



Element without air vents



Product no.: 05450002
Length: 188
Width: 110
Height: 70
Material: polystyrene
Color: light grey/graphite grey
Ingress protection: IP 40
PDF:



DXF:

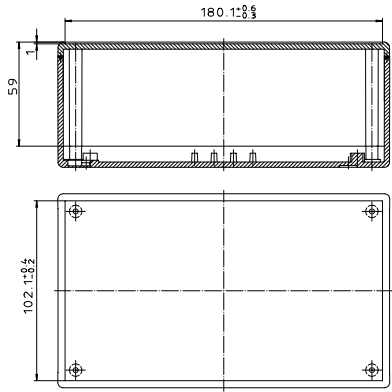


Accessories:

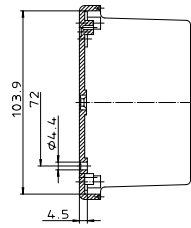
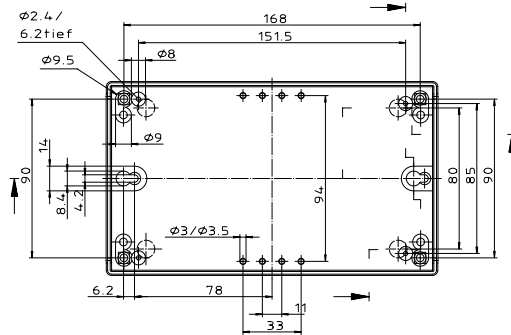
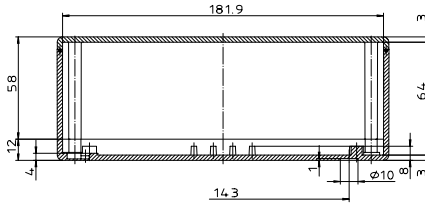
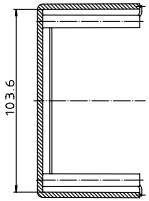
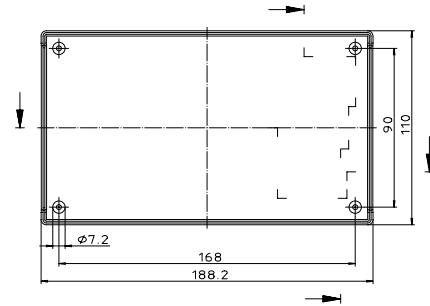
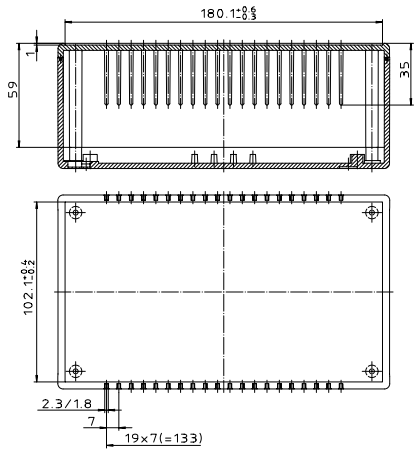
Product no.	Model	Description
25000910	E-DO	Lid fastening at top for Element E 450, for modifications also state lid fixing side
25002000	E-HG	Handle for Element E 450 - E 460
25000300	E-M	Mounting plate for Element E 434 S, E 450 - E470
25002200	E-F	Rubber feet, set = 4 pcs, for Element E 434 S, E 440 - E 470
25001500	E-WL	 Wall brackets for Element E 406 - E 450
22035000	TSH 35	 Universal DIN rail holder

© SOPLA 2002

Ausführung E 450 F



Ausführung E 450 FVL



Maßstab: 1:1	
Zehnr.Nr: 1K 450.019.02	
Artikel: E 450 (F) (FVL)	
Katalogzeichnung	
Best.Nr: 18.08.2002	DISK: 2 801 046
aktuelle Datum:	Datum: 10.08.99 Oct