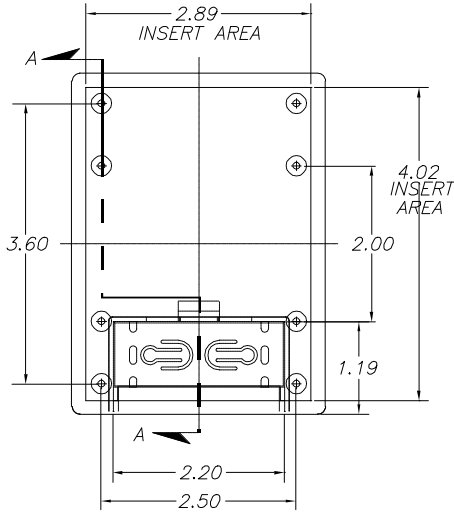
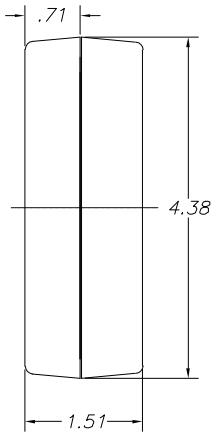
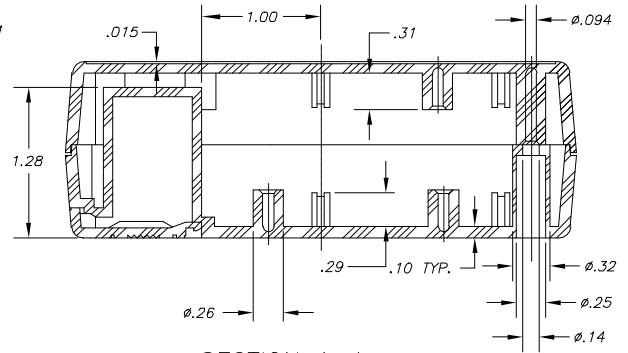
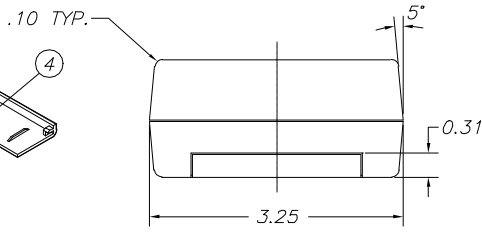
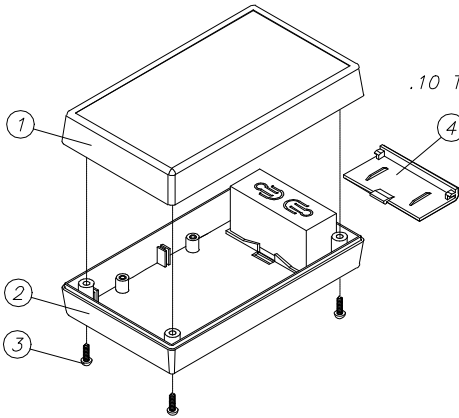
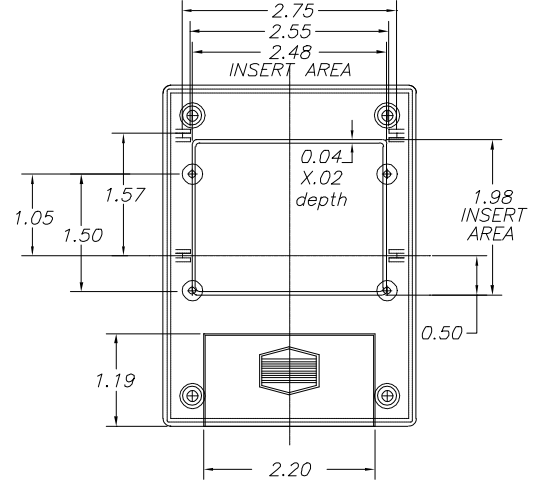


SERPAC 231-1

Electronics Enclosures



NOTES:
 1. WHEN MACHINE OR I PLATES MODIFICATIONS ARE REQUIRED, USE THE CENTER OF THE BOX TO DIMENSION.



SECTION A-A

10-05-98 ALL DIMENSIONS ± .010

ITEM	PART NO.	DESCRIPTION	PART NO.	DESCRIPTION
1	311	PLASTIC TOP	339	PROTOTYPE GRID BOARD (HORIZ.)
2	23	PLASTIC BOTTOM	439	PROTOTYPE CLAD BOARD (HORIZ.)
3	1025	PLASTIC BATTERY COVER	331	PROTOTYPE GRID BOARD (VERT.)
4	6005	SCREWS (4)	431	PROTOTYPE CLAD BOARD (VERT.)
			PC	POCKET CLIP

619 Commercial Ave. Covina, CA 91723
 (626) 331-0517 Fax (626) 331-8584 <http://www.serpac.com>