



starCASE



DESIGNER IP 66 ENCLOSURES

1. Advanced contoured IP 66 enclosures
2. Ideal for housing modern electronics and electrical systems
3. Suitable for wall mounting or portable applications
4. Hinged flush-fitting trims hide the case fixing screws
5. Wall mounting screw shafts also hidden under the trims
6. Two lid retaining straps included
7. Recessed area in the lid for mounting membrane keypads
8. Material: ABS, flame retardant UL 94 V-0
9. Standard colour light grey, RAL 7035
10. Easily customised to suit your components
11. Also available from our [Distributors](#)


FEATURES

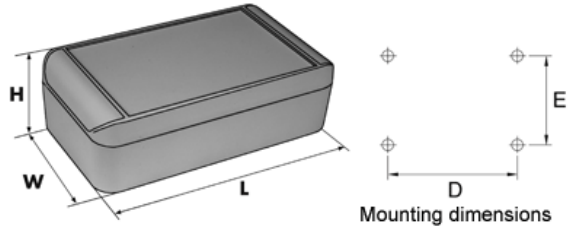




1. Hinged Trims
2. Plastic Lid Retainers
3. Optional Key Lock

starCASE





Mounting dimensions

Part No. starCASE (click for price!)	Type	W	L	H	D	E	Weight	Drawings PDF or DWG Formats
230.090.000	SC 090	90	120	50	99	34	155g	PDF DWG
230.092.000	SC 092	90	160	50	139	34	191g	PDF DWG
230.112.000	SC 112	110	200	60	179	54	346g	PDF DWG
230.130.000	SC 130	130	160	60	139	74	277g	PDF DWG
230.172.000	SC 172	170	280	60	259	114	531g	PDF DWG

TECHNICAL DATA & OPTIONS

Case Mouldings	ABS, Flame Retardant (UL 94 V-0) Light grey, RAL 7035
-----------------------	--

		Fully insulated, VDE 0100
Case Lids Gasket		Silicon moulded gasket Black TPE / Temp range -30°C to 100°C
Lid Fixing Screws		Stainless steel
Ingress Protection		IP 66 / DIN EN 60529
Enclosure Temperature Range		-40°C to +80°C
Modifications		We can supply the enclosures ready for your assemblies by drilling, milling, engraving, painting, silk-screen printing, adding inserts and much more. Just ask us for a quotation. More about customising...

[Request a catalogue](#)

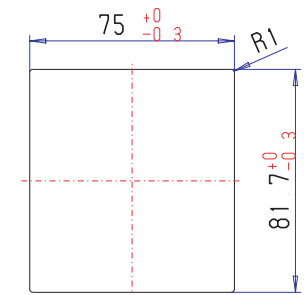
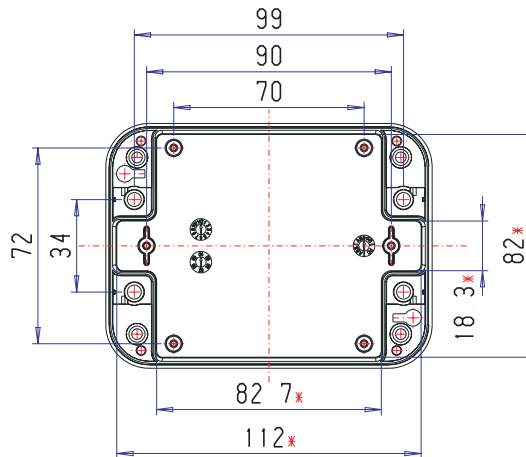
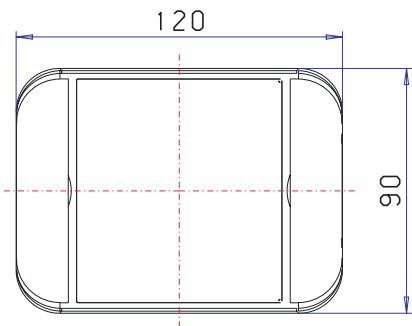
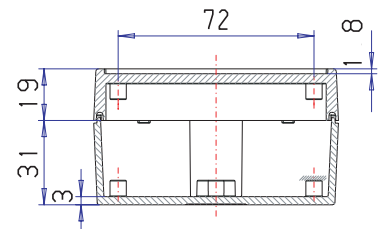
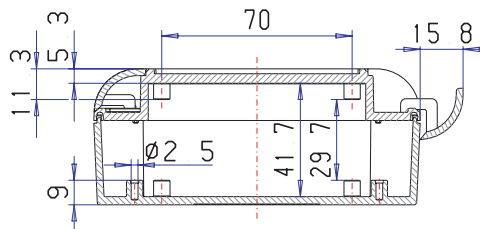
[return to enclosures index](#)

[Request a sample](#)

[Home](#) [About Us](#) [Enclosures](#) [Technical](#) [Service Desk](#) [News](#) [Contact](#)

CALL (01489) 583858

Legal notice: copyright © 2000-2005 OKW Enclosures Ltd, UK. All rights reserved. Rev: 2005.01.04
Rolec ® is the registered trademark of Rolec Gehäuse-Systeme GmbH, Germany.



Folientastatur
Membrane keyboard