

# LBX Eurocard Cases

## APPLICATIONS

These attractive and versatile housings offer a unique range of facilities for mounting standard Eurocards horizontally. There are fourteen sizes available in widths suitable for either 3U or 6U Eurocards, heights of 4HP, 6HP, 12HP or 24HP and depths suitable for 160mm or 220mm Eurocards. Standard IEC 297-3 front panels may be fitted to the LBX allowing card modules from subrack systems to be used in free standing applications.

## CONSTRUCTION

Four corner mouldings form the basis of the construction. These assemble the top and base panels to the two chassis side plates with the aid of eight screws. The mouldings also allow the LBX front panels to be either captured in a slot or fixed using screws provided. Both the top and base panels include 6,3mm (.25 inch) spade terminals which provide for earth continuity within the enclosure. All sizes are provided with nonslip self-adhesive feet. The 220mm card compatible versions allow 160mm boards and connector carriers to be assembled, thus giving space for other components.

## CONNECTOR CARRIERS

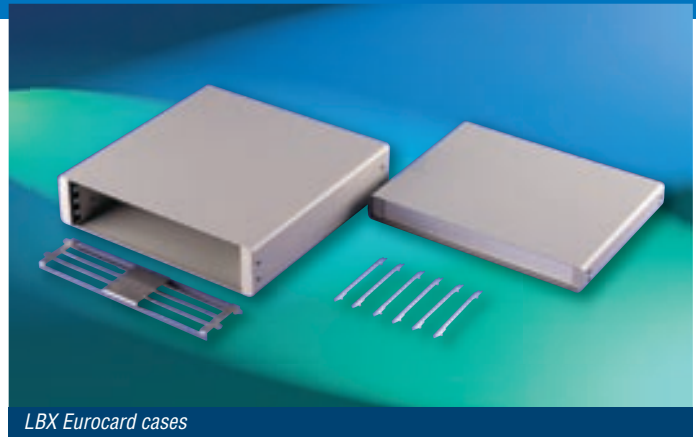
For interconnections between cards there is a full range of connector carrier plates designed for mounting DIN 41612 connectors. Supplied singly.

## CHASSIS PLATES

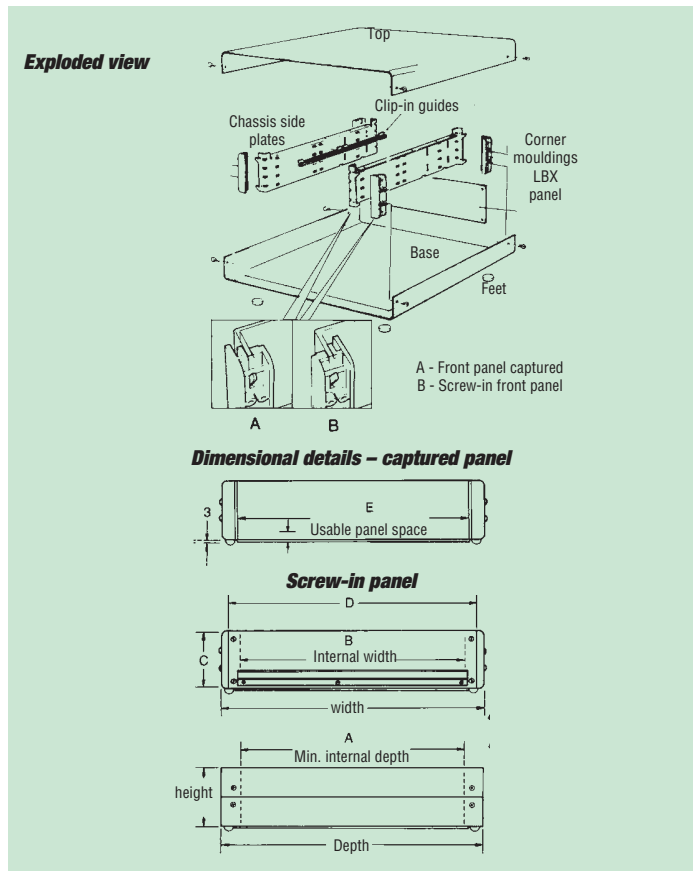
Zintec steel chassis plates are available for the direct mounting of power supplies, cards and other components. Once attached to the chassis side plate a secure sub-assembly is provided. This facilitates system assembly and testing prior to fitting the top and base panels, and thus reduces the risk of paint damage. Supplied singly.

## LBX FRONT PANELS

A single LBX panel is provided with each case and additional LBX panels are available if an existing card module is not being used. Supplied singly.



LBX Eurocard cases



## Ordering information

Height	Case dimensions			Panel dimensions				E	Order code	Order codes – accessories		
	Width	Card depth	Actual depth	A	B	C	D			LBX panel kit	Connector carrier	Chassis plate
4HP (22,2)	3U (143,7)	220	278,6	262,6	103,0	19,9	128,5	110,9	114-52006	114-52097	–	–
	6U (277,1)	220	278,6	262,6	236,4	19,9	261,9	244,3	114-52007	–	–	–
6HP (32,4)	3U (143,7)	160	218,6	262,6	103,0	30,1	128,5	110,9	114-52008	114-52098	114-52090	114-52020
	3U (143,7)	220	278,6	262,6	236,4	30,1	128,5	110,9	114-52010	114-52098	114-52090	–
	6U (277,1)	160	218,6	262,6	103,0	30,1	261,9	244,3	114-52009	114-52102	–	–
	6U (277,1)	220	278,6	262,6	236,4	30,1	261,9	244,3	114-52011	114-52102	–	–
	3U (143,7)	160	218,6	262,6	103,0	60,6	128,5	110,9	114-52012	114-52099	114-52091	114-52020
	3U (143,7)	220	278,6	262,6	236,4	60,6	128,5	110,9	114-52014	114-52099	114-52091	–
12HP (32,4)	6U (277,1)	160	218,6	262,6	103,0	60,6	261,9	244,3	114-52013	114-52103	114-52095	–
	6U (277,1)	220	278,6	262,6	236,4	60,6	261,9	244,3	114-52015	114-52103	114-52095	–
	3U (143,7)	160	218,6	262,6	103,0	121,5	128,5	110,9	114-52016	–	–	114-52020
24HP (32,4)	3U (143,7)	220	278,6	262,6	236,4	121,5	128,5	110,9	114-52018	–	–	–
	6U (277,1)	160	218,6	262,6	103,0	121,5	261,9	244,3	114-52017	–	–	–
	6U (277,1)	220	278,6	262,6	236,4	121,5	261,9	244,3	114-52019	–	–	–