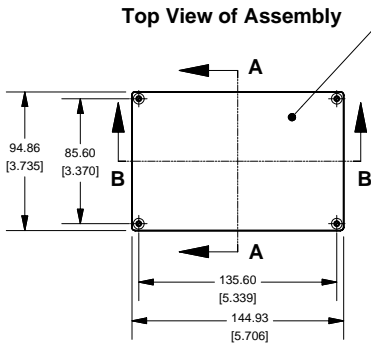


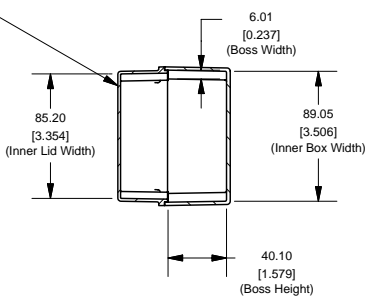
2

1

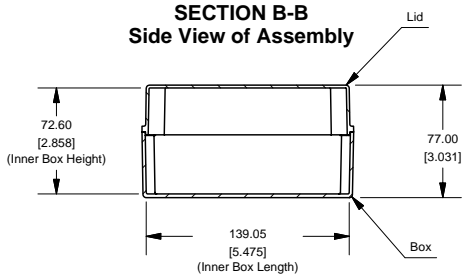
Top View of Assembly



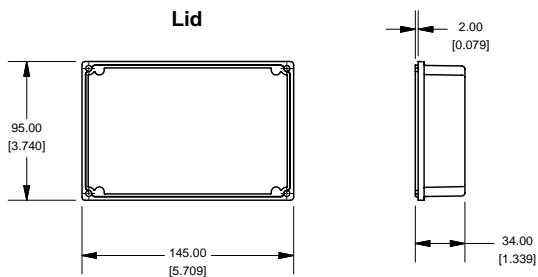
SECTION A-A  
End View of Assembly



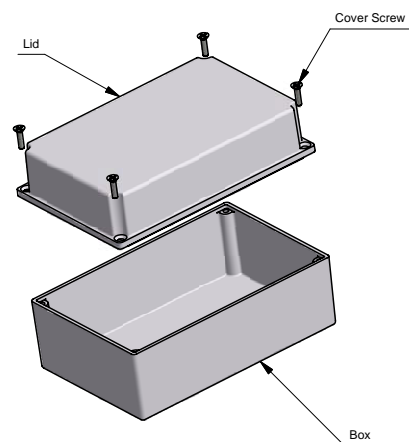
SECTION B-B  
Side View of Assembly



Lid



**Eddystone - Deep Lid  
(10758PDLA)**



PART DESCRIPTION	
Part Number:	10758PDLA
Material:	Diecast Aluminum Alloy
Screw Type:	M3.5 x 6 taptite screws (Includes 4) (Screws accept POZIDRIV No.2 screwdriver)



www.hammondmfg.com

2

1