

SEQUESTER® External Disconnect Enclosure, Type 12



Industry Standards

UL 508A Listed; Type 12; File No. E61997
 cUL Listed per CSA C22.2 No. 94; Type 12; File No. E61997

NEMA/EEMAC Type 12
 CSA File No. 42186: Type 12
 IEC 60529, IP55

Application

Retrofit disconnect enclosures to isolate incoming power and help mitigate arc flash occurrences by moving the disconnect switch to the SEQUESTER® Enclosure. Power is passed-through to the main enclosure.

Features

- Interlocks with doors of main control cabinet when the disconnect switch is powered ON
- Maintains UL Type 12 rating
- Provision for pass-through power into the main cabinet—blank plate for customer modification
- Preferred disconnect cutout
- Quarter-turn screwdriver slot latch
- Hidden hinges
- Bonding provision on door
- Conductive back panel included
- Installation hardware and templates included

Specifications

- 16 gauge steel
- Continuously welded and ground seams all around
- Hinged on right side

Finish

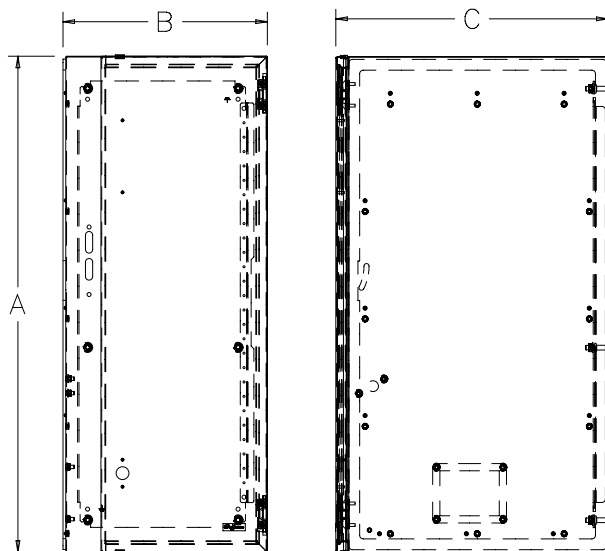
- ANSI 61 gray exterior and interior
- Included back panel has conductive finish

Accessories

See also Accessories.
 Industrial Corrosion Inhibitors
 Touch-Up Paint
Bulletin: A70D

Standard Product **External Disconnect Enclosure including back panel**

Catalog Number	A (in.)	A (mm)	B (in.)	B (mm)	C (in.)	C (mm)
AXD18	34.45	875	14.00	356	18.12	460
AXD20	34.45	875	14.00	356	20.12	511
AXD24	34.45	875	14.00	356	24.12	613



87923295

Optional Terminal Plates

Catalog Number	For
ATBP3060	30 and 60 amp switches
ATBP100	100 amp switches
ATBP200	200 amp switches

IP20 rated

Optional Replacement Conductive Panel

Catalog Number	Panel Size (in.)	Panel Size (mm)	Description
A31P12G	31.00 x 12.16	787 x 309	16 gauge

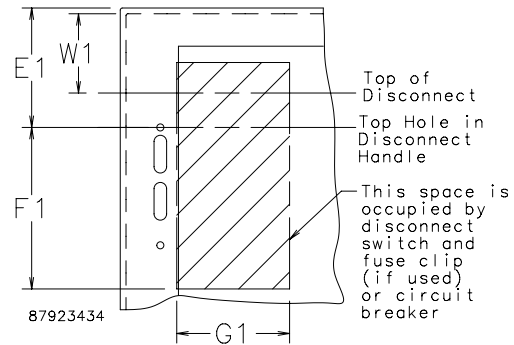
SEQUESTR® External Disconnect Preferred-Cutout Overview

Disconnect Mounting Space

Disconnects are located by dimension E1. Wiring space W1 is available when disconnect is installed in the enclosure. See the Hoffman Specifier's Guide Technical Information chapter for E1 Spacing by Enclosure Height for various disconnect switch manufacturers.

Refer to **National Electrical Code 2005** article 430.10(B) for wiring space required for line side conductors to be connected to disconnect. **Verify your application to determine if wiring space is adequate.**

Consult *Space Occupied by Disconnect* drawing to determine whether the disconnect device you are using will fit the enclosure size you have selected.



Consult disconnect manufacturer or see Disconnect Ordering Information at hoffmanonline.com under Technical Resources for F1 and G1 dimensions of various brands of disconnects.

SEQUESTR® Preferred-Cutout Overview



Application

The SEQUESTR® enclosures have the standard preferred cutout on the left-hand flange. They accept left-hand 1494V Allen-Bradley variable-depth devices and left-hand Class 9422 Square D variable-depth devices.

SEQUESTR cutouts are designed to house the following:
Allen-Bradley Bulletin 1494V DSX left-hand disconnect switches with flange-mount variable depth operating mechanisms and Bulletin 1494V flange-mount variable-depth operating mechanisms for circuit breakers.
These enclosures will NOT accept Allen-Bradley Bulletin 1494F disconnect devices or Bulletin 1494D circuit breaker operators.

Schneider Square D Class 9422 disconnect switches with flange-mount left-hand variable-depth operating mechanisms and Class 9422 flange-mount left-hand variable-depth operating mechanisms for circuit breakers.

These enclosures will NOT accept Square D Class 9422 bracket-mounted disconnect devices, Class 9422TGI or TG2 devices.

Ordering

Disconnect switch (or circuit breakers), operating handle and operating mechanism are not furnished with enclosure. Consult the Hoffman Specifier's Guide Technical Information chapter for wire bend information and hoffmanonline.com for disconnect manufacturer information. Consult drawings to match the disconnect device you are using with the correct enclosure size.

A complete assembly consists of:

1. An Enclosure
2. Door interlock brackets
3. Door latching system (2-point on SEQUESTR Enclosure, 3-point on main control cabinet doors)
4. Instructions to locate and install disconnect
5. Grounding hardware kit
6. Conductive panel in SEQUESTR External Disconnect Enclosure