



- Polyamide hand held enclosure for MCR- and automation engineering
- Large fitting space
- Version with closed or front frame cover
- Rear battery compartment
- Optional EMC version with internal coating and EMC seal

#### **Included in delivery**

Double-skinned enclosure with top and base unit, each with fixing domes, battery compartment cover, fastening and enclosure screws

#### **Technical data**

##### **Material:**

polyamide

##### **Ingress protection:**

IP 65, EN 60529

##### **Impact resistance:**

> 7 Joule, DIN 50014

##### **Flammability:**

HB / UL 94

##### **Colour:**

base and lid: RAL 7021, black grey

rear cover: RAL 5003, sapphire blue

##### **Temperature range:**

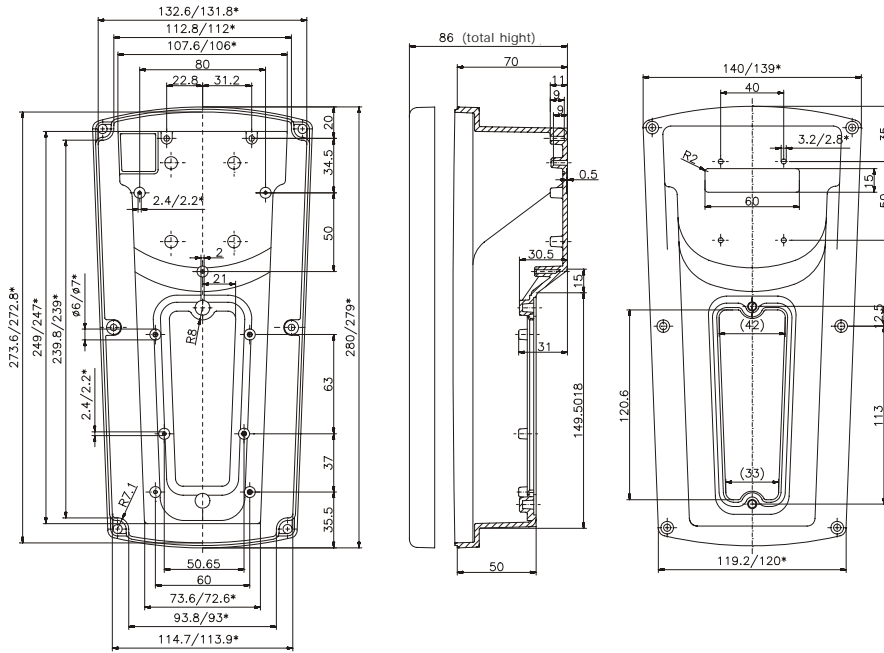
-40°C to +60°C



Dimensions



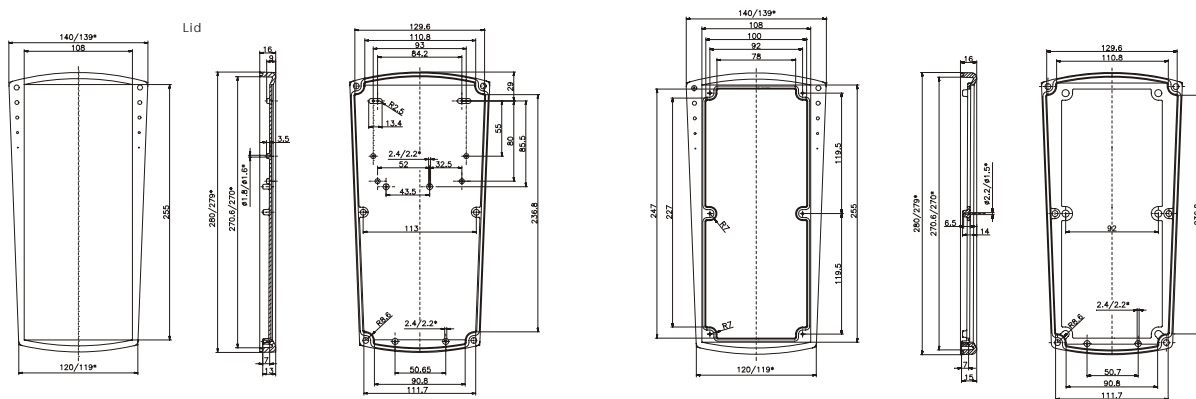
Type	Version	Order No.
Pilot 250/1	closed	29.25 00 01
Pilot 250/2	lid frame	29.25 00 02



\* = Concial form tapering downwards

Closed lid

Lid frame



Pilot 250



Pilot with membrane keypad



Rear cover



Large mounting space for electronic assemblies



Wall fixing device



Magnetic holder



Cable gland