

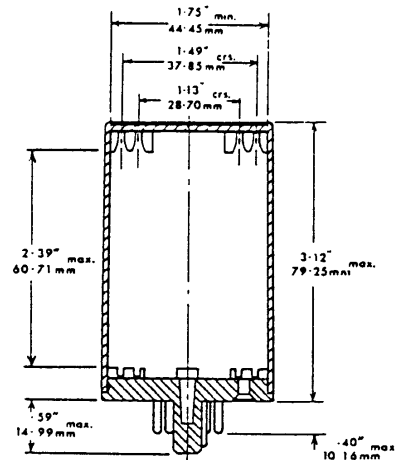
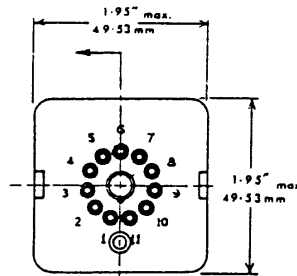
Plug-in Modules

301 - 760
301 + 796

An 8 pin 'Octal' plug or an 11 pin 'Submagal' plug with a clip-on black or transparent polycarbonate cover. Suitable for use with one to four 1/16" thick printed wiring boards (1.58" wide by 2.70" long max). For use with sockets X8 U, B8/UPM, XP11U, or B11/UPM.



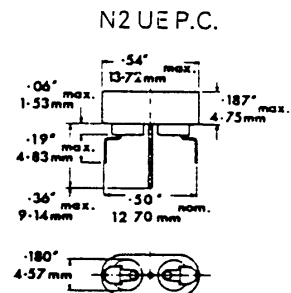
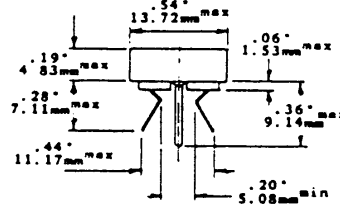
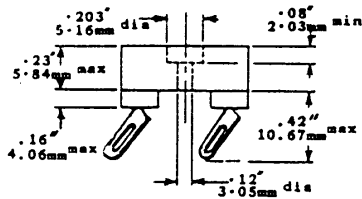
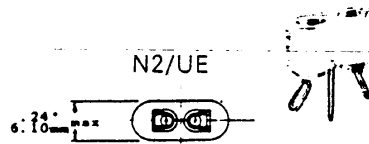
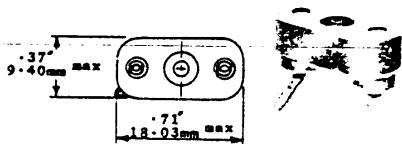
Base 8 pin MP 4583
Base 11 pin MP 4580
Covers (8 or 11 pin)
Black MP 4581
Transparent MP 4595



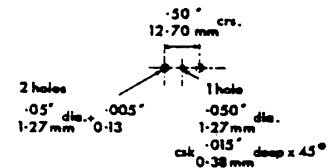
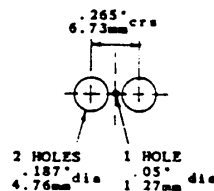
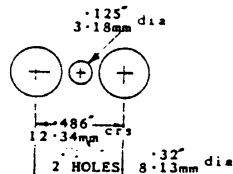
Quartz Crystal Sockets

X2/UG-TN (tin)
X2/UG-SPTDC (silver)
Moulded in Nylon PF, for crystal style 'D'
having pins .050" dia. spaced .486"
1.27 12.34

N2/UE-TN (tin) or -SPTDC (silver). Solder tails.
N2 UE P.C. - TN (tin). Printed wiring tails.
Moulded in Nylon subminiature style for crystal 'K'
having pins .040" dia. spaced .192"
1.02 4.88



MOUNTING DETAILS



Details contained in this catalogue are correct at the time of going to press. McMurdo reserve the right to modify the connectors without prior notification.

March 1979

The McMurdo Instrument Co Ltd

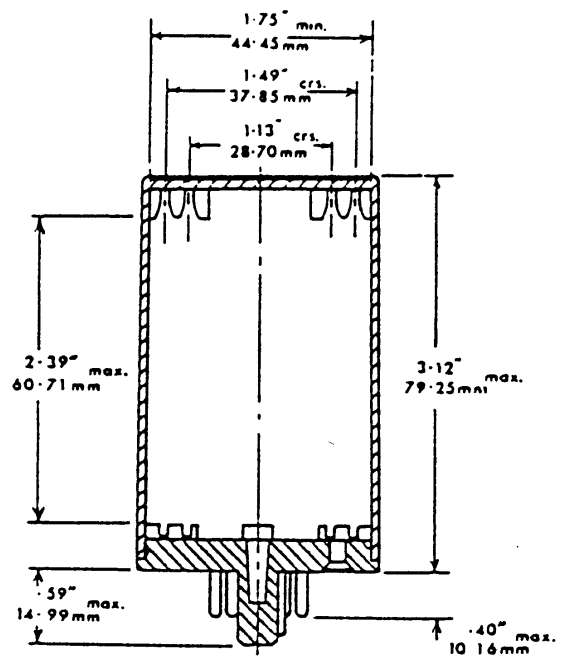
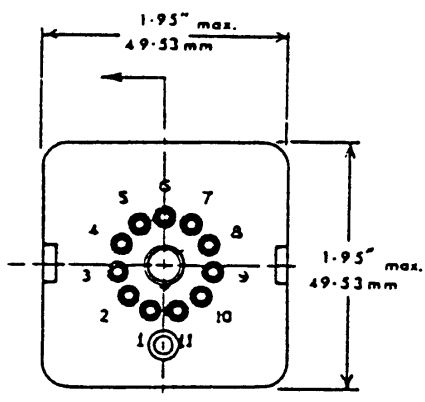
Rodney Road, Portsmouth, Hampshire PO4 8SG.
Telephone: Portsmouth 735361 (STD Code 0705) Telex 86112

301 + 760
 301 + 796

rules

or an 11 pin 'Submagnal' plug with a clip-on black or transparent polycarbonate with one to four 1/16" thick printed wiring boards (1.58" wide by 2.70" long max). 3U, B8/UPM, XP11U, or B11/UPM.

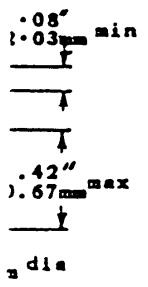
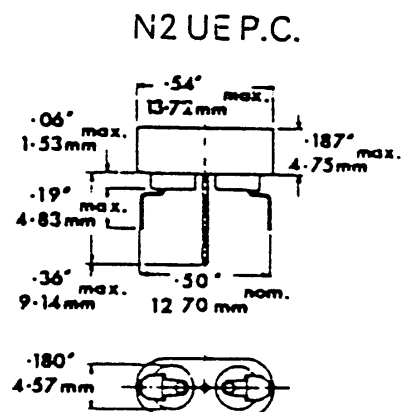
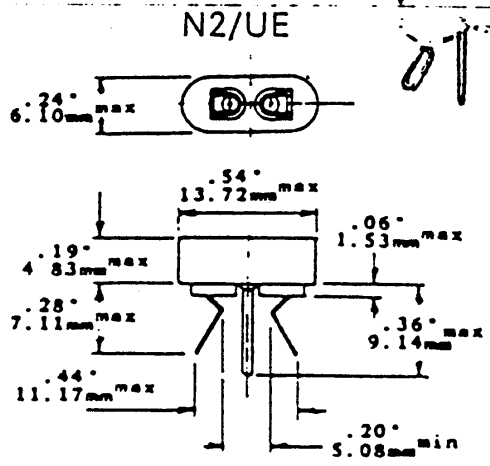
- Base 8 pin MP 4583
- Base 11 pin MP 4580
- Covers (8 or 11 pin)
- Black MP 4581
- Transparent MP 4595

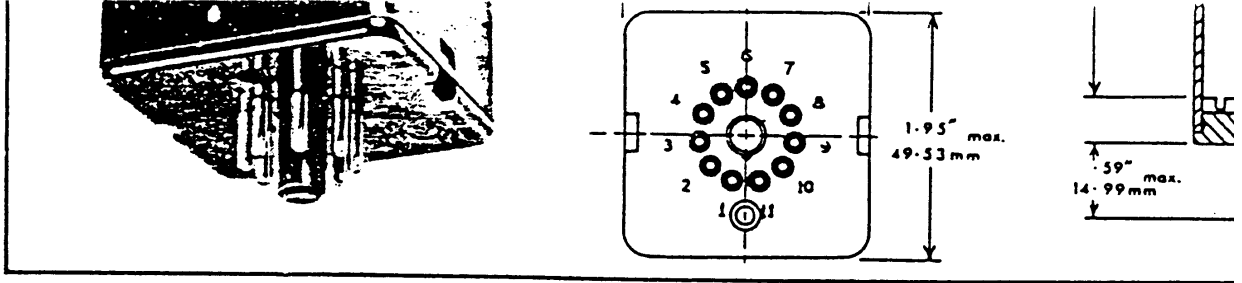


Crystal Sockets

for crystal style 'D'
 spaced .486"
 12-34

N2/UE-TN (tin) or -SPTDC (silver). Solder tails.
 N2 UE P.C. - TN (tin). Printed wiring tails.
 Moulded in Nylon subminiature style for crystal 'K'
 having pins .040" dia. spaced .192"
 1-02 4-88

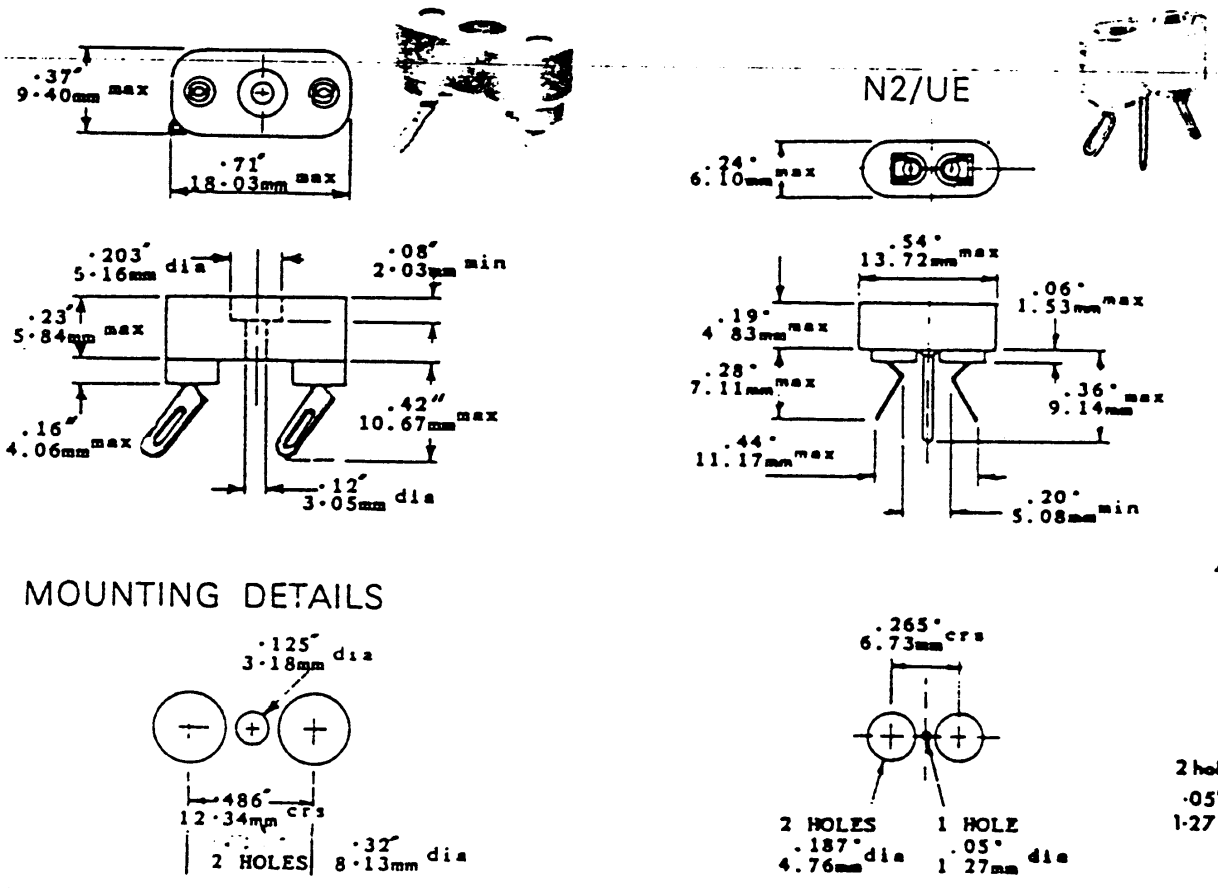




Quartz Crystal Sockets

X2/UG-TN (tin)
 X2/UG-SPTDC (silver) ;
 Moulded in Nylon PF, for crystal style 'D'
 having pins .050" dia. spaced .486"
 1-27 12-34

N2/UE-TN (tin) or -SPTI
 N2 UE P.C. - TN (tin). Pri
 Moulded in Nylon submir
 having pins .040" dia. sp
 1-02



Details contained in this catalogue are correct at the time of going to press. McMurdo reserve the right to modify the connectors without prior notification.

The McMurdo Instrument Co Ltd

Rodney Road, Portsmouth, Hampshire PO4 8SG.

Telephone: Portsmouth 735361 (STD Code 0705) Telex 86112