

Hoffman WATERSHED®, Type 4X



Industry Standards

Mounting brackets required to meet UL/cUL external mounting requirement.

UL 508A Listed; Type 4, 4X, 12; File Number E61997
cUL Listed per CSA C22.2 No 94; Type 4, 4X, 12; File Number E61997

NSF 169
NEMA/EEMAC Type 4, 4X, 12
IEC 60529, IP66

Application

Specifically designed for use in sanitary washdown production environments, particularly food and beverage manufacturing. Hoffman WATERSHED® Enclosures feature a sloped top, sloped door edges, bullet-style hinges and additional unique features that facilitate washdown runoff.

Specifications

- Manufactured from 14 gauge Type 304 stainless steel
- Seams continuously welded and ground smooth
- Smooth Type 304 stainless steel lift-off bullet-style hinges
- Hinges are shielded by door
- Hinged side of door has provisions to allow direct flushing of hinge area
- 20-degree sloped top facilitates runoff of water and cleaning solutions and prohibits the placement of objects on the top of the enclosure
- 170-degree door opening
- Door edges are sloped 20-degrees at top and bottom edges to facilitate runoff
- Slanted flange trough collar prohibits pooling of fluids along the top edge of the enclosure opening
- Stainless steel quarter-turn latches furnished with flush slotted insert
- Seamless foam-in-place gasket
- Self-grounding latch system with double seal
- Bonding provision on door; grounding stud on body
- Panel studs fit optional NEMA style panels
- Mounting holes in back of body for direct mounting, optional stand-off kit or mounting bracket kit
- Furnished hardware kit consists of panel mounting nuts, grounding hardware and sealing washers for wall-mounting holes

Finish

External surfaces have a #4 brushed finish.

Accessories

See also Accessories.

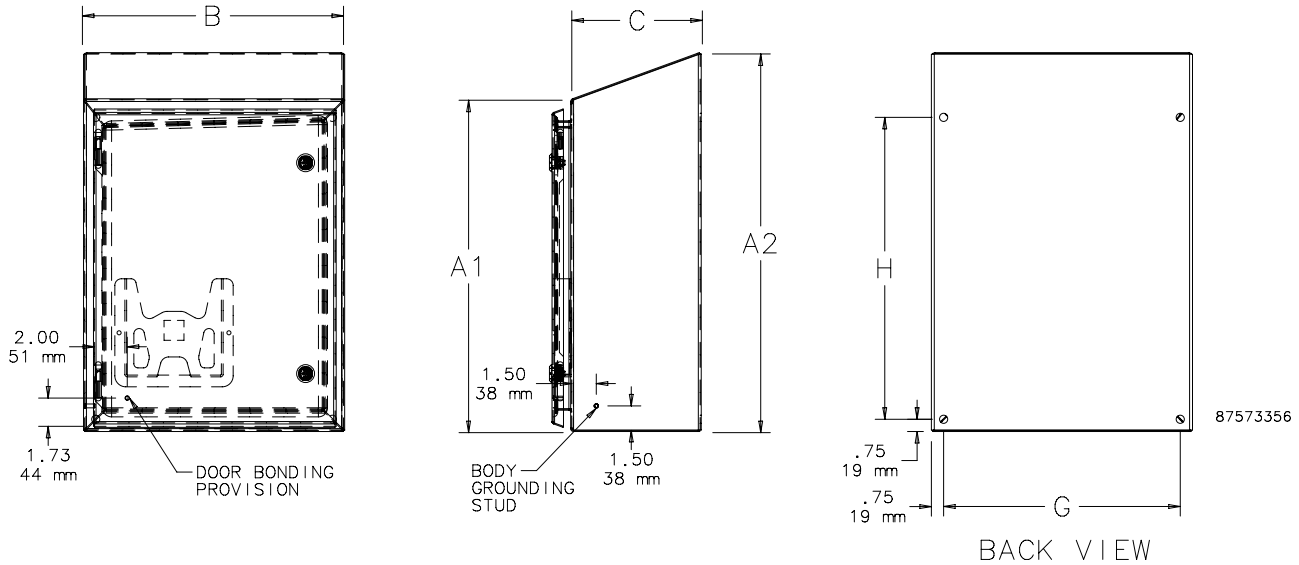
Mounting Bracket Kit
Panels for Type 3R, 4, 4X, 12 and 13 Enclosures
Stand-Off Kit
Padlocking Handle Kit
Padlocking Latch Kit
H₂OMIT™ Vent Drains, Type 4X
H₂OMIT™ Thermoelectric Dehumidifier

Bulletin: WS1

Standard Product

Catalog Number	AxBxC in./mm	Panel	Conductive Panel	A1 in./mm	A2 in./mm	B in./mm	C in./mm	G in./mm	H in./mm	Latch Qty.
WS161208SS	16.00 x 12.00 x 8.00	A16P12	A16P12G	16.20	19.10	12.00	8.00	10.50	14.50	2
	406 x 305 x 203			411	485	305	203	267	368	
WS161608SS	16.00 x 16.00 x 8.00	A16P16	A16P16G	16.30	19.20	16.00	8.00	14.50	14.50	2
	406 x 406 x 203			414	488	406	305	368	368	
WS201608SS	20.00 x 16.00 x 8.00	A20P16	A20P16G	20.30	23.20	16.00	8.00	14.50	18.50	2
	508 x 406 x 203			516	589	406	203	368	470	
WS202008SS	20.00 x 20.00 x 8.00	A20P20	A20P20G	20.40	23.31	20.00	8.00	18.50	18.50	2
	508 x 508 x 203			518	592	508	203	470	470	
WS242008SS	24.00 x 20.00 x 8.00	A24P20	A24P20G	24.40	27.31	20.00	8.00	18.50	22.50	2
	610 x 508 x 203			620	694	508	203	470	572	
WS242408SS	24.00 x 24.00 x 8.00	A24P24	A24P24G	24.51	27.41	24.00	8.00	22.50	22.50	4
	610 x 610 x 203			623	696	610	203	572	572	
WS302408SS	30.00 x 24.00 x 8.00	A30P24	A30P24G	30.51	33.41	24.00	8.00	22.50	28.50	4
	762 x 610 x 203			785	849	610	203	572	724	
WS303008SS	30.00 x 30.00 x 8.00	A30P30	A30P30G	30.67	33.57	30.00	8.00	28.50	28.50	4
	762 x 762 x 203			779	853	762	203	724	724	
WS363008SS	36.00 x 30.00 x 8.00	A36P30	A36P30G	36.67	39.57	30.00	8.00	28.50	34.50	5
	914 x 762 x 203			931	1005	762	203	724	876	
WS201612SS	20.00 x 16.00 x 12.00	A20P16	A20P16G	20.30	24.66	16.00	12.00	14.50	18.50	2
	508 x 406 x 305			516	626	406	305	368	470	
WS202012SS	20.00 x 20.00 x 12.00	A20P20	A20P20G	20.40	24.76	20.00	12.00	18.50	18.50	2
	508 x 508 x 305			518	629	508	305	470	470	
WS242412SS	24.00 x 24.00 x 12.00	A24P24	A24P24G	24.51	28.87	24.00	12.00	22.50	22.50	4
	610 x 610 x 305			623	733	610	305	572	572	
WS302412SS	30.00 x 24.00 x 12.00	A30P24	A30P24G	30.51	34.87	24.00	12.00	22.50	28.50	4
	762 x 610 x 305			775	886	610	305	572	724	
WS363012SS	36.00 x 30.00 x 12.00	A36P30	A36P30G	36.67	41.03	30.00	12.00	28.50	34.50	5
	914 x 762 x 305			931	1042	762	305	724	876	
WS363612SS	36.00 x 36.00 x 12.00	A36P36	A36P36G	36.82	41.18	36.00	12.00	34.50	34.50	5
	914 x 914 x 305			935	1046	914	305	876	876	
WS363016SS	36.00 x 30.00 x 16.00	A36P30	A36P30	36.82	42.64	30.00	16.00	28.50	34.50	5
	914 x 762 x 406			935	1083	762	406	724	876	
WS483616SS	48.00 x 36.00 x 16.00	A48P36	A48P36G	48.82	54.64	36.00	16.00	34.50	46.50	5
	1219 x 914 x 406			1240	1388	914	406	876	1181	
WS603616SS	60.00 x 36.00 x 16.00	A60P36	A60P36G	60.82	66.64	36.00	16.00	34.50	58.50	5
	1524 x 914 x 406			1545	1693	914	406	876	1486	

Purchase panels separately. Optional stainless steel, conductive or aluminum panels are available.
WS603616SS back is 10 gauge stainless steel.



Mounting Bracket Kit

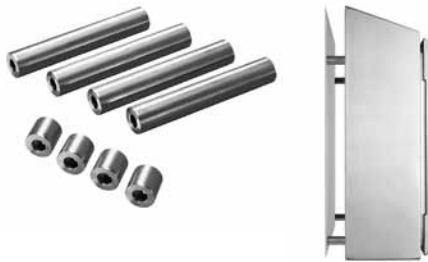


Type 304 stainless steel brackets are field-installable. Brackets maintain Type 4X rating. All hardware is included. Four brackets per kit. Top brackets must be mounted to the sides of enclosure.

Bulletin: A80

Catalog Number	Description
CMFKSS	Type 304 stainless steel mounting bracket kit

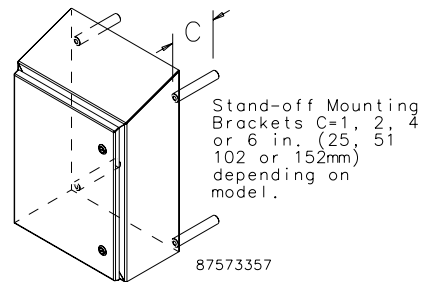
Stand-Off Kit



Stand-offs provide space between wall-mount enclosure and wall for better washdown accessibility. Maintains Type 4X rating. Sealing washers included. Four stand-offs per kit.

Bulletin: WSY

Catalog Number	C (in.)	C (mm)
WSSOK1SS	1.00	25
WSSOK2SS	2.00	51
WSSOK4SS	4.00	102
WSSOK6SS	6.00	152



Padlocking Handle Kit



Type 304 stainless steel padlocking handle for use on Hoffman WATERSHED® Wall-Mount Enclosures. Maintains Type 4X rating.

Bulletin: WSY

Catalog Number	Description
WSHPL	Stainless Steel Padlocking Handle

Padlocking Latch Kit



Type 304 stainless steel padlocking latch for use on Hoffman WATERSHED® Wall-Mount Enclosures. Maintains Type 4X rating.

Bulletin: WSY

Catalog Number	Description
WSLPL	Padlocking Latch Kit



Stainless Steel: Hoffman WATERSHED® Wall-Mount Enclosures and Accessories
Hoffman WATERSHED® Wall-Mount Enclosures and Accessories

Notes