



Quick connections

Available with or without fuse

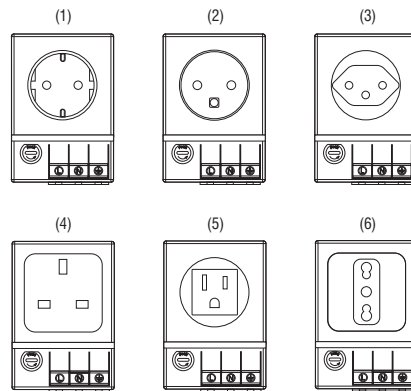
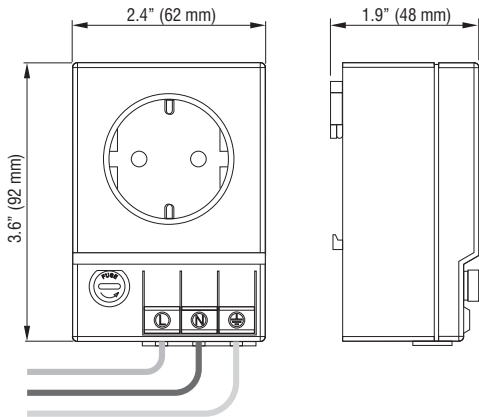
DIN rail mountable

The DIN rail mounted electrical receptacle can be quickly fitted and connected in enclosures allowing the use of auxiliary products such as hand lamps and power tools. The unit is available with and without fuse, and in many world outlet standards.



Technical Data

Connection	3 cage clamps for solid and stranded wire AWG 20-14 (0.5-2.5mm ²)
Housing	plastic, UL94 V-0, light grey
Mounting	clip for 35mm DIN rail, EN 60 715
Mounting position	vertical
Operating / Storage temperature	-49 to +158°F (-45 to 70°C)
Dimensions	3.6 x 2.4 x 1.9" (92 x 62 x 48mm)
Weight	approx. 7.1 oz. (200g)
Protection class	I (grounded)
Protection type	IP20



Part No.	Operating Voltage max.	Socket	Model	Nominal Current	Approvals
03500.0-00	250VAC	Germany/Russia (1)	with fuse*	6.3A	-
03500.0-01	250VAC	Germany/Russia (1)	without fuse	16.0A	-
03501.0-00	250VAC	France/Poland (2)	with fuse*	6.3A	-
03501.0-01	250VAC	France/Poland (2)	without fuse	16.0A	-
03502.0-00	250VAC	Switzerland (3)	with fuse*	6.3A	-
03502.0-01	250VAC	Switzerland (3)	without fuse	10.0A	-
03503.0-00	250VAC	UK/Ireland (4)	with fuse*	6.3A	-
03503.0-01	250VAC	UK/Ireland (4)	without fuse	13.0A	-
03504.0-00	125VAC	USA/Canada (5)	with fuse*	6.3A	UL File No. E222026
03504.0-01	125VAC	USA/Canada (5)	without fuse	15.0A	UL File No. E222026
03505.0-00	250VAC	Italy (6)	with fuse*	6.3A	-
03505.0-01	250VAC	Italy (6)	without fuse	16.0A	-

* fuse Ø 5 x 20 mm

Specifications are subject to change without notice. Suitability of this product for its intended use and any associated risks must be determined by the end customer/ buyer in its final application.