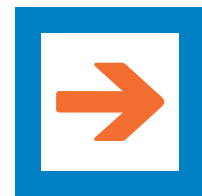


Fibox EK

EK enclosures are the ideal solution for applications requiring either single or modular configurations. EK enclosures feature one or more flange openings, permitting modular assembly of multiple units, and easy management of wiring with a wide assortment of accessory flange plates.



EK



Modular structure



Wide accessory selection



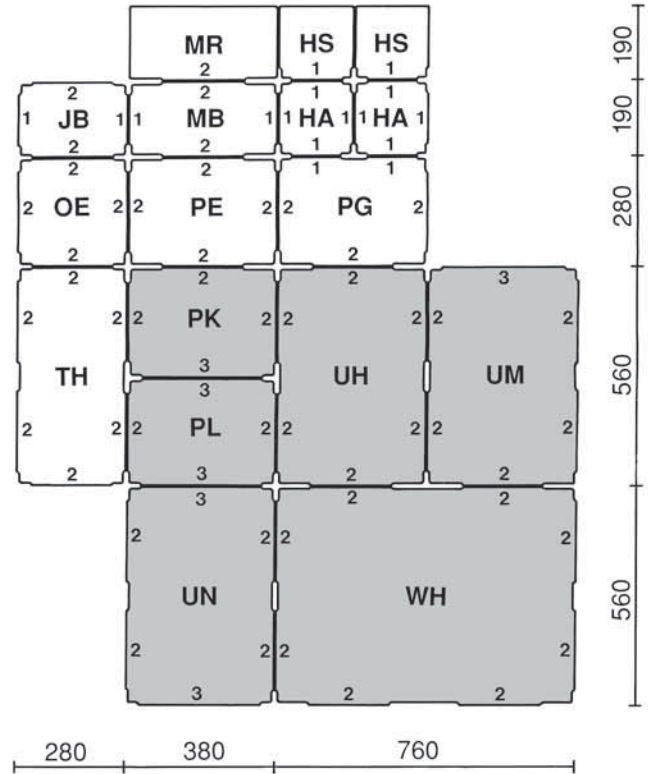
RoHS compliant and halogen-free

Fibox EK

Order symbol	Base dimensions mm
EKHA	190 x 190 x 100
EKHS	190 x 190 x 100
EKJB	280 x 190 x 100
EKMB	380 x 190 x 100
EKMR	380 x 190 x 100
EKOE	280 x 280 x 100
EKPE	380 x 280 x 100
EKPG	380 x 280 x 100
EKPK	380 x 280 x 150
EKPL	380 x 280 x 150
EKTH	560 x 280 x 100
EKUH	560 x 380 x 150
EKUM	560 x 380 x 150
EKUN	560 x 380 x 150
EKWH	760 x 560 x 150

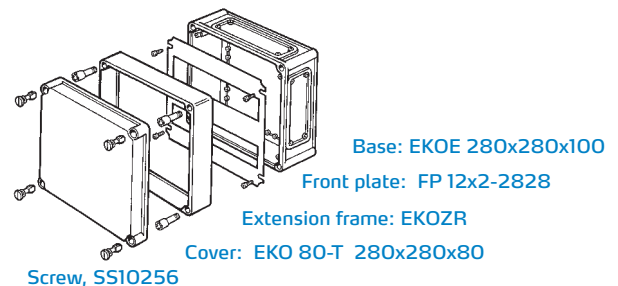
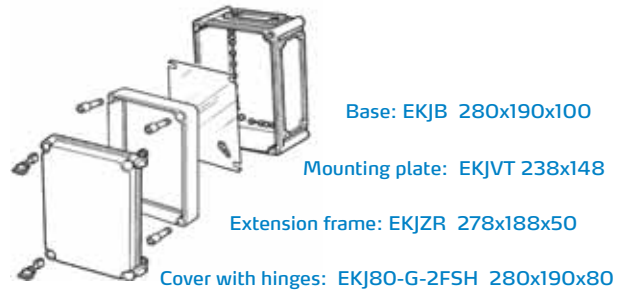


The bases marked with the gray color have a depth of 150 mm and the others are 100 mm. The number on the side of the base indicates the size of the flange plate.



Example of the assembly of one enclosure

The size of the whole enclosure according to the letter:
The enclosure sized (280x190x230) can be assembled as follows:





EK
EKH

7.5 x 7.5

UL Type 1, 3, 3S, 4, 4X, 6, 6P and 12

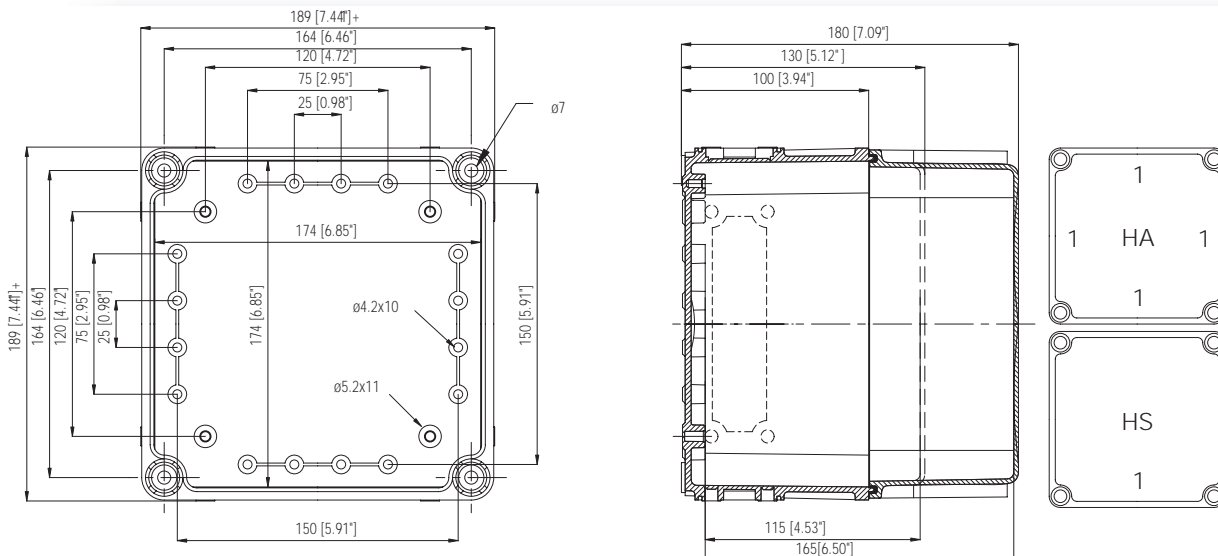
Including: Base with flange openings, hardware screws for accessory mounting, cover with PUR gasket and polyamide cover screws.

Enclosures

Order symbol	UL Order symbol	Dimensions inch	Dimensions mm	Description
EKHA 130 G	UL EKHA 130 G	7.5 x 7.5 x 5.1	190 x 190 x 130	Enclosure, PC • Opaque cover
EKHA 180 G	UL EKHA 180 G	7.5 x 7.5 x 7.1	190 x 190 x 180	Enclosure, PC • Opaque cover
EKHA 130 T	UL EKHA 130 T	7.5 x 7.5 x 5.1	190 x 190 x 130	Enclosure, PC • Transparent cover
EKHA 180 T	UL EKHA 180 T	7.5 x 7.5 x 7.1	190 x 190 x 180	Enclosure, PC • Transparent cover
EKHS 130 G	UL EKHS 130 G	7.5 x 7.5 x 5.1	190 x 190 x 130	Enclosure, PC • Opaque cover
EKHS 180 G	UL EKHS 180 G	7.5 x 7.5 x 7.1	190 x 190 x 180	Enclosure, PC • Opaque cover
EKHS 130 T	UL EKHS 130 T	7.5 x 7.5 x 5.1	190 x 190 x 130	Enclosure, PC • Transparent cover
EKHS 180 T	UL EKHS 180 T	7.5 x 7.5 x 7.1	190 x 190 x 180	Enclosure, PC • Transparent cover

Accessories

Order symbol	Dimensions inch	Dimensions mm	Description
EKHVT	5.8 x 5.8	148 x 148	Back Panel
EKV 12	1.4 x 6.3	35 x 160	DIN-35 Mounting rail



EK
EKJ

11.0 x 7.5

UL Type 1, 3, 3S, 4, 4X, 6, 6P and 12

Including: Base with flange openings, hardware screws for accessory mounting, cover with PUR gasket and polyamide cover screws.

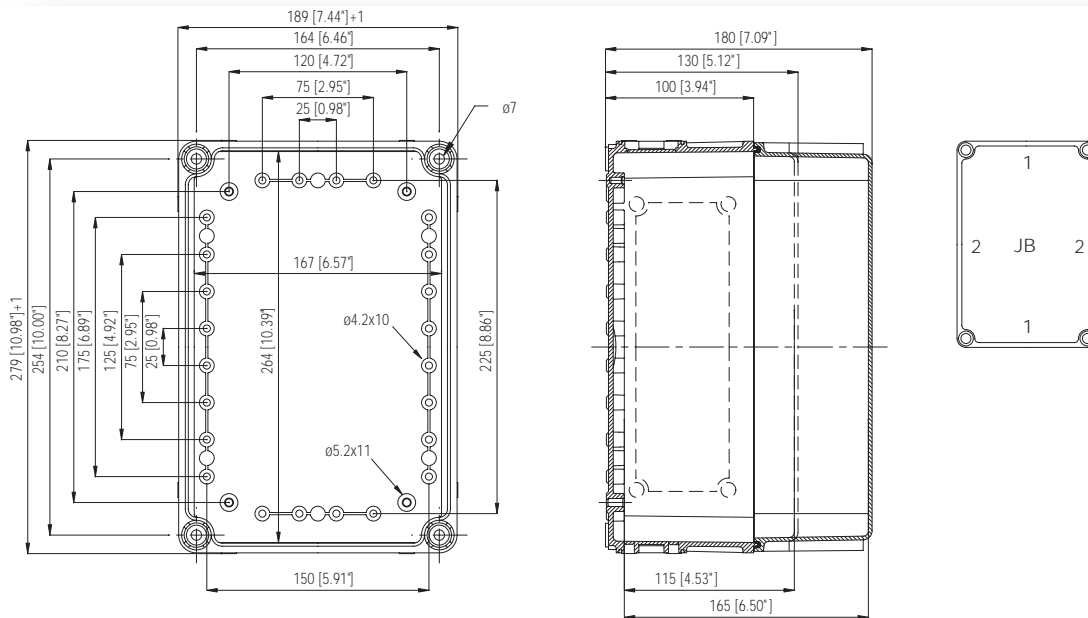


Enclosures

Order symbol	UL Order symbol	Dimensions inch	Dimensions mm	Description
EKJB 130 G	UL EKJB 130 G	11 x 7.5 x 5.1	280 x 190 x 130	Enclosure, PC • Opaque cover
EKJB 180 G	UL EKJB 180 G	11 x 7.5 x 7.1	280 x 190 x 180	Enclosure, PC • Opaque cover
EKJB 130 T	UL EKJB 130 T	11 x 7.5 x 5.1	280 x 190 x 130	Enclosure, PC • Transparent cover
EKJB 180 T	UL EKJB 180 T	11 x 7.5 x 7.1	280 x 190 x 180	Enclosure, PC • Transparent cover

Accessories

Order symbol	Dimensions inch	Dimensions mm	Description
EKJVT	9.4 x 5.8	238 x 148	Back Panel
EKV 12	1.4 x 6.3	35 x 160	DIN-35 Mounting rail
EKV 22	1.4 x 9.3	35 x 235	DIN-35 Mounting rail
EKJZR	10.9 x 7.4 x 2	278 x 188 x 50	Extension frame





EK
EKM

15.0 x 7.5

UL Type 1, 3, 3S, 4, 4X, 6, 6P and 12

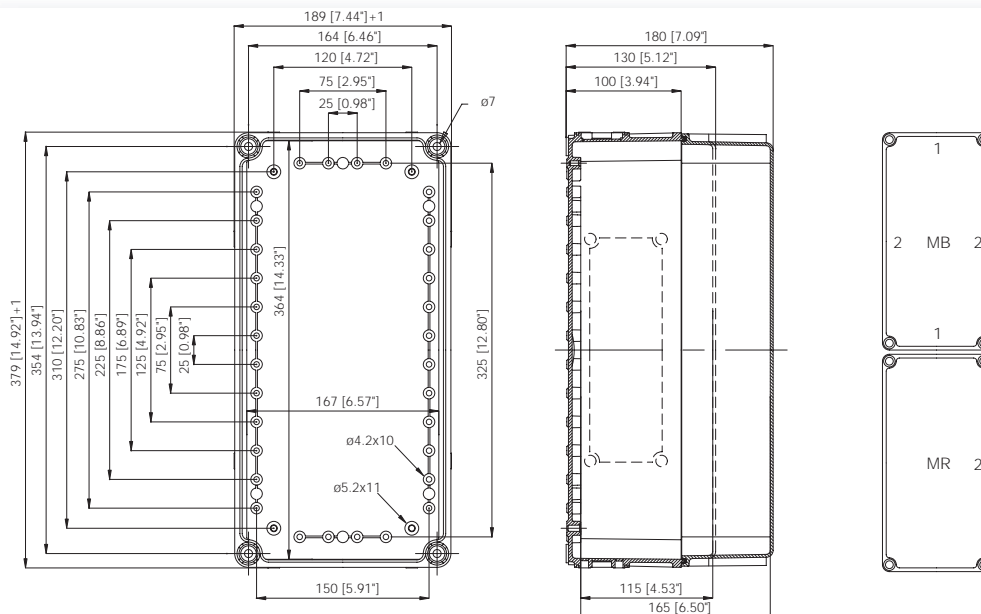
Including: Base with flange openings, hardware screws for accessory mounting, cover with PUR gasket and polyamide cover screws.

Enclosures

Order symbol	UL Order symbol	Dimensions inch	Dimensions mm	Description
EKMB 130 G	UL EKMB 130 G	15 x 7.5 x 5.1	380 x 190 x 130	Enclosure, PC • Opaque cover
EKMB 180 G	UL EKMB 180 G	15 x 7.5 x 7.1	380 x 190 x 180	Enclosure, PC • Opaque cover
EKMB 130 T	UL EKMB 130 T	15 x 7.5 x 5.1	380 x 190 x 130	Enclosure, PC • Transparent cover
EKMB 180 T	UL EKMB 180 T	15 x 7.5 x 7.1	380 x 190 x 180	Enclosure, PC • Transparent cover
EKMR 130 G	UL EKMR 130 G	15 x 7.5 x 7.1	380 x 190 x 180	Enclosure, PC • Opaque cover
EKMR 180 G	UL EKMR 180 G	15 x 7.5 x 7.1	380 x 190 x 180	Enclosure, PC • Opaque cover
EKMR 130 T	UL EKMR 130 T	15 x 7.5 x 5.1	380 x 190 x 130	Enclosure, PC • Transparent cover
EKMR 180 T	UL EKMR 180 T	15 x 7.5 x 7.1	380 x 190 x 180	Enclosure, PC • Transparent cover

Accessories

Order symbol	Dimensions inch	Dimensions mm	Description
EKMVT	13.3 x 5.8	338 x 148	Back Panel
EKV 12	1.4 x 6.3	35 x 160	DIN-35 Mounting rail
EKV 32	1.4 x 13.2	35 x 335	DIN-35 Mounting rail
EKMZR	14.9 x 7.4 x 2	378 x 188 x 50	Extension frame



EK EKO

11.0 x 11.0

UL Type 1, 3, 3S, 4, 4X, 6, 6P and 12



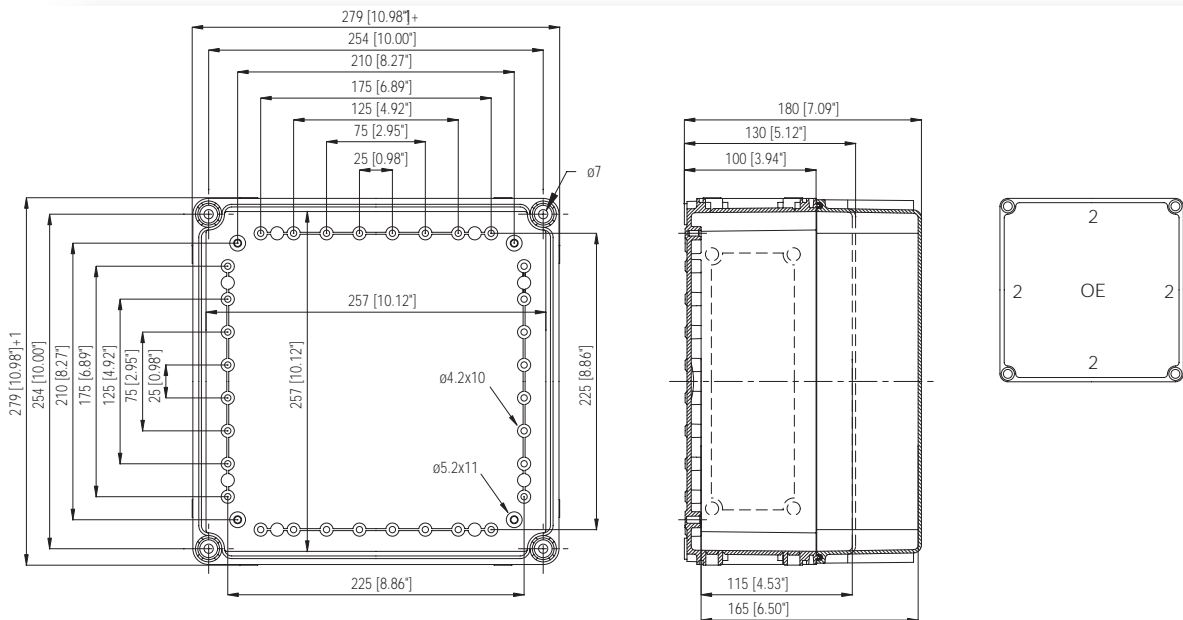
Including: Base with flange openings, hardware screws for accessory mounting, cover with PUR gasket and polyamide cover screws.

Enclosures

Order symbol	UL Order symbol	Dimensions inch	Dimensions mm	Description
EKOE 130 G	UL EKOE 130 G	11 x 11 x 5.1	280 x 280 x 130	Enclosure, PC • Opaque cover
EKOE 180 G	UL EKOE 180 G	11 x 11 x 7.1	280 x 280 x 180	Enclosure, PC • Opaque cover
EKOE 130 T	UL EKOE 130 T	11 x 11 x 5.1	280 x 280 x 130	Enclosure, PC • Transparent cover
EKOE 180 T	UL EKOE 180 T	11 x 11 x 7.1	280 x 280 x 180	Enclosure, PC • Transparent cover

Accessories

Order symbol	Dimensions inch	Dimensions mm	Description
EKOVT	9.4 x 9.4	238 x 238	Back Panel
EKV 22	1.4 x 9.3	35 x 235	DIN-35 Mounting rail
EKOZR	10.9 x 10.9 x 2	278 x 278 x 50	Extension frame



EK EKPK, EKPL

15.0 x 11.0

UL Type 1, 3, 3S, 4, 4X, 6, 6P and 12



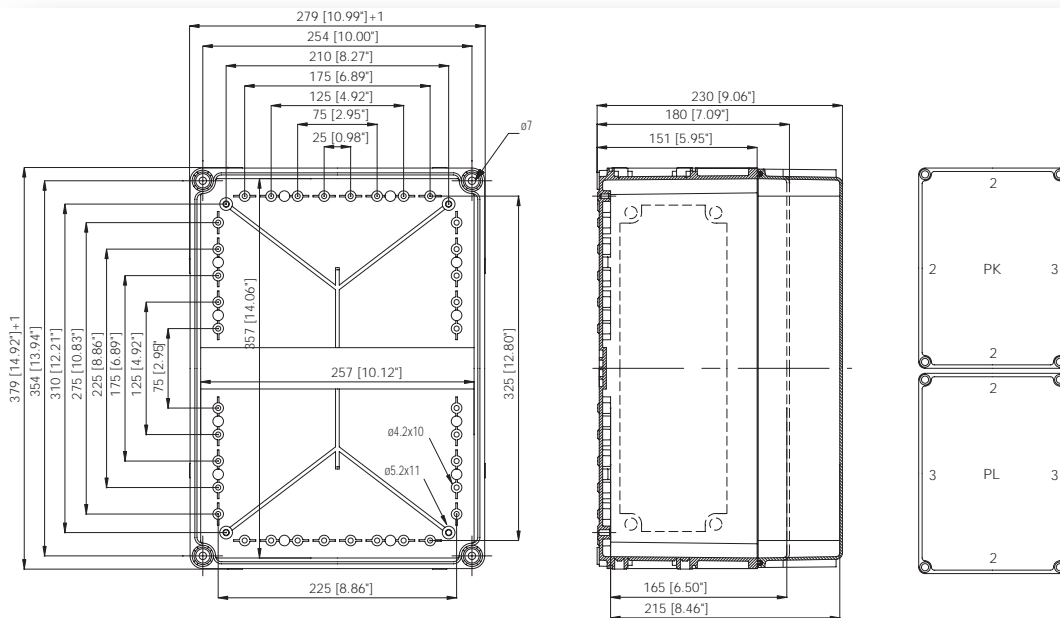
Including: Base with flange openings, hardware screws for accessory mounting, cover with PUR gasket and polyamide cover screws.

Enclosures

Order symbol	UL Order symbol	Dimensions inch	Dimensions mm	Description
EKPK 180 G	UL EKPK 180 G	15 x 11 x 7.1	380 x 280 x 180	Enclosure, PC • Opaque cover
EKPK 230 G	UL EKPK 230 G	15 x 11 x 9.1	380 x 280 x 230	Enclosure, PC • Opaque cover
EKPK 180 T	UL EKPK 180 T	15 x 11 x 7.1	380 x 280 x 180	Enclosure, PC • Transparent cover
EKPK 230 T	UL EKPK 230 T	15 x 11 x 9.1	380 x 280 x 230	Enclosure, PC • Transparent cover
EKPL 180 G	UL EKPL 180 G	15 x 11 x 7.1	380 x 280 x 180	Enclosure, PC • Opaque cover
EKPL 230 G	UL EKPL 230 G	15 x 11 x 9.1	380 x 280 x 230	Enclosure, PC • Opaque cover
EKPL 180 T	UL EKPL 180 T	15 x 11 x 7.1	380 x 280 x 180	Enclosure, PC • Transparent cover
EKPL 230 T	UL EKPL 230 T	15 x 11 x 9.1	380 x 280 x 230	Enclosure, PC • Transparent cover

Accessories

Order symbol	Dimensions inch	Dimensions mm	Description
EKPVT	13.3 x 9.4	338 x 238	Back Panel
EKV 22	1.4 x 9.3	35 x 235	DIN-35 Mounting rail
EKV 32	1.4 x 13.2	35 x 335	DIN-35 Mounting rail
EKPZR	14.9 x 10.9 x 2	378 x 278 x 50	Extension frame





EK
EKT

22.0 x 11.0

UL Type 1, 3, 3S, 4, 4X, 6, 6P and 12

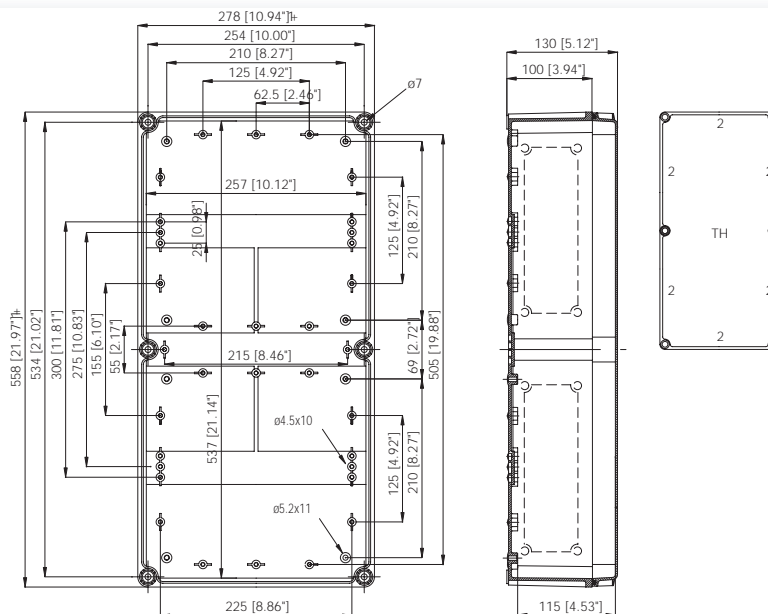
Including: Base with flange openings, hardware screws for accessory mounting, cover with PUR gasket and polyamide cover screws.

Enclosures

Order symbol	UL Order symbol	Dimensions inch	Dimensions mm	Description
EKTH 130 G	UL EKTH 130 G	22 x 11 x 5.1	560 x 280 x 130	Enclosure, PC • Opaque cover
EKTH 130 T	UL EKTH 130 T	22 x 11 x 5.1	560 x 280 x 130	Enclosure, PC • Transparent cover

Accessories

Order symbol	Dimensions inch	Dimensions mm	Description
EKTVT	20.4 x 9.4	518 x 238	Back Panel
EKV 22	1.4 x 9.3	35 x 235	DIN-35 Mounting rail
EKV 50	1.4 x 19.7	35 x 500	DIN-35 Mounting rail
EKTZR	22 x 10.9 x 2	558 x 278 x 50	Extension frame



CAD files available at www.fiboxusa.com

EK EKU

22.0 x 15.0

UL Type 1, 3, 3S, 4, 4X, 6, 6P and 12

Including: Base with flange openings, hardware screws for accessory mounting, cover with PUR gasket and polyamide cover screws.

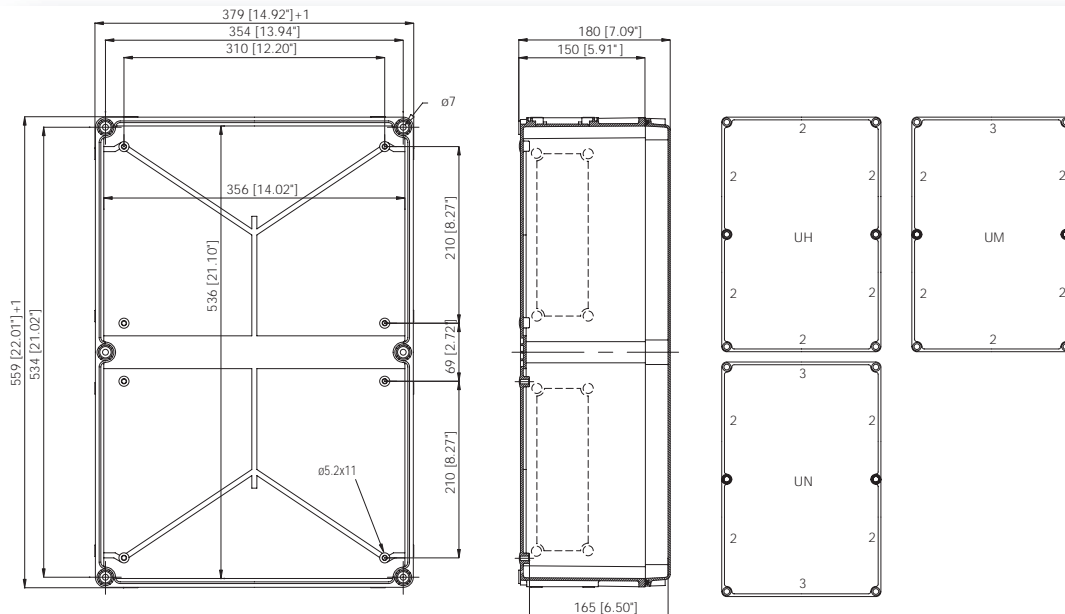


Enclosures

Order symbol	UL Order symbol	Dimensions inch	Dimensions mm	Description
EKUH 180 G	UL EKUH 180 G	22 x 15 x 7.1	560 x 380 x 180	Enclosure, PC • Opaque cover
EKUH 180 T	UL EKUH 180 T	22 x 15 x 7.1	560 x 380 x 180	Enclosure, PC • Transparent cover
EKUM 180 G	UL EKUM 180 G	22 x 15 x 7.1	560 x 380 x 180	Enclosure, PC • Opaque cover
EKUM 180 T	UL EKUM 180 T	22 x 15 x 7.1	560 x 380 x 180	Enclosure, PC • Transparent cover
EKUN 180 G	UL EKUN 180 G	22 x 15 x 7.1	560 x 380 x 180	Enclosure, PC • Opaque cover
EKUN 180 T	UL EKUN 180 T	22 x 15 x 7.1	560 x 380 x 180	Enclosure, PC • Transparent cover

Accessories

Order symbol	Dimensions inch	Dimensions mm	Description
EKUVT	20.4 x 13.3	518 x 338	Back Panel
DR 316	1.4 x 12.4	35 x 316	DIN-35 Mounting rail
EKUZR	22 x 14.9 x 2	558 x 378 x 50	Extension frame





EK
EKW

29.9 x 22.0

UL Type 1, 3, 3S, 4, 4X, 6, 6P and 12

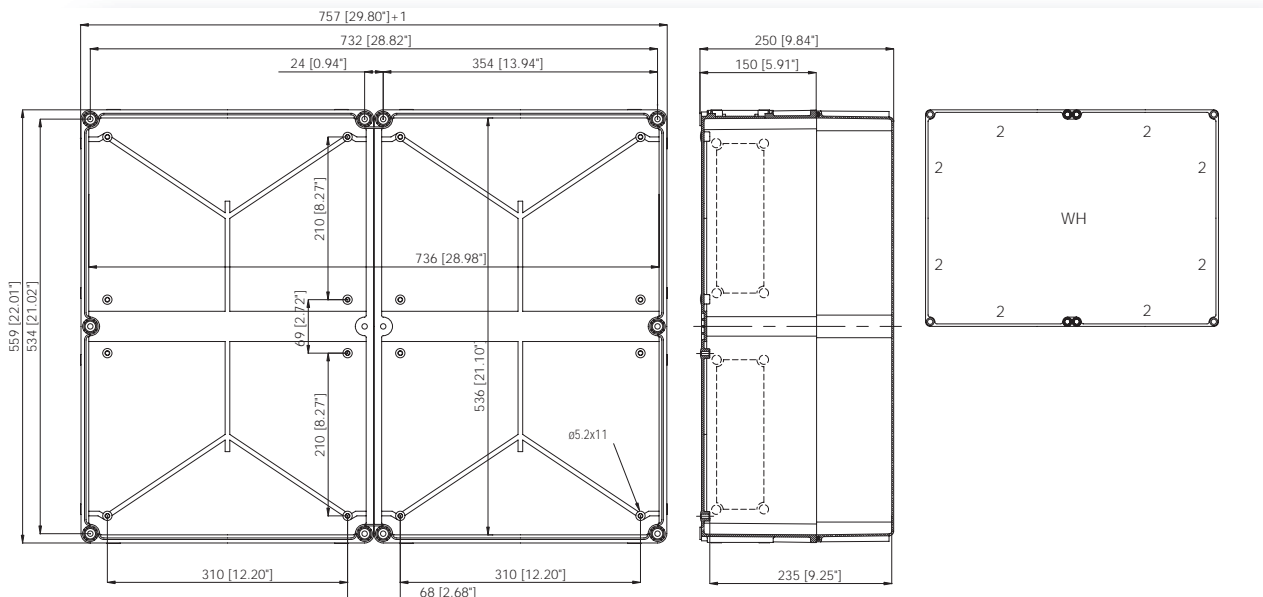
Including: Base with flange openings, hardware screws for accessory mounting, cover with PUR gasket and polyamide cover screws.

Enclosures

Order symbol	UL Order symbol	Dimensions inch	Dimensions mm	Description
EKWH 250 G	UL EKWH 250 G	29.9 x 22 x 9.8	760 x 560 x 250	Enclosure, PC • Opaque cover

Accessories

Order symbol	Dimensions inch	Dimensions mm	Description
EKUVT	20.4 x 13.3	518 x 338	Back Panel



ACCESSORIES

Order symbol Description

Back Panels (Galvanized steel, sheet thickness 1,5 mm)

EKHVT	5.8 x 5.8 inch • 148 x 148 mm
EKJVT	9.4 x 5.8 inch • 238 x 148 mm
EKMVT	13.3 x 5.8 inch • 338 x 148 mm
EKOVT	9.4 x 9.4 inch • 238 x 238 mm
EKPVT	13.3 x 9.4 inch • 338 x 238 mm
EKTVT	20.4 x 9.4 inch • 518 x 238 mm
EKUVT	20.4 x 13.3 inch • 518 x 338 mm

DIN-35 Mounting rails (Galvanized steel, rail height 7,5 mm)

EKV 12	1.4 x 6.3 inch • 35 x 160 mm
EKV 22	1.4 x 9.3 inch • 35 x 235 mm
EKV 32	1.4 x 13.2 inch • 35 x 335 mm
EKV 50	1.4 x 19.7 inch • 35 x 500 mm

Mounting rail accessories

MSM PT 5x10	Mounting screw
MB 10686	Kit of 2 spacers including screws • (15/34 mm)

DIN rail frames

MS PROF 19	DIN rail frames
MS PROF 28	DIN rail frames
MS PROF 38	DIN rail frames
MS PROF 56	DIN rail frames
EKT PROF 56	DIN rail frames

Extension frames (Polycarbonate, PUR Gasket)

EKJZR	10.9 x 7.4 x 2 inch • 278 x 188 x 50 mm
EKMZR	14.9 x 7.4 x 2 inch • 378 x 188 x 50 mm
EKOZR	10.9 x 10.9 x 2 inch • 278 x 278 x 50 mm
EKPZR	14.9 x 10.9 x 2 inch • 378 x 278 x 50 mm
EKTZR	22 x 10.9 x 2 inch • 558 x 278 x 50 mm
EKUZR	22 x 14.9 x 2 inch • 558 x 378 x 50 mm

Hinges and wall mounting

MB 10622	PC Hinge set, 1 pair • incl. screws and drill template
MB 10523	Blind plug for cover corner on hinged side when cover screws are not used
MB 10674	Mounting foot kit (4 pcs) • incl. screws

Cover screws

HS 10255	Wing head • for 30 mm cover
CS 10256	Cross head • for 30/100 mm cover
SS 10535	Slotted head (sealable) • for 30 mm cover
SS 10544	Slotted head (quick-lock) • for 30/100 mm cover
HS 10533	Wing head (quick-lock) • for 30 mm cover
HS 10532	Quick-locking wing head (hinged) • for 30 mm cover
MB 10534	Threaded bushing • to be ordered separately with quick-lock screws
SS 10563	Cross head • for 80 mm cover
HS 10562	Wing head • for 80 mm cover
DS 10581	Triangle head • for 30/80/100 mm cover
MB 10673 SET	Triangular key • for cover screw DS 10581
SS 10256-4	Set of 4 cross head screws • for 30/100 mm cover
SS 10256-6	Set of 6 cross head screws • for 30/100 mm cover
SS 10563-4	Set of 4 cross head screws • for 80 mm cover



ACCESSORIES

Order symbol	Description
--------------	-------------

Spacers for corners of the base

MR 10726	Spacer 15 mm • M6 self-cutting
MR 10727	Spacer 20 mm • M6 self-cutting
MR 10728	Spacer 30 mm • M6 self-cutting
MR 10729	Spacer 54 mm • M6 self-cutting
HR 10	Extension for MR spacer • 10 mm, M6/M6
HR 15	Extension for MR spacer • 15 mm, M6/M6
HR 20	Extension for MR spacer • 20 mm, M6/M6
HR 30	Extension for MR spacer • 30 mm, M6/M6

Spacers for middle mounting pods

FA 12053	Spacer 14 mm • M5 self-cutting
FA 12052	Spacer 42 mm • M5 self-cutting

Key-Lock Set

MB 10597	Lock and two keys • For 30mm covers only
----------	--

Connecting enclosures

MB 10671	Connector kit incl. 4 screws • size 1
MB 10670	Connector kit incl. 4 screws • size 2
MB 10672	Connector kit incl. 4 screws • size 3
MB 10472	Plastic head screw (M6x30) for the assembly of bases • with size 1 opening
MB 10474	Plastic head screw (M8x30) for the assembly of bases • with size 2 opening
M-6	Lock nut for plastic head screws • (Size M6)
M-8	Lock nut for plastic head screws • (Size M8)

Plates and connectors (More products on Cable Management section)

MB 10215	Cover plate • size 1
MB 10546	Cover plate • size 2

Metric flange plates

MB 10862	Size 2 • 2xM16+3xM20+2xM25+2xM32, PUR gasket
MB 10857	Size 2 • 4xM12+4xM12/M20+4xM16/M25

PG Flange plates

MB 10014	Size 2 • 12x PG16
MB 10596	Size 2 • 4x PG11/21+7x PG16

Membrane flange plates

FMB 5F	Size 1, Lead-through 8 (Ø2.5-25mm) • Optional RJ-45 lead-through
FMC 25F	Size 2, Lead-through 29 (Ø3-26mm) • Optional RJ-45 lead-through

Connector kits

MB 10671	Connector kit incl. 4 screws • size 1
MB 10670	Connector kit incl. 4 screws • size 2

Flange gaskets

MK 10437	Flange gasket • size 1
MK 10438	Flange gasket • size 2



EK technical information

Property	Polycarbonate (PC)
Ingress Protection (EN 60529)	IP 66/IP 67
Impact Resistance (EN 62262)	IK 08 (side surface) IK 09 (front surface)
Temperature Range Celsius (short term)	-40° . . 120°C
Temperature Range Fahrenheit (short term)	-40° . . 250°F
Temperature Range Celsius (continuous)	-40° . . 80°C
Temperature Range Fahrenheit (continuous)	-40° . . 175°F
Electrical Insulation	Totally insulated B
Light Gray Parts Color	RAL 7035 Industry Gray
Transparent Clear PC Cover	Clear transparent
Cover Screws	RAL 7035
Cover Screws	Polyamide (PA)
Gasket	PUR/EPDM
Enclosure Flammability Rating	Complies with UL 508
Glow Wire Test (IEC 695-2-1) Self-extinguishing (PC)	960°C
Non-toxicity	Halogen Free
UV resistance	Complies with UL 508
Chemical Resistance *	Good

Conformity to standards

USA Enclosures for Electrical Equipment
UL Type 1, 3, 3S, 4, 4X, 6, 6P and 12; UL File E75645

Canada Industrial Control Equipment
Enclosures for Electrical Equipment/cUL

Europe Empty enclosures for low-voltage switchgear and controlgear assemblies EN 62208:2003 (50298:1998)

Europe Safety of Information Technology Equipment
EN 60950
RoHS directive 2002/95/EC

Russia GostR - Gost Russian certificate of conformity

Data subject to change without notice.

*Consult separate raw material data for more detailed information