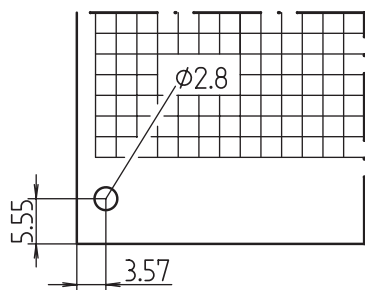
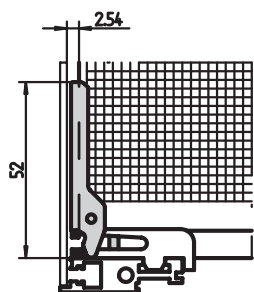
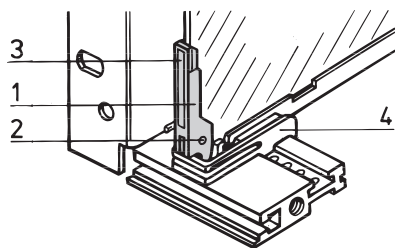


PB accessories

Printed board handle A




- Assembly behind front panels
- Only use printed board handle in conjunction with printed board retainer A (60817-097)
- Insertion and extraction function
- Labelling option

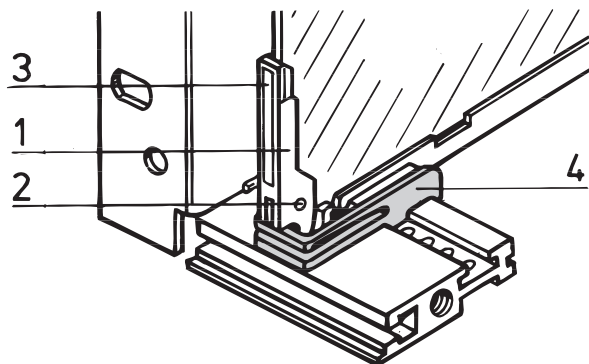
Order Information

Item	Description	Material	Colour	Qty / PU	Order no.
1	Printed board handle A	PBTP, UL94V-0	red	SPQ 1) 10 pieces	60817-096
2	Pivot pin	Stainless steel	-	100	21100-671
3	Identification strip	Polyester film self-adhesive	mat-silver	100	21100-672

1) Delivery may be in standard pack quantity: Please order 10 pieces of printed board handles or a multiple. Pricing is per individual item

 For further information www.schroff.biz/oneclick
oneClick code = Order no.

Printed board retainer A



- Can also be used without printed board handle
- Can be assembled on upper and lower horizontal rail


Order Information

Item	Description	Material	Colour	Qty	Order no.
4	Printed board retainer A for top and bottom (not for europacPRO)	PPO, UL 94 V-0	red	SPQ 1) 10 pieces	60817-097

1) Delivery may be in standard pack quantity: Please order 10 pieces of printed board retainers or a multiple. Pricing is per individual item.

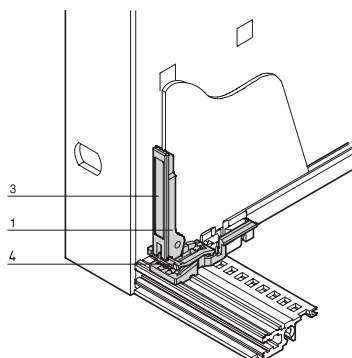
Note

- Not usable:
 - for europac PRO, ratiopac PRO
 - for guide rails with screw connection
 - for guide blocks
 - for front light weight horizontal rails with clipped in cover plate
- Minimum spacing of guide rail 3 HP

 For further information www.schroff.biz/oneclick
oneClick code = Order no.

PB accessories

Printed board handle europacPRO/ ratiopacPRO

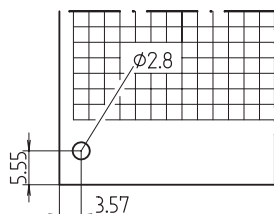
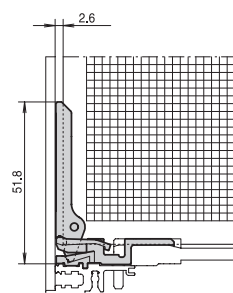


- Assembly behind front panels
- Printed board handle can only be used in conjunction with printed board retainer A (64560-377)
- Insertion and extraction function
- Labelling option

Order Information

Item	Description	Material	Colour	Qty / PU	Order no.
1	Printed board handle with integrated assembly pin	PBT, UL 94 V-0	red	10	24560-378
3	Identification strip (1 sheet = 438 pieces)	Polyester film self-adhesive	white/matt	1	60817-228

BPA45909



Note

- Can only be used together with guide rails europac PRO for accessories
- Minimum spacing of guide rail 3 HP

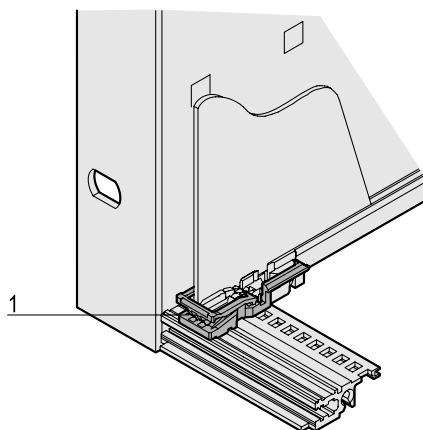
BPA45910



For further information www.schroff.biz/oneclick
oneClick code = Order no.

BZA42724

Printed board retainer europacPRO/ ratiopacPRO



- Can also be used without printed board handle
- Can be assembled on upper and lower horizontal rail

Order Information

Item	Description	Material	Colour	Qty / PU	Order no.
1	Printed board retainer europacPRO, PBT, UL 94 V-0, red	PBTP, UL 94 V-0	red	10	24560-377

Note

- Minimum spacing of the guide rail 3 HP
- Not usable on cases propac, compac, inpac

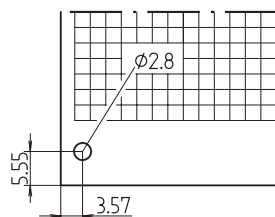
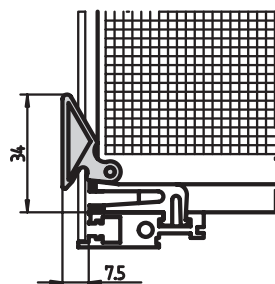
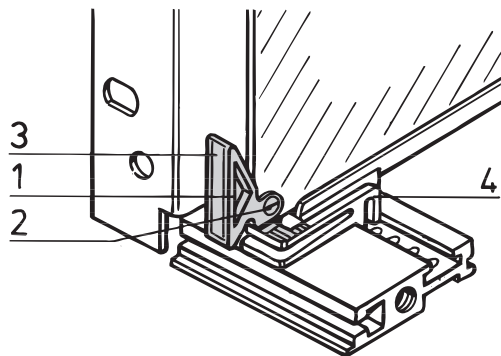
06002057



For further information www.schroff.biz/oneclick
oneClick code = Order no.

PB accessories

Printed board handle B1



B42729

BZB42725

BZA42724

- To screw or rivet onto printed boards
- Can be used with printed board retainer B
- Labelling option
- Extraction function only

Order Information

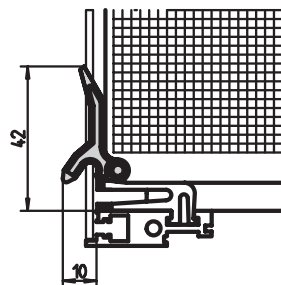
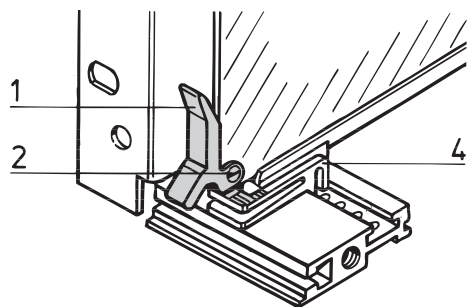
Item	Description	Material	Colour	Qty / PU	Order no.
1	Printed board handle to screw on	PBTP, UL 94 V-0	red	SPQ 1) 10 pieces	60817-067
1a	Printed board handle to rivet on	PBTP, UL 94 V-0	red	SPQ 1) 10 pieces	60817-072
2	Countersunk screw	St, nickel-plated, DIN 965	–	100	21100-515
2a	Tubular rivet	Brass	–	100	21100-076
3	Identification strip	Polyester film self-adhesive	white	100	21100-569

1) Delivery may be in standard pack quantity: Please order 10 pieces of printed board handles or a multiple. Pricing is per individual item.



For further information www.schroff.biz/oneclick
oneClick code = Order no.

Printed board handle B2



BZA46427

BZB42726

- To screw onto printed boards; can only be used on the lower horizontal rail
- Can be used with printed board retainer B
- Extraction function only
- Labelling option

Order Information

Item	Description	Material	Colour	Qty / PU	Order no.
1	Printed board handle	PBTP, UL 94 V-0	red	SPQ 1) 10 pieces	60817-055
2	Socket cap head screw with slot, M2.5 x 6	St, nickel-plated	–	100	21100-146

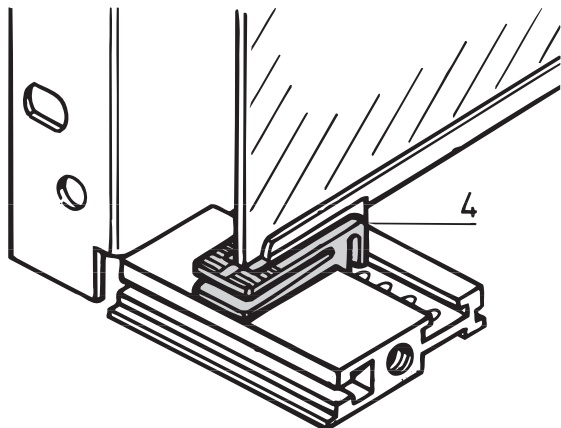
1) Delivery may be in standard pack quantity: Please order 10 pieces of printed board handles or a multiple. Pricing is per individual item.



For further information www.schroff.biz/oneclick
oneClick code = Order no.

PB accessories

Printed board retainer B



BZA46428

- Can be assembled on upper and lower horizontal rail
- Can also be used without printed board handle
- Can also be used with guide blocks

Order Information

Item	Description	Material	Colour	Qty	Order no.
4	Printed board retainer at bottom	PPO, UL 94 V-0	red	SPQ 1) 10 pieces	60817-054
4a	Printed board retainer at top	PPO, UL 94 V-0	black	SPQ 1) 10 pieces	60817-071

1) Delivery may be in standard pack quantity: Please order 10 pieces of printed board retainers or a multiple. Pricing is per individual item.

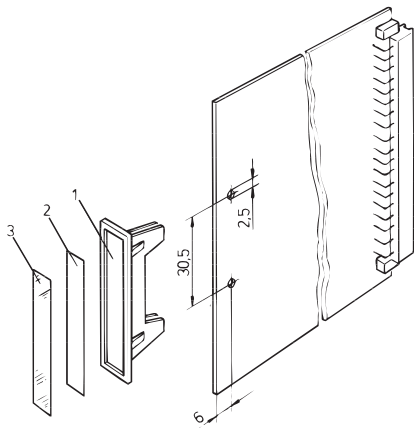
Note

- Not usable for europac PRO and ratiopac PRO



For further information www.schroff.biz/oneclick
oneClick code = Order no.

Printed board handle, can be locked



A3261

Order Information

Item	Description	Material	Colour	Qty	Order no.
1	Printed board handle, can be locked	PPE, UL 94 V-1	grey	SPQ 1) 10 pieces	60800-039
1	Printed board handle, can be locked	PPE, UL 94 V-1	red	SPQ 1) 10 pieces	60800-045

Identification strips Item 2, 1 sheet = 200 strips, white cardboard, 50 × 5 × 0.3 mm **69000-011**

Transparent strips Item 3, 50 × 5 × 0.3 mm, PU 100 pieces **69000-007**

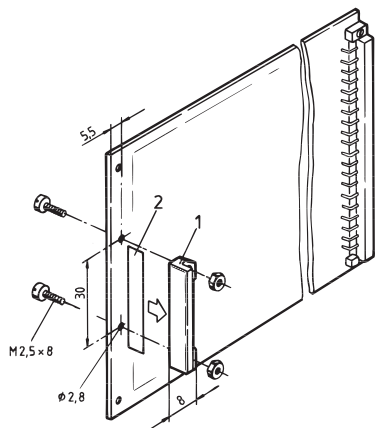
1) Delivery may be in standard pack quantity: Please order 10 pieces of printed board handles or a multiple. Pricing is per individual item.



For further information www.schroff.biz/oneclick
oneClick code = Order no.

PB accessories

Printed board handle, to screw/rivet on



A4-1302

Order Information

Item	Description	Material	Colour	Qty	Order no.
1	Printed board handle, to screw/rivet on	Acrylic	yellow	SPQ 1) 10 pieces	60817-050
2	Printed board handle, to screw/rivet on	Acrylic	red	SPQ 1) 10 pieces	60817-051
1	Printed board handle, to screw/rivet on	Acrylic	green	SPQ 1) 10 pieces	60817-052

Identification strip Item 2, white cardboard, 1 sheet, PU 100 pieces **69000-969**

Pozidrive flathead screw M2.5 x 8, St, nickel-plated, PU 100 pieces **21101-069**

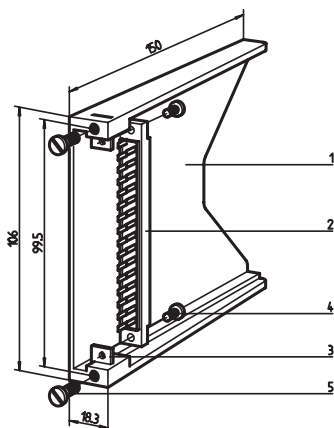
Hexagon nut A 2.5, nickel-plated, PU 100 pieces **21100-144**

1) Delivery may be in standard pack quantity: Please order 10 pieces of printed board handles or a multiple. Pricing is per individual item.

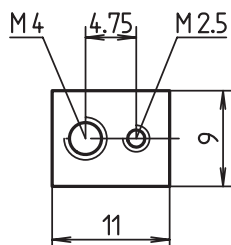


For further information www.schroff.biz/oneclick
oneClick code = Order no.

Printed board jacket



Retention bracket (DIN 41 612)



LKA42605

LKA42606

- For assembly of printed boards in euroboard format 100 x 160 mm
- For spring contact strips in accordance with EN 60603
- Distance between printed board and board jacket 3 mm

Delivery comprises (kit)

Item	Qty	Description
1	1	Printed board jacket, PC, grey
3	2	Retention bracket, St, 2 mm, nickel-plated
4	2	Socket cap head screw M 2.5 x 6, St, nickel-plated
5	2	Socket cap head screw M 4 x 12, St, nickel-plated

Order Information

Item	Description	Material	Colour	Qty / PU	Order no.
1	Printed board jacket EN 60603	PC	grey	1	20800-032

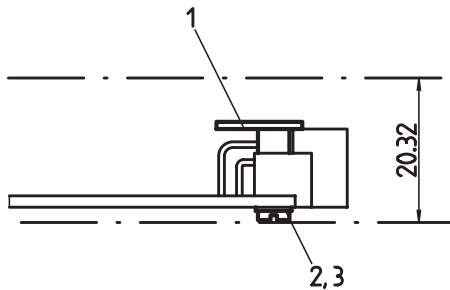
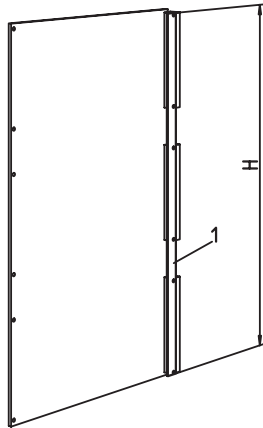
- Connector (item 2) see chapter Accessories - Connectors



For further information www.schroff.biz/oneclick
oneClick code = Order no.

PB accessories

Printed board reinforcement



- Protects large printed boards against deformation
- Combines all connectors with one another as the second leg (in accordance with directives IEEE, P 896, Nubus, Multibus® II etc.)
- Assembly points suitable for connectors in accordance with EN 60603, type B, R, C and D

Delivery comprises (kit)

Item	Qty	Description
1	1	Printed board reinforcement, Al extrusion, anodised, cut edges untreated
2	6	Socket cap head screws M 2.5 × 12, St, nickel-plated
3	6	U washer 2.6, St, nickel-plated

LKA42609

Order Information

Description	Height H mm	Order no.
For 9 U printed board	361.6	20809-441

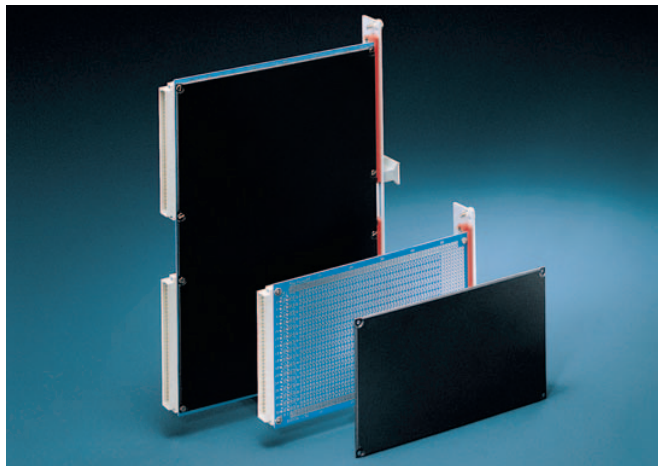


For further information www.schroff.biz/oneclick
oneClick code = Order no.

LKA42593

PB accessories

Printed board cover



- Mechanical protection of the solder side

Order Information

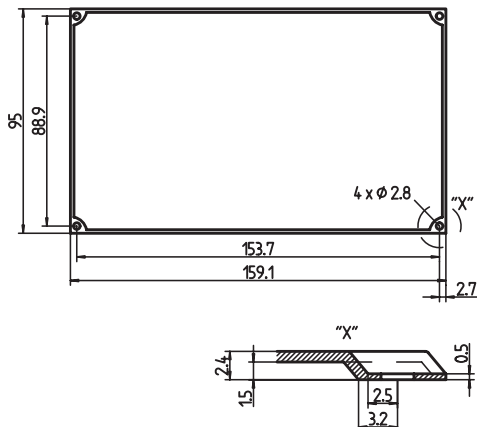
Description	Qty	Order no.
Printed board cover for euroboards (100 x 160 mm), PBTP, UL 94 V-0, black	SPQ 1) 10 pieces	61000-007
Printed board cover with low temperature expansion coefficient (same as FRA4 printed board); for euroboards (100 x 160 mm), LCP, UL 94 V-0, white	SPQ 1) 10 pieces	61000-177
Printed board cover for double euroboards (233.35 x 160 mm), PP, UL 94 V-0, black	SPQ 1) 10 pieces	61000-012

1) Delivery may be in standard pack quantity: Please order 10 pieces of printed board covers or a multiple. Pricing is per individual item.



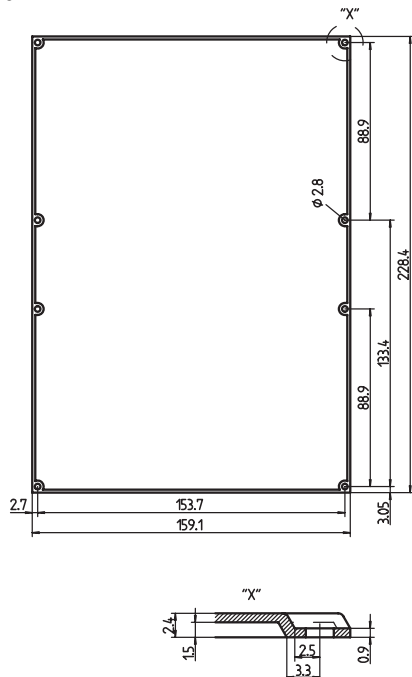
For further information www.schroff.biz/oneclick
oneClick code = Order no.

100 x 160 mm



LKA40520

233.35 x 160 mm

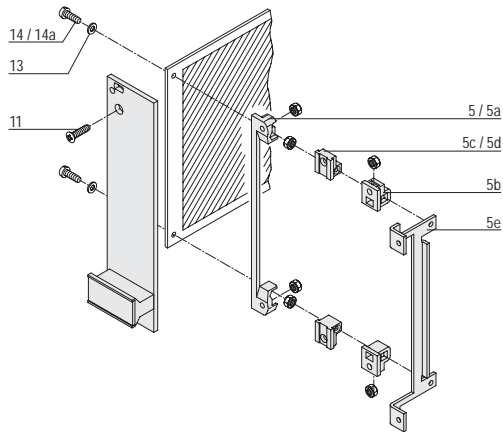


LKA30451



PB accessories

Printed board bracket



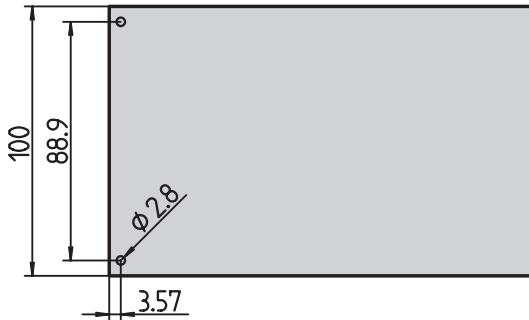
■ For the assembly of the printed board onto the front panel

Order Information

Item	Description	Required quantity for 3 U	Required quantity for 6 U	Order no.
5	4 holes for front panel/ printed board assembly, 4 pockets for hexagon nuts, PBT, UL 94 V-0, red, 1 piece	1	2	60807-011
5a	4 threads M2.5 for front panel/ printed board assembly, PBT UL 94 V-0, grey, 1 piece	1	2	60807-211
5b	Hole for front panel assembly, with pocket for hexagon nut, hole for self-tapping screw for printed board assembly, PBT UL 94 V-0, grey, 1 piece	2	4	60807-183
5c	2 threads M2.5 for front panel/ printed board assembly, Zn die-cast, 1 piece	2	4	60807-181
5d	Thread M 2.5 for front panel assembly, hole for printed board assembly, Zn die-cast, 1 piece	2	4	60807-203
5e	4 threads M2.5 for front panel/ printed board assembly for recessed installation of printed board (20 mm), mounting depth 192.24 mm, St, zinc-plated, not for europacPRO, ratiopacPRO, 1 piece	1	2	30808-871

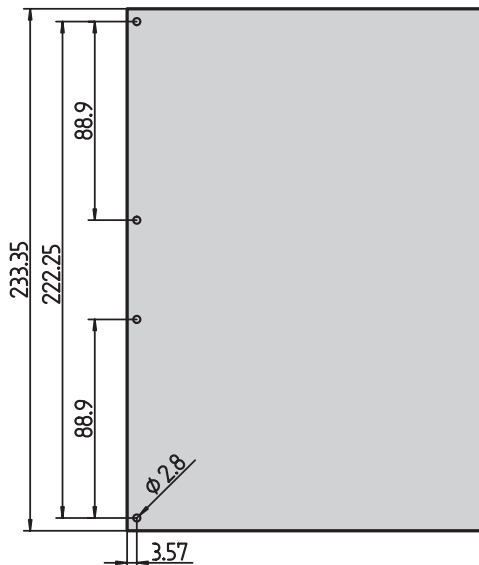
Drill hole dimensions on the printed board

3 U



BZA46430

6 U



BGA43076

BGA43077

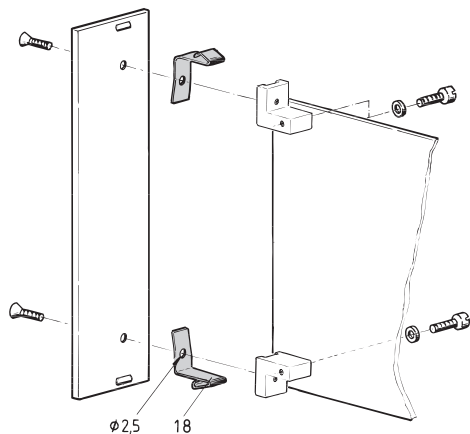
Delivery may be in Standard Pack Quantity: Please order 10 pieces or a multiple. Pricing is per individual item.



For further information www.schroff.biz/oneclick
oneClick code = Order no.

PB accessories

Contact spring for electrostatic discharge (ESD)



- Assembly between front panel and die-cast printed board bracket of a plug-in unit
- Discharge via a horizontal rail with a conductive finish (chromated)
- Configuration top and/or bottom

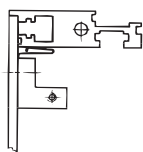
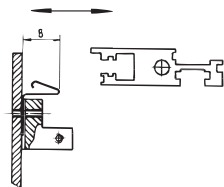
Order Information

Item	Description	Material	Qty / PU	Order no.
18	Contact spring for electrostatic discharge (ESD)	St, corrosion-free	50	21101-147

Note

- Not usable for subrack europacPRO and desk-top case ratiopacPRO

BGA46426

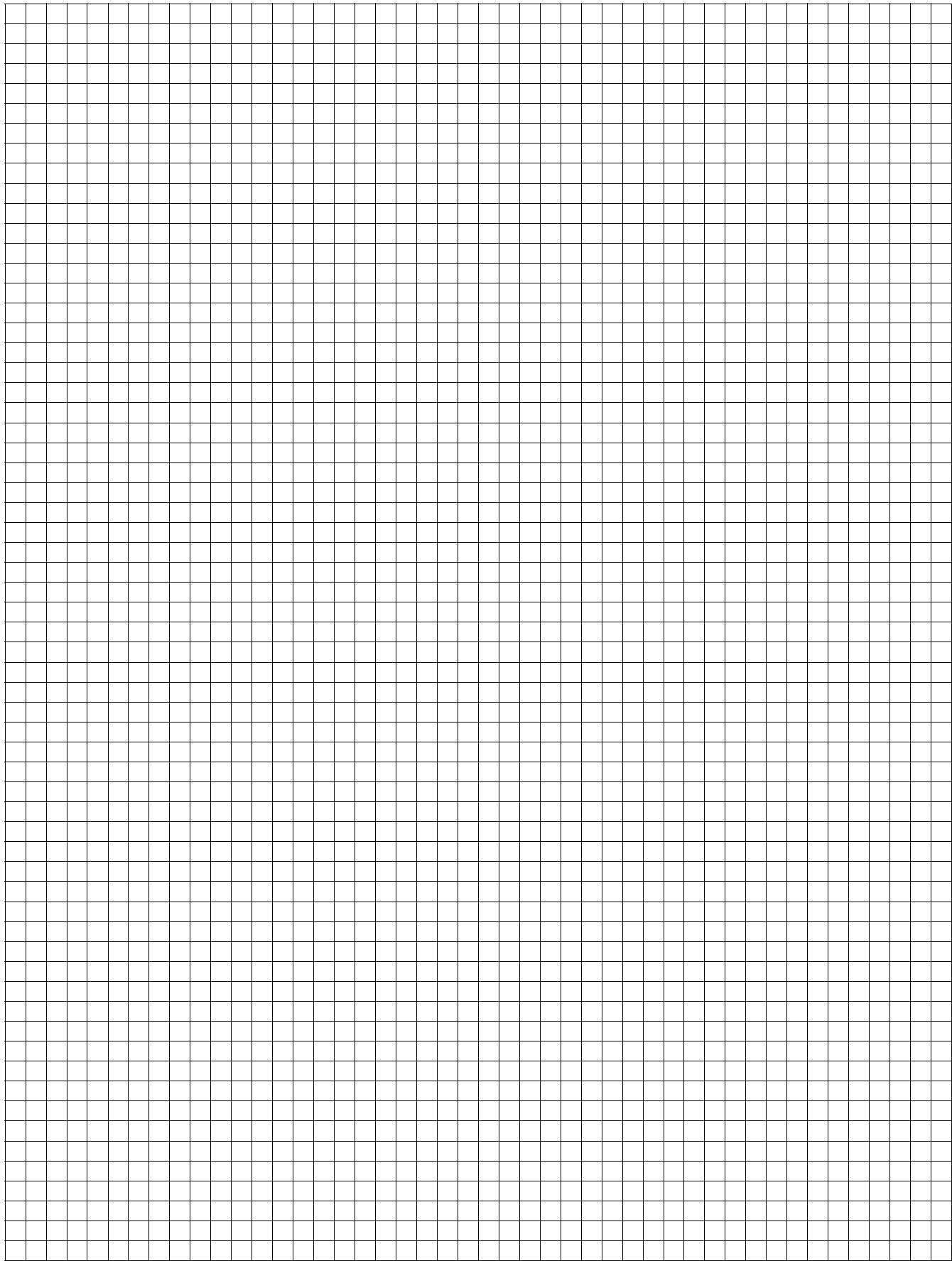


A4-2184



For further information www.schroff.biz/oneclick
oneClick code = Order no.

PB accessories

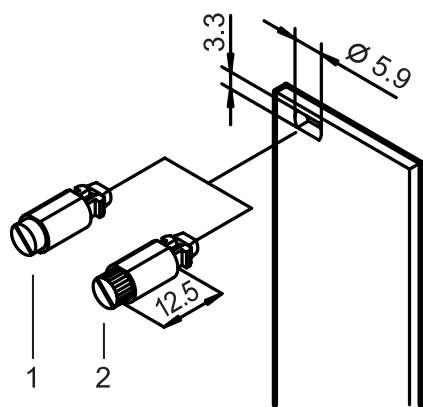


Assembly parts

Assembly parts

- Quick-release fastener
- Sleeve
- Screws
- Cage nuts
- Tools

Quick-release fastener



- Vibration and shock proof
- 1/4 rotary lock with defined stop
- Detection of fastening position with slot position

Delivery comprises

Qty	Description
1	Locking pin, St, locking, Zn die-cast
1	Press-in sleeve, POM

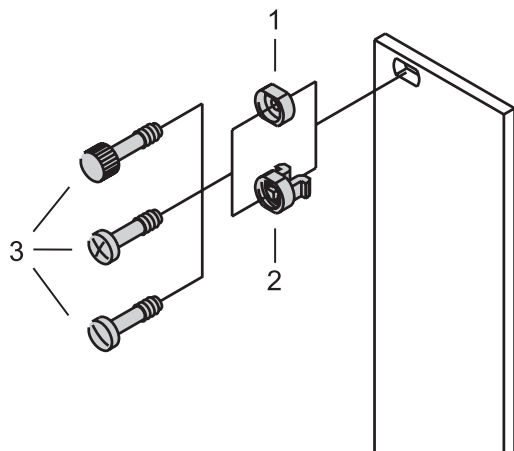
Order Information

Item	Description	Qty / PU	Order no.
1	With slotted head, grey	100	21101-847
1	With slotted head, black	100	21101-848
2	With knurled head, grey	100	21101-849
2	With knurled head, black	100	21101-850

Note

Quick-release fastener: mounting without threaded insert

Sleeve



Order Information

Item	Description	Qty / PU	Order no.
2	Plastic sleeve, PA, grey	100	21100-464
2	Plastic sleeve, PA, black	100	21100-591
1	Metal sleeve, brass, nickel-plated	10	21100-659
1	Metal sleeve, brass, nickel-plated	100	21100-660
1	Metal sleeve, brass, black	10	21100-885
1	Metal sleeve, brass, black	100	21100-886
1	Metal sleeve, stainless steel	10	21100-661
1	Metal sleeve, stainless steel	100	21100-662

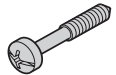
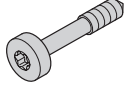
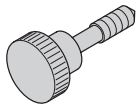
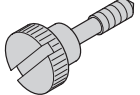
Note

- Metal sleeves have to be pressed into the front panels
- Not for front panels 2 HP
- Please order collar screw (item 3) separately, see page 7.95

Assembly parts

Collar screw

Order Information

	Description	Application	Material	Dimension	Qty / PU	Order no.
			St, nickel-plated	M2.5 × 11	100	21100-748
 <small>AZA46586</small>	Collar screw with Pozidrive/slot	For assembly of front panels if threaded strips are used; not for europacPRO and ratiopacPRO	Ms, zinc-plated, black	M2.5 × 11	100	21100-749
			V2A, only slot	M2.5 × 11	100	21101-323
			St, nickel-plated	M2.5 × 12.3	100	21101-101
			St, zinc-plated, black	M2.5 × 12.3	100	21101-102
			V2A	M2.5 × 12.3	100	21101-906
 <small>AZA45941</small>	Collar screw with Torx	For assembly of front panels if threaded strips are used; also for europacPRO and ratiopacPRO	St, nickel-plated	M2.5 × 12.3	100	21101-782
			St, zinc-plated, black	M2.5 × 12.3	100	21101-783
 <small>AZA45929</small>	Collar screw with knurled head	For assembly of front panels if threaded strips are used; not for europacPRO and ratiopacPRO	Ms, nickel-plated	M2.5 × 11	50	21100-268
			Ms, zinc-plated	M2.5 × 12.3	100	21101-749
			Ms, nickel-plated	M2.5 × 12.3	100	21101-909
 <small>AZA45930</small>	Collar screw with knurled head/slot	For assembly of front panels if threaded strips are used; not for europacPRO and ratiopacPRO	Ms, nickel-plated	M2.5 × 11	100	21101-106

Assembly parts

Countersunk screw

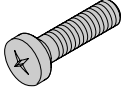
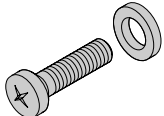
Order Information

	Description	Application	Material	Dimension	Qty / PU	Order no.
	PoziDrive c/sk screw	For plastic handle 3 HP/4 HP on front panel of plug-in units	St, nickel-plated	M2.5 × 6	100	21100-515
		For handles on plug-in units	St, nickel-plated	M2.5 × 12	100	21100-507
<small>AZA45177</small>	<hr/>					
	Countersunk screw with Torx	For contact strips europacPRO, ratiopacPRO	St, zinc-plated	M4 × 5	100	24560-139
		For mixed board assembly and assembly of shortened horizontal rail on support member, with GND/earthing function	St, zinc-plated	M4 × 14	100	24560-145
<small>AZA46585</small>	<hr/>					
	Raised PoziDrive c/sk screw	For printed boards on front panel	St, nickel-plated	M2.5 × 8	100	21100-429
			St, nickel-plated	M2.5 × 10	100	21100-500
		For printed board bracket on the front panel	St, zinc-plated, black	M2.5 × 10	100	21100-649
			St, nickel-plated	M3 × 8	100	21100-542
<small>06702056</small>	<hr/>					
	Pan head screw with torx	For Al guide rails, heavy duty	St, zinc-plated, black	M2.5 × 7.3	100	24560-157
		For 4.4" board height; guide rail on horizontal rail, europacPRO, ratiopacPRO	St, zinc-plated	M2.5 × 7.7	100	24560-158
		For plastic guide rail on horizontal rail; for control panel bracket assembly on horizontal rail	St, zinc-plated	M2.5 × 9.3	100	24560-141
<small>aza45922</small>	<hr/>					

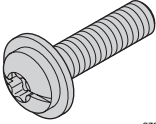
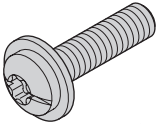
Assembly parts

Pan head screw

Order Information

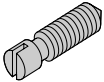
Description	Application	Material	Dimension	Qty / PU	Order no.
 <p>Pan head Pozidrive c/sk screw</p>	For brackets on plug-in units	St, nickel-plated	M2.5 × 4	100	21101-218
	For Z or perforated rails on horizontal rails	St, nickel-plated	M2.5 × 5	100	21101-314
	For spring contact strips on Z-rail cable ducting	St, nickel-plated	M2.5 × 6	100	21101-219
	For printed boards on printed board bracket	St, nickel-plated	M2.5 × 8	100	21101-069
	For printed boards on printed board bracket	St, nickel-plated	M2.5 × 10	100	21101-220
	For handles on plug-in units	St, nickel-plated	M2.5 × 12	100	21101-221
	For handles on plug-in units	St, nickel-plated	M2.5 × 16	100	21101-222
	For mounting of horizontal/central rail on compac cases	St, zinc-plated	M5 × 12	100	21100-788
	For printed board assembly	St, zinc-plated	M2.5 × 6	100	24560-159
	For Z-rails and connector assembly	St, nickel-plated	M2.5 × 7	100	24560-147
For perforated rail	St, nickel-plated	M2.5 × 10	100	24560-148	
For backplane assembly	St, nickel-plated	M2.5 × 12	100	24560-161	
For backplane assembly	St, nickel-plated	M2.5 × 14	100	24560-162	
 <p>Pan head screw with Torx</p>	For backplane assembly	St, nickel-plated	M2.5 × 16	100	24560-163
	To screw on support bracket, rear hood, rear angle on side panel, extension bracket and adapter bracket	St, zinc-plated	M4 × 6	100	24560-135
	To screw on cover plate or chassis plate, with GND/earthing function	St, zinc-plated	M4 × 6	100	24560-151
	For horizontal rail on side panel if guide rail bolted onto pin position 1	St, zinc-plated	M4 × 10	100	24560-155
	For horizontal rail on side panel, with GND/earthing function	St, zinc-plated	M4 × 14	100	24560-130
 <p>Screw + securing washer</p>	For backplane assembly	St, nickel-plated	M2.5 × 12	100	21100-777

Assembly parts

	Description	Application	Material	Dimension	Qty / PU	Order no.
	Cheesehead screw with hexagon socket	For mounting of horizontal-/ central rail on compacPRO cases	St, zinc-plated	M5 x 12	100	21101-057
<small>aza45184</small>						
	Taptite screw with hexagon socket	For mounting of horizontal-/ central rail on compacPRO cases	St, zinc-plated	M5 x 12	100	21100-457
<small>06702050</small>						



Grub screw

Order Information

	Description	Application	Material	Dimension	Qty / PU	Order no.
		For threaded inserts M2.5 and perforated strips	Stainless steel	M2.5 x 9	100	21101-359
	Grub screw	For threaded inserts M2.5	St, nickel-plated	M2.5 x 8	100	21100-276
<small>BZA45853</small>		For threaded inserts M3	St, zinc-plated	M3.0 x 8	100	21100-646

Washer


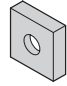

Order Information

	Description	Application	Material	Dimension	Qty / PU	Order no.
		For front panel, 2 HP	Plastic, PA	2.7 x 5 x 1	100	21101-121
	Washer	For handles on plug-in units	St, nickel-plated	A2.7 DIN 125	100	21100-721
<small>AZA45178</small>						
	Shakeproof washer	For printed board assembly	St, nickel-plated	2.6	100	21100-142
<small>AZA45180</small>						

Assembly parts

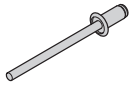
Nut

Order Information

	Description	Application	Material	Dimension	Qty / PU	Order no.
 <small>AZA43239</small>	Hexagon nut	For handles on plug-in units	St, nickel-plated	M2.5	100	21100-144
 <small>AZA45927</small>	Square nut	For handles on plug-in units	St, nickel-plated	M2.5	100	21100-359
 <small>AZA45921</small>	Square nut	For assembly of components on side panels, contact strips, chassis plates	St, zinc-plated	M4	100	24560-140

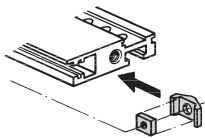
Tubular rivets

Order Information

	Description	Application	Material	Dimension	Qty / PU	Order no.
 <small>AZA45926</small>	Tubular rivets	For printed board assembly	-	B2.5 x 0,25 x 5	100	21100-459

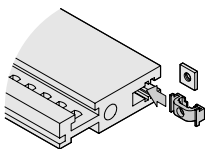
Slide nut for front horizontal rail

Order Information

	Description	Application	Material	Dimension	Qty / PU	Order no.
 <small>A4-559-1</small>	Slide nut, AF 7	For front horizontal rail; alternative to threaded insert; not for europacPRO and ratiopacPRO	Slide nut, St, nickel-plated, Slide, PA	M2.5	100	21100-112
				M3	100	21100-289

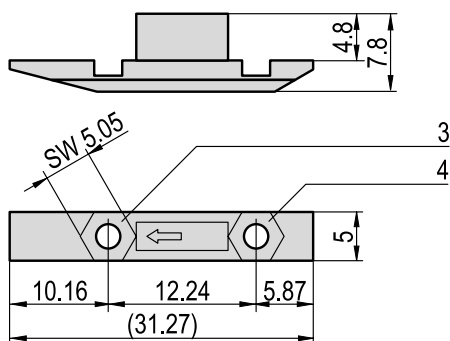
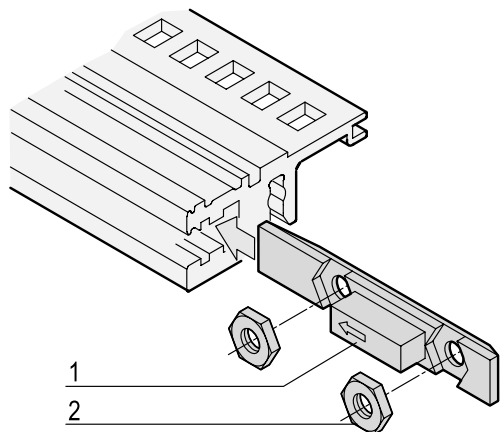
Slide nut for rear horizontal rail

Order Information

	Description	Application	Material	Dimension	Qty / PU	Order no.
 <small>05802056</small>	Slide nut, AF 5	For rear horizontal rail; alternative to threaded insert; not for europacPRO and ratiopacPRO	Slide nut, St, nickel-plated, Slide, PA	M2.5	100	21100-425

Assembly parts

Slide nut



- For europacPRO and ratiopacPRO
- The slide nut is inserted into the slot in the horizontal rail instead of threaded inserts

Delivery comprises (kit)

Item	Qty	Description
1	1	Slide, red, UL 94 V-0, PBT
2	2	Nut M 2.5, St, zinc-plated

Order Information

Description	Description	Order no.
Slide nut kit 1	100 slides / 200 nuts	24560-165
Slide nut kit 2	12 slides / 24 nuts	24560-166

Note

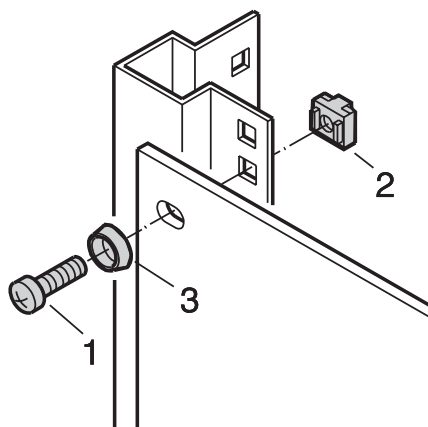
- Nuts used in location 3:
Application for
 - hinged front panels 84 HP
 - full-width front panels or full-width rear panels 84 HP
- Nuts used in location 4:
Application for
 - hinged front panels
- Nuts used in location 3 and location 4:
Application for
 - two front panels



For further information www.schroff.biz/oneclick
oneClick code = Order no.

06702060

Assembly kit



- Subracks in cabinets or 19" case
- Case with 19" brackets in cabinets

Delivery comprises (kit)

Item	Qty	Description
1	1	Screw M6 x 16, zinc-plated pozidrive
2	1	Plastic washer, ABS, black
3	1	Cage nut M6, zinc-plated

Order Information

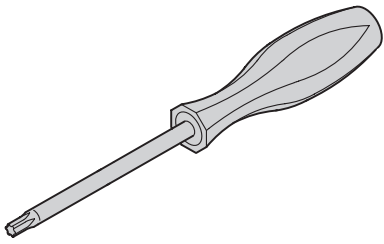
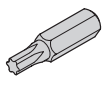
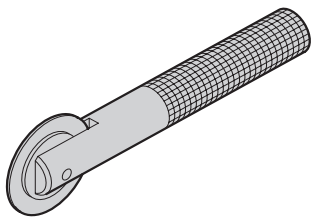
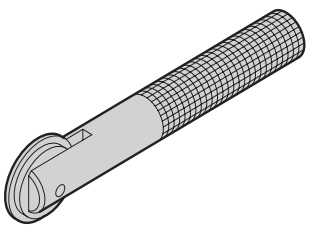
Description	Order no.
PU per 8 x (screw, washer, nut)	21100-435
1 PU = per 50 x (screw, washer, nut)	21101-809
1 PU = per 100 x (screw, washer, nut)	21101-810

SC128XXX

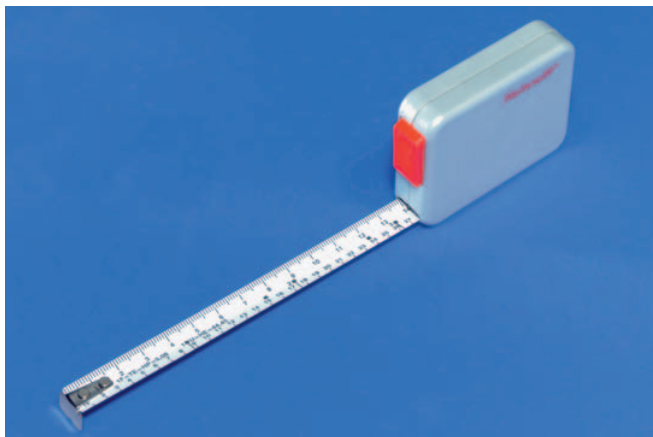
Assembly parts

Assembly tool

Order Information

	Description	Dimension	Qty / PU	Order no.
 <small>AZA45925</small>	Torx screwdriver	T8 × 60	1	64560-026
		T20 × 100	1	64560-027
 <small>AZA45924</small>	Torx bit for screwdriver	T8	1	64560-028
		T20	1	64560-029
 <small>aza45938</small>	Assembly tool for horizontal rails	–	1	24560-271
 <small>aza45937</small>	Assembly tool for front panels	–	1	24560-270

Tape measure



32506001

- Tape measure with cm, U and HP division (length 2 m)
- Outer casing plastic, metal tape measure with automatic retraction

Order Information

Description	Qty / PU	Order no.
Tape measure	1	89009-001