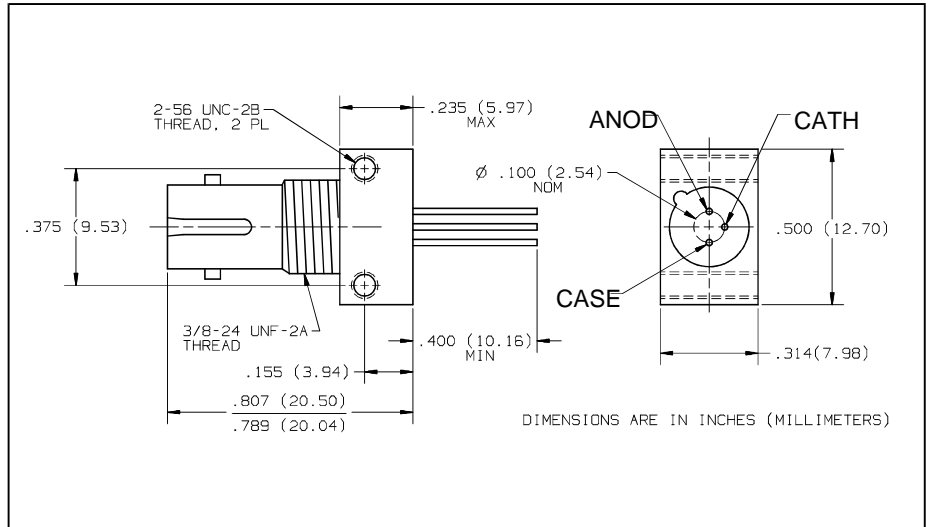


Short Wavelength PIN Photodiode in Conductive Plastic ST* Receptacle Type OPF792



Features

- High speed, low capacitance
- Low cost conductive plastic receptacle

Description

The OPF792 is a silicon PIN photodiode mounted in a conductive plastic receptacle. Using a "Conductive" plastic allows an electrical connection to still be made to the receptacle for noise sensitive applications. Its high speed and low cost make it a good choice for cost sensitive high data rate applications up to 194 MBd.

*ST is a registered trademark of AT&T.

Absolute Maximum Ratings (T_A = 25° C unless otherwise noted)

Storage Temperature	-55° C to +85° C
Operating Temperature	-40° C to +85° C
Lead Soldering Temperature [1/16 inch (1.6 mm) from case for 5 sec. with soldering iron]	260° C
Reverse Bias Voltage	50 V

Type OPF792

Electrical Characteristics ($T_A = 25^{\circ}\text{C}$ unless otherwise noted)

R_P tested with graded index fiber, 50/125, N.A. = 0.20

SYMBOL	PARAMETER	MIN	TYP	MAX	UNITS	TEST CONDITIONS
R_P	Responsivity	.45			A/W	$V_R = 5.0\text{ V}$
I_P	Dark Current		0.5	5	nA	$V_R = 5.0\text{ V}$
t_r	Output Rise Time		2.0		ns	$V_R = 5.0\text{ V}$
BW	Bandwidth		175		MHz	$V_R = 5.0\text{ V}$