

All information is subject to change without notice. Please read bottom notes.

TENTATIVE

**MECHANICAL SPECIFICATIONS**

Item	Specifications
Dimensional Outline (Typ.)	110.0(W) x 22.0(H) x 10.0(Max.)(D) mm
Applicable TFT Module	LTM08C351(8.4 Type SVGA)
Weight (approximately)	25g(Typ.)

**ABSOLUTE MAXIMUM RATINGS <sup>\*1</sup>**

Item	Symbol	Min.	Max.	Unit
Supply Voltage	$V_{IN}$	0	14.0	V
Input Voltage	$V_{ON}/V_{OFF}$	-1	$V_{IN}+1$	kV
Operating Temperature <sup>*2</sup>	$T_{stg}$	0	50	°C
Storage Temperature <sup>*2</sup>	$T_{op}$	-20	60	°C
Storage Humidity <sup>*2</sup>	$H$	10	90	%(RH)

\*1 : Do not exceed the maximum rating values under the worst probable conditions

taking into account the supply voltage variation, input voltage variation,  
variation in part constants, ambient temperature and so on.

Otherwise the inverter unit may be damaged.

\*2 : Wet bulb temperature should be 39°C max.,and no condensation of water.

**ELECTRICAL SPECIFICATION <sup>\*3</sup>**

Item	Symbol	Min.	Typ.	Max.	Unit	
Supply Voltage	$V_{IN}$	10.8	12.0	13.2	V	
Input Current	$I_{IN}$	---	550	900	mA	
Open Output Voltage	$V_{OPEN}$	1400	---	---	V <sub>o-p</sub>	
Frequency	$f$	40	45	50	kHz	
Output Current <sup>*4</sup>	Volume Max.	$I_{FL}$	---	12.0	---	mA(rms)
	Volume Min.		---	5.5	---	mA(rms)
V ON/OFF Signal Voltage	$V_{ON}$	2.5	---	$V_{IN}$	V	
	$V_{OFF}$	---	---	0.7	V	

\*3 : The characteristics without remarks are measured on condition with  $V_{in}=12V$  and  $V_R-V_R$ :short.

\*4 : This is the sum of two output currents.

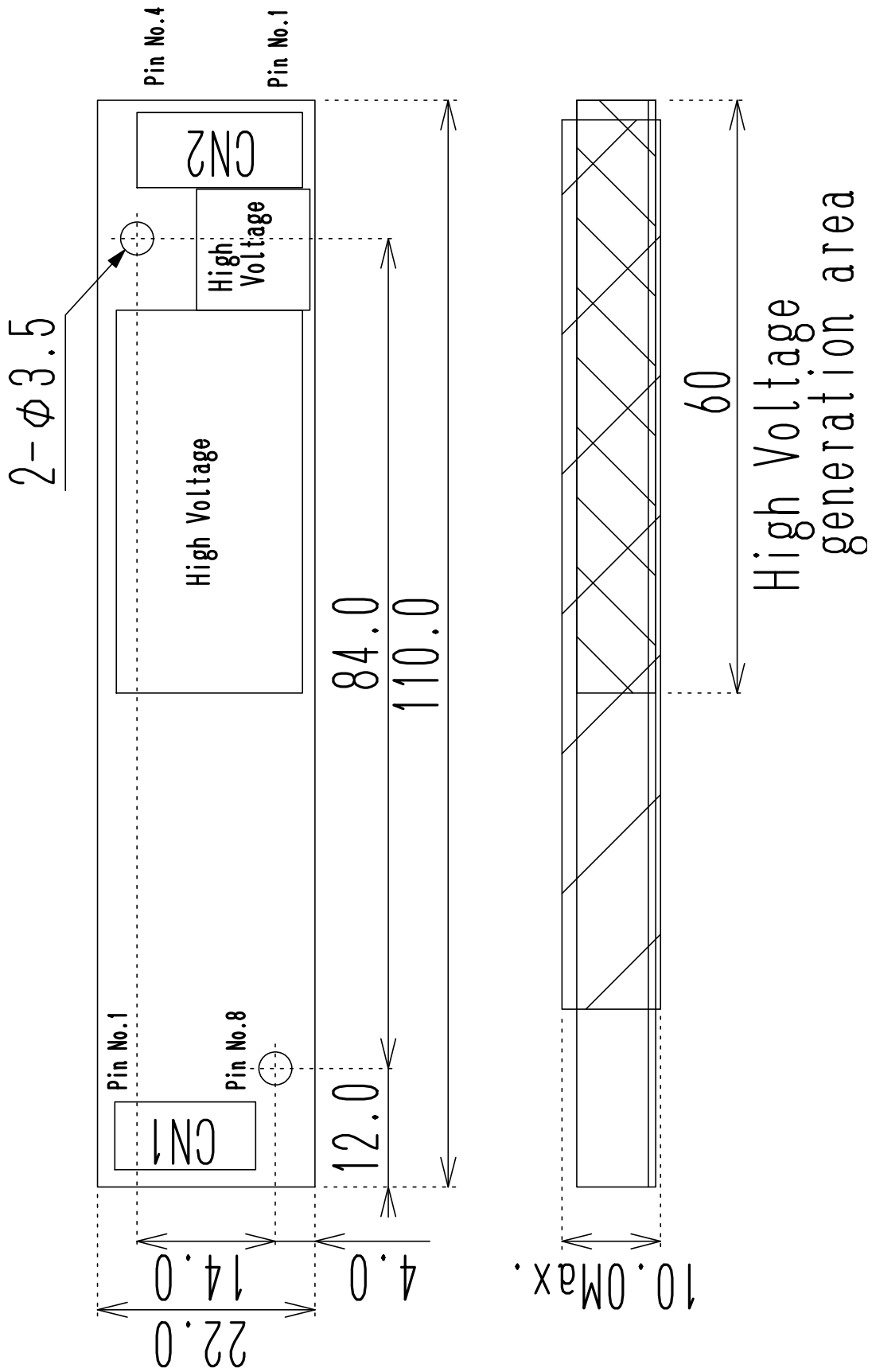
\*The information contained herein is presented only as a guide for the applications of our products. No responsibility is assumed by Toshiba Matsushita Display Technology or other rights of the third parties which may result from its use. No license is granted by implication or otherwise under any patent or patent rights of Toshiba Matsushita Display Technology or others.

\*The information contained herein may be changed without prior notice. It is therefore advisable to contact Toshiba Matsushita Display Technology before proceeding with the design of equipment incorporating this product.

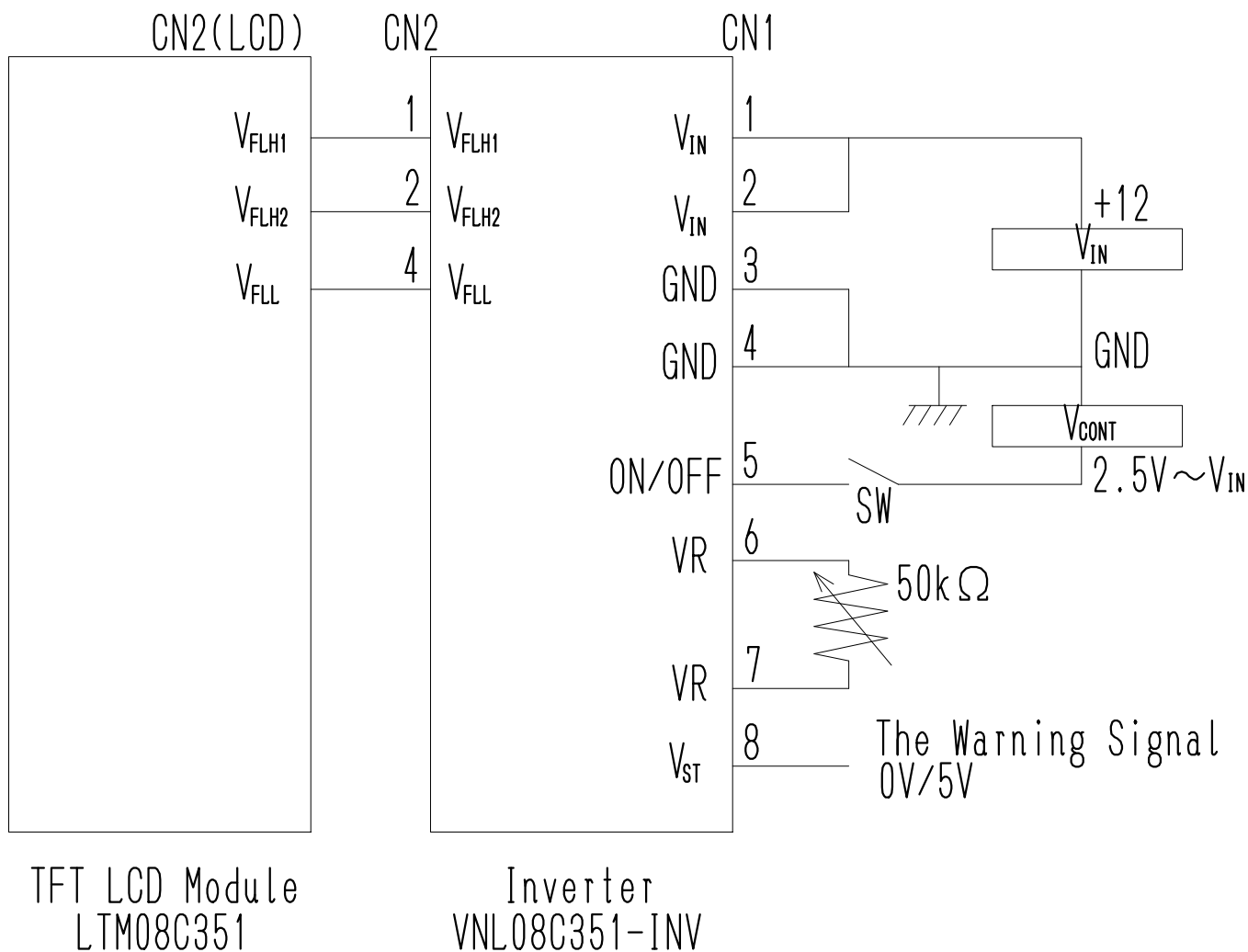
DIMENSIONAL OUTLINE

Unit : mm

Standard tolerance : ±0.5



**SCHEMATIC DIAGRAM OF INVERTER CONNECTION**



**CONNECTOR PIN ASSIGNMENT FOR INTERFACE****CN1 INPUT SIGNAL**

Connector : 53261-0890/JAPAN MOLEX CO., LTD.

Mating Connector : 51021-0800

Terminal No.	Symbol	Function
1	V <sub>IN</sub>	Supply Voltage : 12.0V(Typ.) (10.8 13.2V)
2	V <sub>IN</sub>	Supply Voltage : 12.0V(Typ.) (10.8 13.2V)
3	GND <sup>1)</sup>	0V
4	GND <sup>1)</sup>	0V
5	ON/OFF	"H" : FL ON "L" : FL OFF
6	VR	Connect the Potentiometer (50kΩ) between VR(Pin No.6) and VR(Pin No.7)
7	VR	Connect the Potentiometer (50kΩ) between VR(Pin No.6) and VR(Pin No.7)
8	V <sub>st</sub>	The Warning Signal : 5V in abnormal circumstances

**CN2 CCFL POWER SOURCE**

Connector : SM04(4.0)B-BHS-1/JAPAN SOLDERLESS TERMINAL MFG CO., LTD.

Terminal No.	Symbol	Function
1	VFLH1	Output Power Supply for VFLH1 (High Voltage)
2	VFLH2	Output Power Supply for VFLH2 (High Voltage)
3	NC <sup>2)</sup>	
4	VFLL	Output Power Supply for VFLL (Low Voltage)

\*1 : Please connect GND pin to ground.

Don't use it as no-connect nor connection with high impedance.

\*2 : NC Terminal is open. (Don't use)