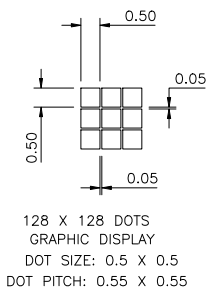
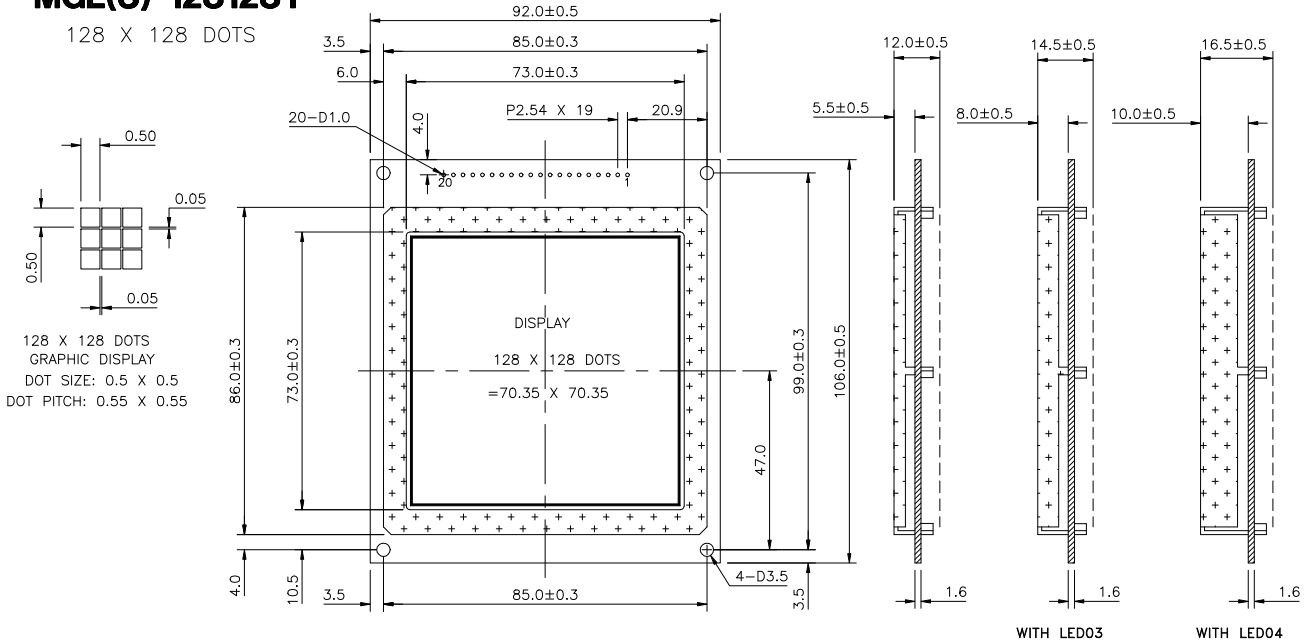


# MGL(S)-128128T

128 X 128 DOTS



1	2	3	4	5	6	7	8	9	10	11	12	13	14	15	16	17	18	19	20
FGND	VSS	VDD	V0	WR	RD	CE	C/D	RST	DB00	DB01	DB02	DB03	DB04	DB05	DB06	DB07	FS	LED+(A)	LED-(K)

