
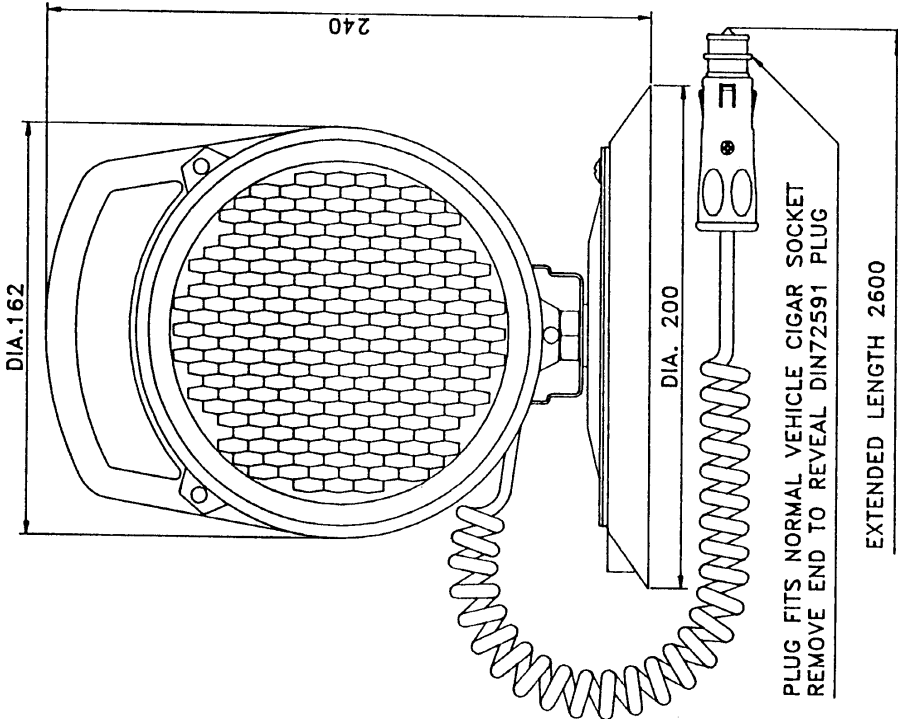
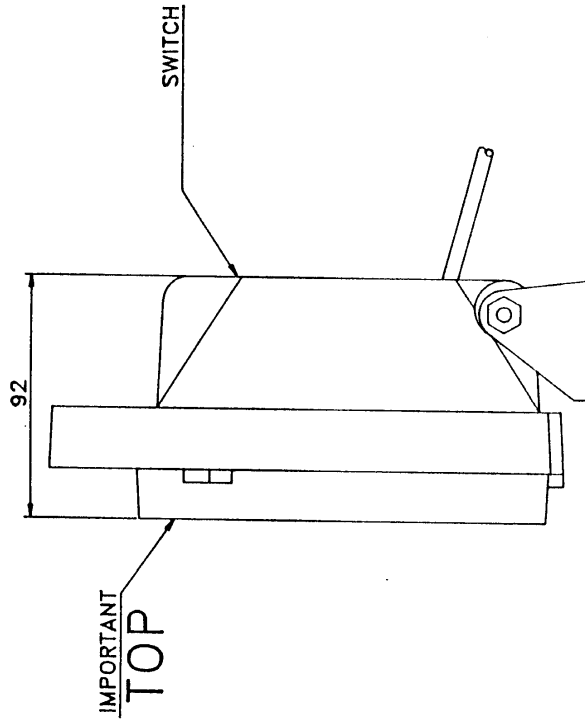



MOD No.	STATUS	ISS	DATE
M1050	PRODUCTION RELEASE A	A	12-11-94
MATERIAL		FINISH	
SPECIFICATION		SPECIFICATION	
TOOL No.			
 3rd ANGLE PROJECTION DIMENSIONS IN MILLIMETRES DO NOT SCALE			
DRAWN		R L WELDON	
DATE		12-11-94	
CHECKED			
TITLE		OUTLINE MAGNETIC WORKLAMP	
PART No.		A3	
		999.015	
		SCALE 1:2	



TECHNICAL SPECIFICATION	
WARNING - FOR STATIONARY USE ONLY	
CONSTRUCTION	BODY - POLYPROPYLENE LENS - POLYCARBONATE
BEAM PATTERN	
REACH HEIGHT	30mtr Min.
WIDTH	7mtr Min.
VOLTAGE	12V
CURRENT CONSUMPTION	4.6A
BULB TYPE	H3 55W
SPARE BULB	950.005

APPLICATION
MAGNETIC GENERAL PURPOSE WORKLAMP, WITH INTEGRAL ON-OFF ROCKER SWITCH. IDEALLY SUITED FOR AUTOMOTIVE APPLICATIONS.



© VISION ALERT AUTOMOTIVE LIMITED
 Osbaldwick Ind. Est. Outgang Lane Osbaldwick York. YO1 3UX North Yorks.
 Telephone : 01904 415000 Fax : 01904 430059