

TO : _____

DATE : _____

LDR CdS PHOTO CELL

SPECIFICATION

MODEL NO. N5AC-501085

Absolute Maximum Ratings

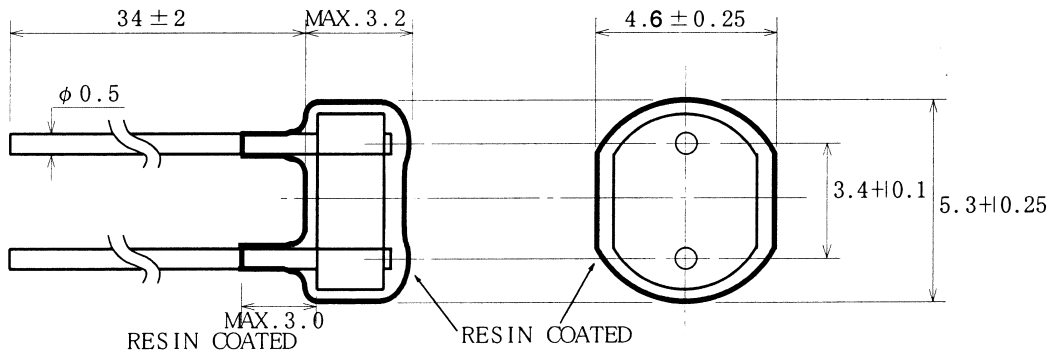
Allowable Power Dissipation (P_D) 50 mW (Derate above 25°C : 1.0 mW/°C)
 Maximum Applied Voltage (V_{MAX}) 100 V_{DC}
 Ambient Temperature Range (T_A) -30 ~ +60 °C

Photo-electric Characteristics (at 25°C)

PARAMETER	SYMBOL	M N.	MAX.	UNI TS
Light Resistance at 10 Lux	R_L	50	100	k Ω
Gamma Value at 10~100 Lux	γ	0.85(Typ.)		—
Dark Resistance (10 sec. after shut off 10 Lux)	R_D	5	—	M Ω
Peak Spectral Response	λ_P	550	650	nm

※ Pre-measurement condition : Exposed in 500 lux for more than 3 hours.

Dimensions (unit : mm)



LDR CdS PHOTO CELL	PAGE 1/1	SPEC. NO. NCS-950203-01	REV. A
	▪ NIPPON CERAMIC CO., LTD.		
MODEL NO. N5AC-501085	APPROVED BY		CHECKED BY