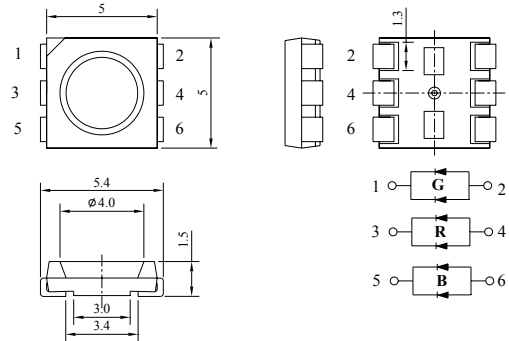


SMD Super Bright LED

OVS-53 Series

Features:

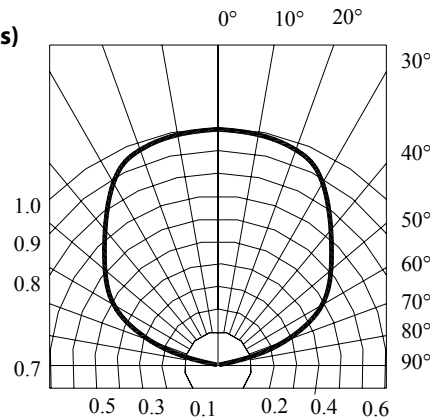
- RGB LED Lamp
- Low Profile Package
- All chips can be individually driven to provide required colours



Maximum Ratings at Ta=25°C

Reverse Voltage (<math><100\mu A</math>)	5.0V
D.C. Forward Current	30mA
Pulse Current (Pulse Width of 0.1ms, 1/10 Duty Cycle)	100mA
Operating Temperature Range	-25 to +85°C
Storage Temperature Range	-40 to +100°C
Soldering Temperature Reflow Soldering	260°C for 10 secs

Radiation Diagram(s)



Electrical & Optical Characteristics at Ta=25°C

Ant Part No.	LED Chip			Lens Colour	Dominant Wavelength (nm) at 20mA	Luminous Intensity (mcd) at 20mA		Forward Voltage (V) at 20mA		Viewing Angle 2 $\theta^{1/2}$ (deg)
	Material	Emitted Colour	Brightness			min.	typ.	typ.	max.	
OVS-5309	InGaN / Sapphire	Blue	Mega	Water Clear	465	200	430	3.2	4.0	120
	InGaN / Sapphire	True Green	Mega	Water Clear	520	700	1460	3.2	4.0	120
	A1GalnP/Si	Red	Mega	Water Clear	625	500	1010	2.1	2.6	120

Disclaimer: This data sheet and its contents (the "Information") belong to the Premier Farnell Group (the "Group") or are licensed to it. No licence is granted for the use of it other than for information purposes in connection with the products to which it relates. No licence of any intellectual property rights is granted. The Information is subject to change without notice and replaces all data sheets previously supplied. The Information supplied is believed to be accurate but the Group assumes no responsibility for its accuracy or completeness, any error in or omission from it or for any use made of it. Users of this data sheet should check for themselves the Information and the suitability of the products for their purpose and not make any assumptions based on information included or omitted. Liability for loss or damage resulting from any reliance on the Information or use of it (including liability resulting from negligence or where the Group was aware of the possibility of such loss or damage arising) is excluded. This will not operate to limit or restrict the Group's liability for death or personal injury resulting from its negligence. SPC Multicom is the registered trademark of the Group. © Premier Farnell plc 2008.