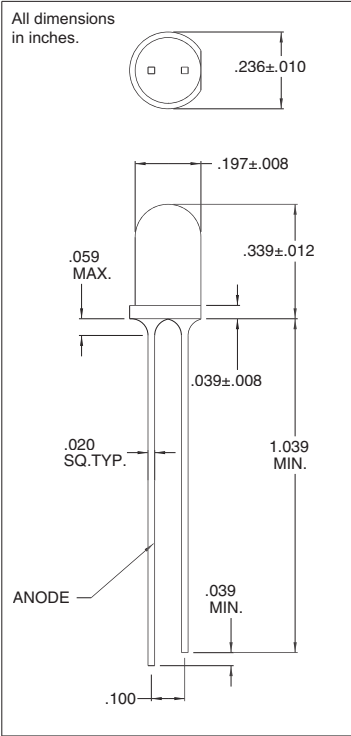




## 4304H6 Solid State LED Lamps-High Brightness T-1 3/4 (5mm)

### DESCRIPTION AND FEATURES



- T-1 3/4 LED
- Blue output at 470nm peak wavelength
- Gallium Nitride
- White diffused lens
- High brightness

### ELECTRO-OPTICAL CHARACTERISTICS AND RATINGS

PART NUMBER	4304H6
Output Color	Blue
Diffusion	Diffused
Package Color	Clear
Rated Current (mA)	20
Forward Voltage Typ. (V)	5
Forward Voltage Max. (V)	6
Luminous Intensity Typ. (mcd)	160
Peak Wavelength (nm)	430
Viewing Angle 20 1/2 (degrees)	40
Power Dissipation (mW)	98
Continuous Forward Current Max. (mA)	20
Reverse Breakdown Voltage Min.(V)	5

147 Central Avenue  
Hackensack, NJ 07601  
Phone: (201) 489-8989  
Fax: (201) 489-6911

18703 Dix Toledo Road  
Brownstown, MI 48193

Saret Zone Franca, Edificio B  
Alajuela Costa Rica

E-mail: sales@chml.com • Web Site: www.chml.com

Chicago Miniature Lighting, LLC reserves the right to make specification revisions that enhance the design and/or performance of the product