

NEWPORT® Switching Power Supply

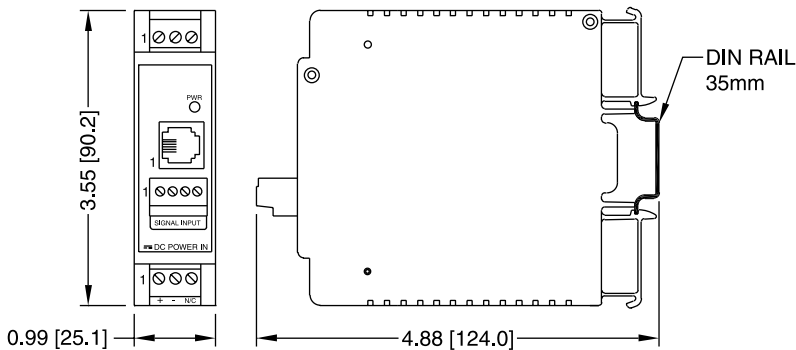
iDRN-PS-1000

- ✓ 24 Vdc Supply for iDRN/iDRX Modules
- ✓ iDRN-PS-1000 Switching Supply Powers up to 7 Units

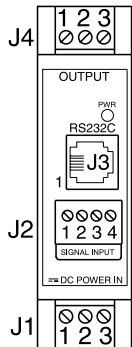
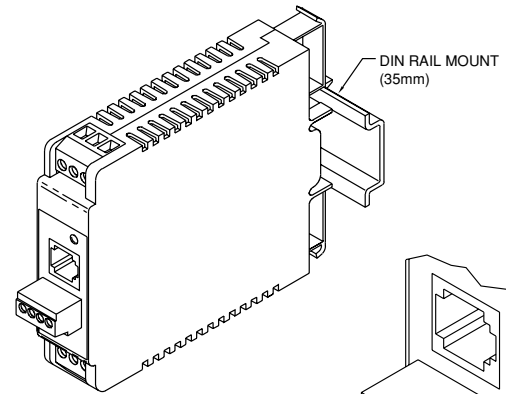


\$150
iDRN-PS-1000

Model No.	Price	Description
iDRN-PS-1000	150	Power Supply (switching), 95 to 240 Vac input, 24 Vdc output @ 850 mA (power 7 units)
SOFTWARE		
OPC-SERVER LICENSE	295	OPC Server for Signal Conditioners
iDRX-RS485-SW	Free	Active X Controls and Configuration Software/iDRX Windows 95/98/NT/XP. Free Sample Visual Basic App Source Code.
iDRN-RS232-SW	Free	Active X Controls and Configuration Software/iDRN Windows 95/98/NT. Free Sample Visual Basic App Source Code.
-FS	Free	Factory setup and scaling
ACCESSORIES		
CAT-285	148	Bi-directional RS-232-R3-485 converter for DRX series
DB9-RJ12	30	DB9 to RJ12 Connector Adapter, includes 7ft. RJ12 cord
DB25-RJ12	30	DB25 to RJ12 Connector Adapter, includes 7ft. RJ12 cord
RJ12T	15	RJ12" T" Split Connector for RS-485 instruments, includes 7 ft. RJ12 cord

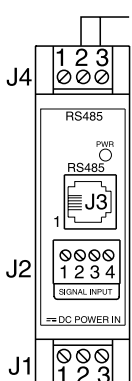


NOTE: DIMENSIONS ARE IN INCHES WITH MILLIMETERS IN [].



iDRN CONNECTIONS

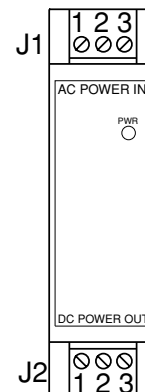
J4 iDRN OUTPUT 1 V (VOLT) 2 I (CURR) 3 ↓ (RTN)	J2 iDRN-ACC 1 RETURN 2 5A 3 1A 4 <100mA	J2 iDRN-FP 1 + EXC 2 + INPUT 3 RESET 4 RTN	J2 iDRN-RTD & iDRN-ST 1 + EXC 2 + SIG 3 - SIG 4 - EXC
J1 iDRN DC PWR IN 1 + 2 - 3 N/C	J2 iDRN-ACV 1 SIG HI 2 N/C 3 N/C 4 SIG LO	J2 iDRN-PR 1 + EXC 2 + V IN 3 + I IN 4 RTN	J2 iDRN-TC 1 +TC 2 -TC



iDRX CONNECTIONS

J4 iDRX RS485 1 - TX / - RX 2 +TX / +RX 3 TER	J2 iDRX-ACC 1 RETURN 2 5A 3 1A 4 <100mA	J2 iDRX-FP 1 + EXC 2 + INPUT 3 RESET 4 RTN	J2 iDRX-RTD & iDRX-ST 1 + EXC 2 + SIG 3 - SIG 4 - EXC
J1 iDRX DC PWR IN 1 + 2 - 3 N/C	J2 iDRX-ACV 1 SIG HI 2 N/C 3 N/C 4 SIG LO	J2 iDRX-PR 1 + EXC 2 + V IN 3 + I IN 4 RTN	J2 iDRX-TC 1 +TC 2 -TC

iDRN-PS-1000 CONNECTIONS



J1 AC PWR INPUT 1 L (LINE) 2 N (NEUTRAL) 3 EARTH GND	J2 DC PWR OUTPUT 1 + 2 - 3 EARTH GND
--	--