

| | |
|------------|-------------------|
| KA-3528EC | HIGHEFFICIENCYRED |
| KA-3528SGC | SUPERBRIGHT GREEN |
| KA-3528SGT | SUPERBRIGHT GREEN |
| KA-3528YC | YELLOW |

Features

- SINGLE COLOR.
- SUITABLE FOR ALL SMT ASSEMBLY AND SOLDER PROCESS.
- AVAILABLE ON TAPE AND REEL.
- IDEAL FOR BACKLIGHTING.
- PACKAGE : 1500PCS / REEL.

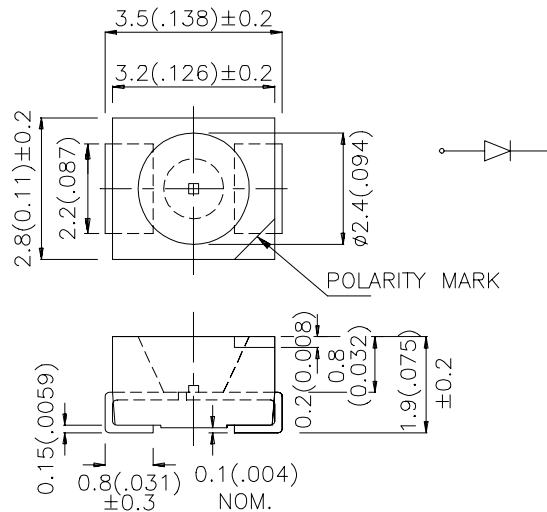
Description

The High Efficiency Red source color devices are made with Gallium Arsenide Phosphide on Gallium Phosphide Orange Light Emitting Diode.

The Super Bright Green source color devices are made with Gallium Phosphide Green Light Emitting Diode.

The Yellow source color devices are made with Gallium Arsenide Phosphide on Gallium Phosphide Yellow Light Emitting Diode.

Package Dimensions



Notes:

1. All dimensions are in millimeters (inches).
2. Tolerance is ±0.25(0.01") unless otherwise noted.
3. Lead spacing is measured where the lead emerge package.
4. Specifications are subject to change without notice.

Selection Guide

| Part No. | Dice | Lens Type | Iv (mcd) @ 20 mA | | Viewing Angle |
|------------|--------------------------------|-------------------|---------------------|------|------------------|
| | | | Min. | Typ. | 2θ1/2 |
| KA-3528EC | HIGH EFFICIENCY RED(GaAsP/GaP) | WATER CLEAR | 8 | 30 | 120° |
| KA-3528SGC | SUPER BRIGHT GREEN (GaP) | WATER CLEAR | 7 | 20 | 120° |
| KA-3528SGT | SUPER BRIGHT GREEN (GaP) | GREEN TRANSPARENT | 12 | 30 | 120° |
| KA-3528YC | YELLOW (GaAsP/GaP) | WATER CLEAR | 4 | 15 | 120° |

Note:

1. θ1/2 is the angle from optical centerline where the luminous intensity is 1/2 the optical centerline value.

Electrical / Optical Characteristics at T_A=25°C

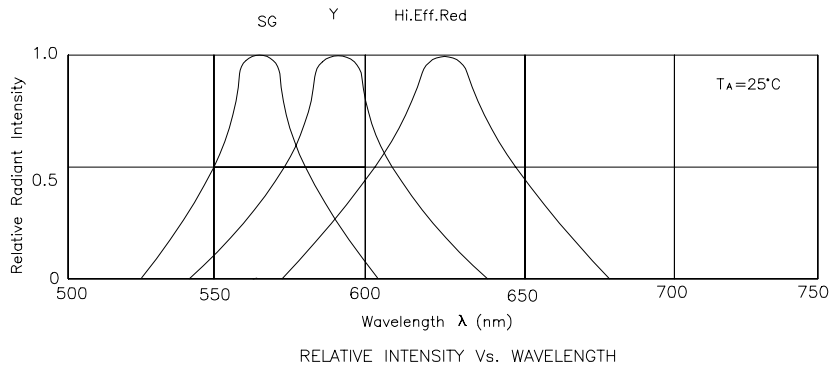
| Symbol | Parameter | Device | Typ. | Max. | Units | Test Conditions |
|-------------------|-------------------------|---|-------------------|-------------------|-------|---------------------------|
| λ _{peak} | Peak Wavelength | High Efficiency Red Super Bright Green Yellow | 627 565 590 | | nm | IF=20mA |
| λ _D | Dominate Wavelength | High Efficiency Red Super Bright Green Yellow | 625 568 588 | | nm | IF=20mA |
| Δλ _{1/2} | Spectral Line Halfwidth | High Efficiency Red Super Bright Green Yellow | 45 30 35 | | nm | IF=20mA |
| C | Capacitance | High Efficiency Red Super Bright Green Yellow | 15 15 20 | | pF | V _F =0V;f=1MHz |
| V _F | Forward Voltage | High Efficiency Red Super Bright Green Yellow | 2.0 2.2 2.1 | 2.5 2.5 2.5 | V | IF=20mA |
| I _R | Reverse Current | All | | 10 | μA | V _R = 5V |

Absolute Maximum Ratings at T_A=25°C

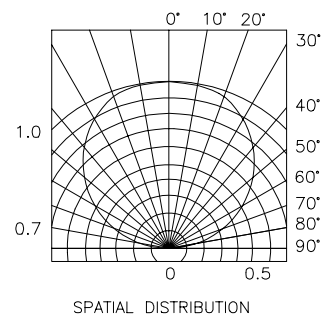
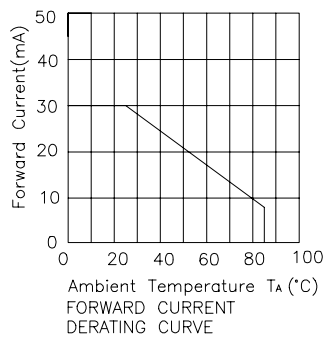
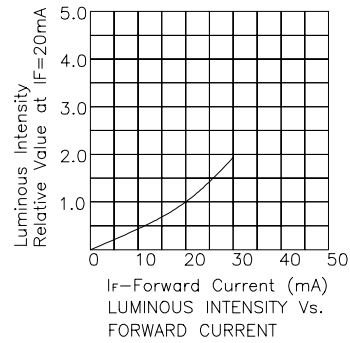
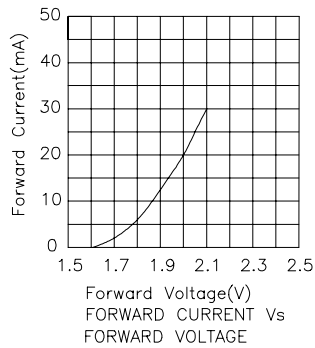
| Parameter | High Efficiency Red | Super Bright Green | Yellow | Units |
|-------------------------------|---------------------|--------------------|--------|-------|
| Power dissipation | 105 | 105 | 105 | mW |
| DC Forward Current | 30 | 25 | 30 | mA |
| Peak Forward Current [1] | 160 | 140 | 140 | mA |
| Reverse Voltage | 5 | 5 | 5 | V |
| Operating/Storage Temperature | -40°C To +85°C | | | |

Note:

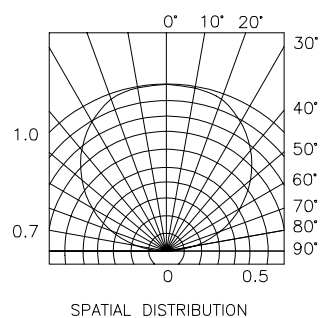
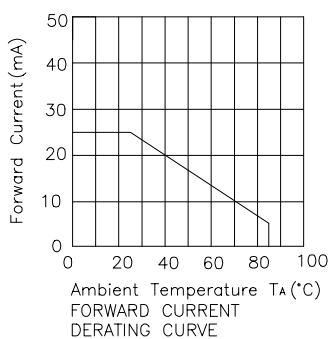
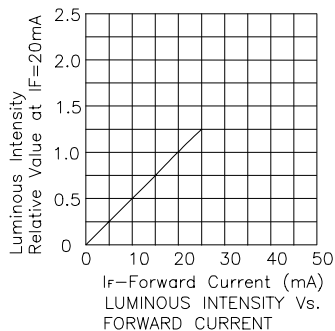
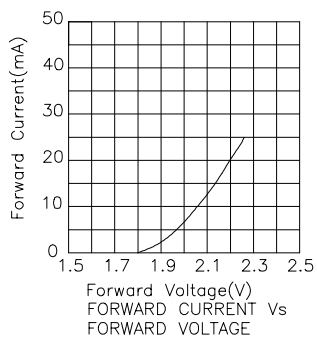
1. 1/10 Duty Cycle, 0.1ms Pulse Width.



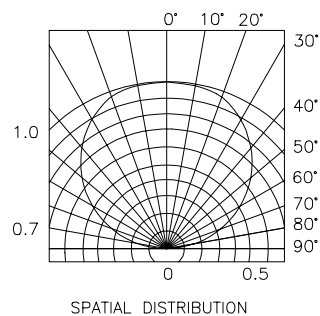
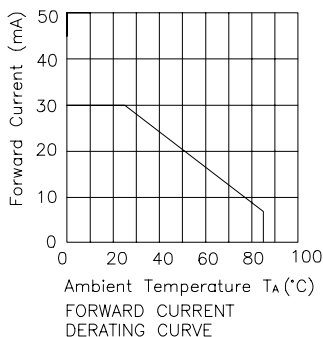
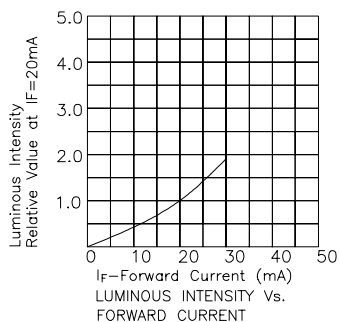
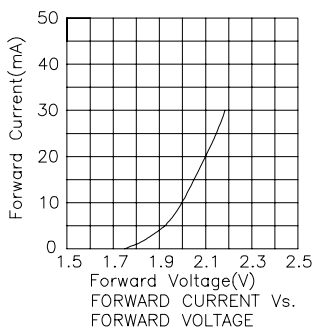
High Efficiency Red KA-3528EC



Super Bright Green KA-3528SGC ,KA-3528SGT

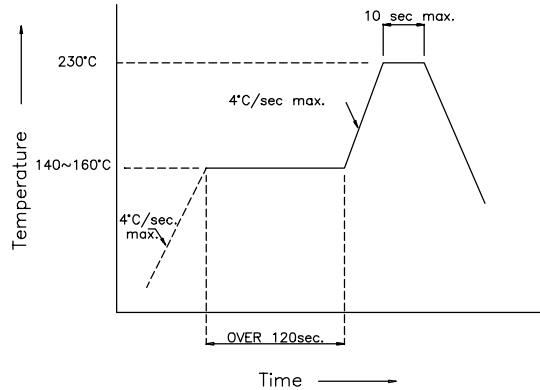


Yellow KA-3528YC

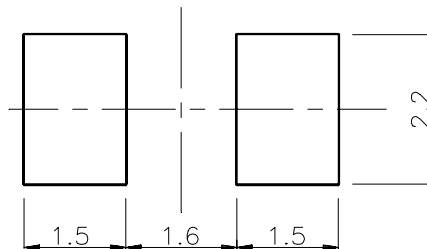


KA-3528ESGC,KA-3528SGT SMT Reflow Soldering Instructions

Number of reflow process shall be less than 2 times and cooling process to normal temperature is required between first and second soldering process.



Recommended Soldering Pattern (Units : mm)



Tape Specifications (Units : mm)

