

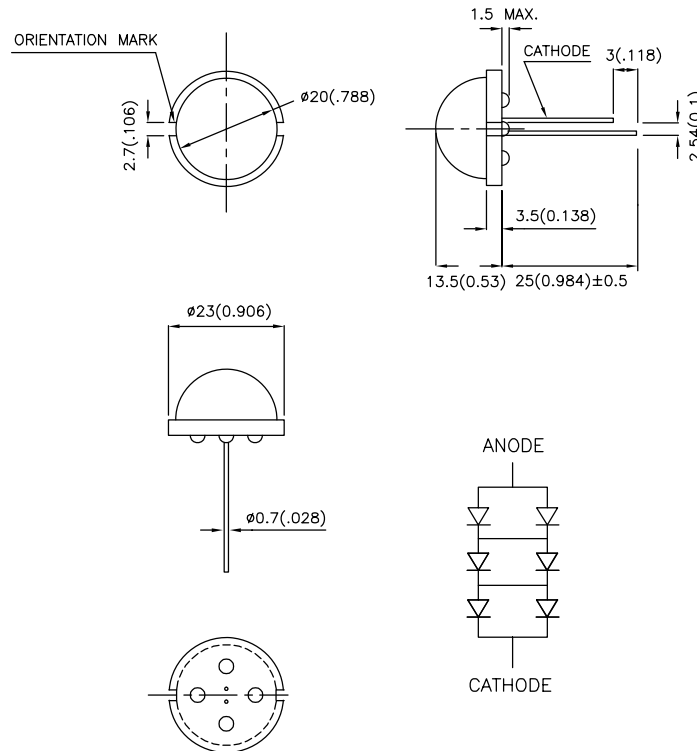
### Features

- 2 PINS.
- HIGH LUMINOUS INTENSITY.
- LOW POWER CONSUMPTION.
- WIDE VIEWING ANGLE.
- CATEGORIZED FOR LUMINOUS INTENSITY.
- EXCELLENT ON/OFF CONTRAST.
- EASY MOUNTING ON P.C. BOARD OR SOCKETS.
- SOLID STATE RELIABILITY.
- RoHS COMPLIANT.

### Description

The Yellow source color devices are made with Gallium Arsenide Phosphide on Gallium Phosphide Yellow Light Emitting Diode.

### Package Dimensions & Internal Circuit Diagram



**Notes:**

1. All dimensions are in millimeters (inches).
2. Tolerance is  $\pm 0.25$  (0.01") unless otherwise noted.
3. Lead spacing is measured where the leads emerge from the package.
4. Specifications are subject to change without notice.



## Selection Guide

Part No.	Dice	Lens Type	Iv (mcd) [2] @ 10mA		Viewing Angle[1]
			Min.	Typ.	2θ1/2
DLC2/6YD	YELLOW (GaAsP/GaP)	YELLOW DIFFUSED	7	37.18	120°

Notes:

1. θ1/2 is the angle from optical centerline where the luminous intensity is 1/2 the optical centerline value.
2. Luminous Intensity / Luminous Flux: +/-15%.

## Electrical / Optical Characteristics at TA=25°C

Symbol	Parameter	Device	Typ.	Max.	Units	Test Conditions
$\lambda_{peak}$	Peak Wavelength	Yellow	590		nm	IF=10mA
$\lambda_D$ [1]	Dominant Wavelength	Yellow	588		nm	IF=10mA
$\Delta\lambda_{1/2}$	Spectral Line Half-width	Yellow	35		nm	IF=10mA
C	Capacitance	Yellow	20		pF	VF=0V;f=1MHz
VF [2]	Forward Voltage	Yellow	5.85	7.5	V	IF=10mA
IR	Reverse Current	Yellow		20	uA	VR = 15V

Notes:

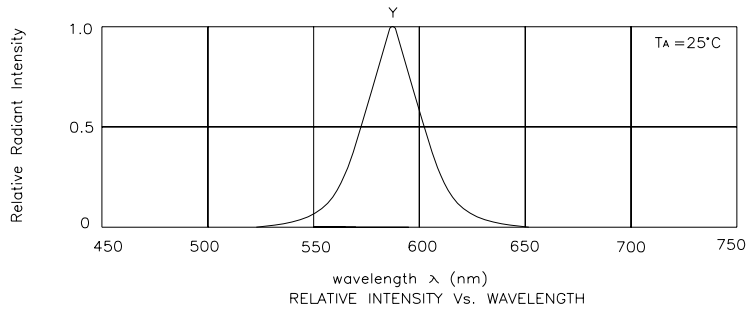
1. Wavelength: +/-1nm.
2. Forward Voltage: +/-0.1V.

## Absolute Maximum Ratings at TA=25°C

Parameter	Yellow	Units
Power dissipation	450	mW
DC Forward Current[1]	60	mA
Reverse Voltage	15	V
Operating/Storage Temperature	-40°C To +85°C	
Lead Solder Temperature [2]	260°C For 3~5 Seconds	

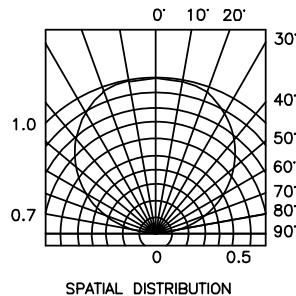
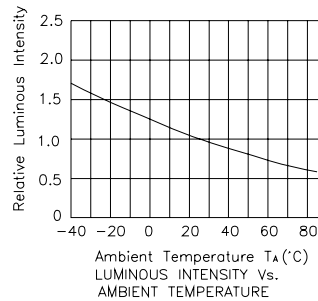
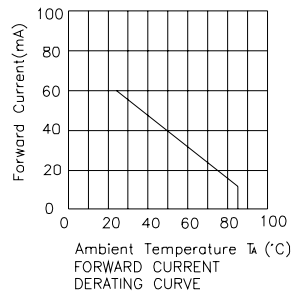
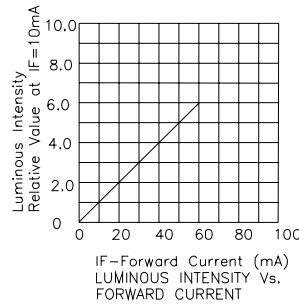
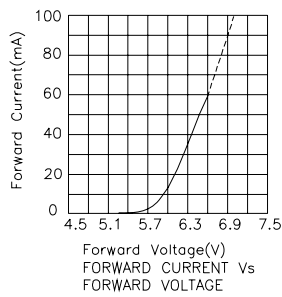
Notes:

1. The chips are three in series and two parallel.
2. 2mm below package base.



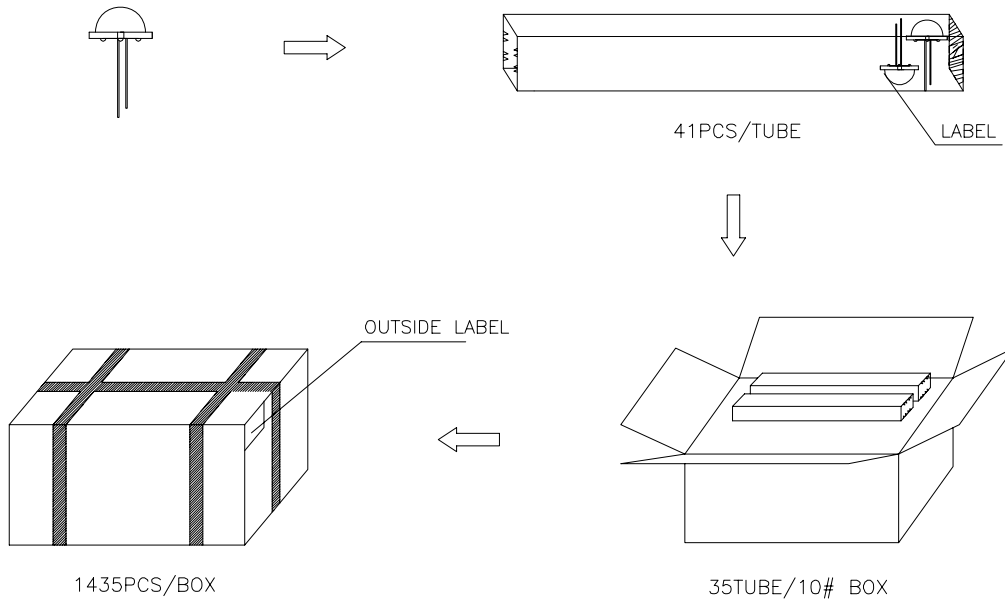
Yellow

DLC2/6YD

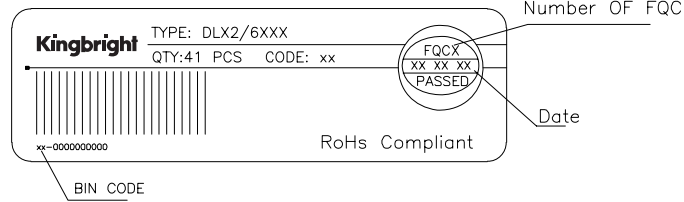


## PACKING & LABEL SPECIFICATIONS

## DLC2/6YD



Inside LABEL Paste On The IC-tube



Outside LABEL Paste On The Box

