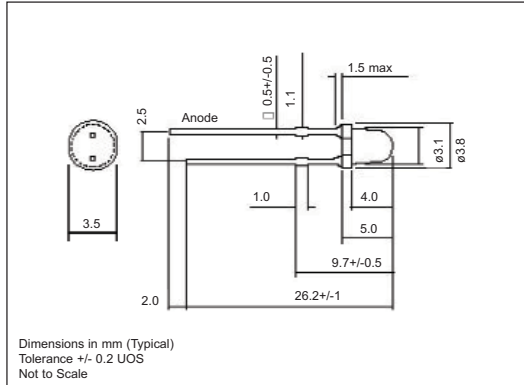


## DISCRETE LEDs - Ø 3mm BLUE



- High intensity
- Also available as a 5mm device
- Solid state reliability
- Can be supplied in bulb replacement and panel mounting formats



100046 SERIES

## Ordering Information &amp; Typical Technical Characteristics (Ta = 25°C)

\* Duty Cycle &lt;= 1/10, Pulse Width &lt;= 10msec

PART NUMBER	COLOUR	TYP. FWD VOLTAGE Vf@Iopr	MAX FWD VOLTAGE Vf@Iopr	FORWARD CURRENT Iopr	MAX REV CURRENT Ir(Vr=5V)	TYPICAL LUMINOUS INTENSITY Iv@Iopr	TYPICAL CHROMATICITY COORDINATES @Iopr	VIEWING ANGLE 2θ½
OPTICAL/ELECTRICAL CHARACTERISTICS (Ta = 25°C)								
100046	Blue	3.6	4.0	20	50	700	0.13 / 0.075	45
<b>UNITS</b>	<b>Water Clear</b>	<b>V</b>	<b>V</b>	<b>mA</b>	<b>uA</b>	<b>mcd</b>	<b>x / y</b>	<b>deg</b>

PART NUMBER	COLOUR	FORWARD CURRENT Iopr max	PEAK FWD CURRENT Ifp *	REVERSE VOLTAGE Vr max	POWER DISSIPATION P dmax	DOM WAVELENGTH Typ. λd	OPERATING TEMP Topr	STORAGE TEMP Tstg
ABSOLUTE MAXIMUM RATINGS (Ta = 25°C)								
100045T	Blue	30	100	5	120	470	-30 to +85	-40 to +100
<b>UNITS</b>	<b>Water Clear</b>	<b>mA</b>	<b>mA</b>	<b>Vdc</b>	<b>mW</b>	<b>nm</b>	<b>°C</b>	<b>°C</b>

**PRECAUTIONS FOR HANDLING ELECTROSTATIC SENSITIVE LEDs****Static Electricity and Surge**

Static electricity and surge will damage the LED and a high standard of care must be taken during handling. It is recommended that a wristband, conductive mat or anti-electrostatic glove is used when handling the LEDs. All devices, equipment (e.g. soldering iron points) and machinery must be properly grounded.

**SAFETY PRECAUTIONS FOR HANDLING HIGH BRIGHTNESS LEDs**

The light output of the Products may cause injuries to human eyes in circumstances where they are viewed directly with unshielded eyes for more than a few seconds.

Please refer to European Standard BSEN 100015-1 1992 for further information.