



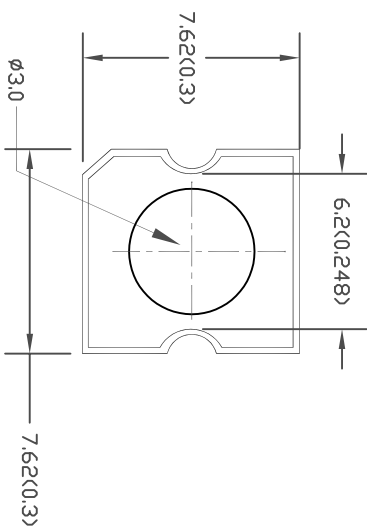
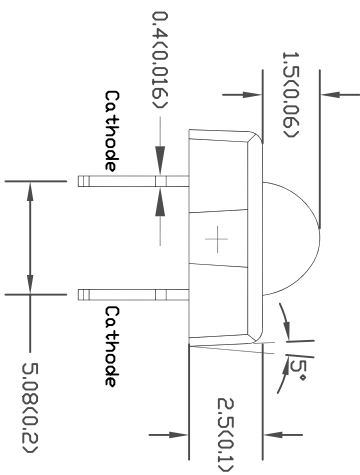
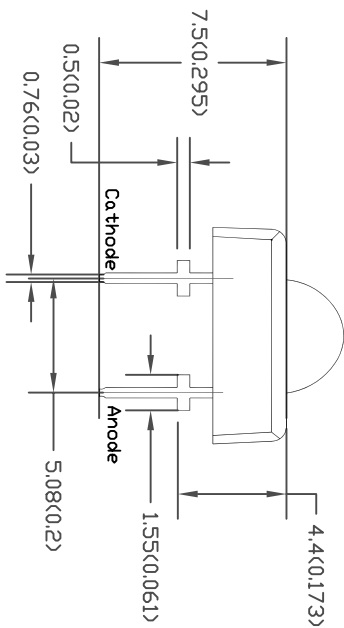
SPC
TECHNOLOGY

ALL RIGHTS RESERVED. NO PORTION OF THIS PUBLICATION, WHETHER IN WHOLE OR IN PART CAN BE REPRODUCED WITHOUT THE EXPRESS WRITTEN CONSENT OF SPC TECHNOLOGY.

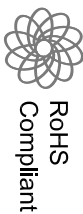
SPC-F005JLVG

REVISONS		DOC. NO.	SPC-F005	*	Effective	7/8/02	*	Doc No	1398
DOP #	REV	DESCRIPTION	DRAWN	DATE	CHECKD	DATE	APPRVI	DATE	
XX	XX	XXXX	XXXX	10-09-08	XXXX	10-09-08	XXXX	10-09-08	
XXXX	XXXX		XXXX	10-09-08	XXXX	10-09-08	XXXX	10-09-08	

Package Dimension:



Part No	Chip Material	Lens Color	Source Color
ETG-PRG605-70	AlGaInP	Water Clear	Super Bright Orange



RoHS
Compliant

- Notes:
1. All dimensions are in millimeters (inches).
 2. Tolerance is $\pm 0.25\text{mm}$ (0.010) unless otherwise noted.
 3. Protruded resin under flange is $10\mu\text{m}$ (0.4) max.
 4. Lead spacing is measured where the leads emerge from the package.
 5. Specifications are subject to change without notice.
 6. This data-sheet only valid for six months.

TOLERANCES:

UNLESS OTHERWISE SPECIFIED, DIMENSIONS ARE FOR REFERENCE PURPOSES ONLY.

DRAWN BY:	DATE:
XXXX	10-09-08
CHECKED BY:	DATE:
XXXX	10-09-08
APPROVED BY:	DATE:
XXXX	10-09-08

DRAWING TITLE:

Multi-Color LED

SIZE	DWG. NO.	ELECTRONIC FILE	REV
A	MC24166	02P5890	
SCALE:	NTS	U.D.M:	INCHES [mm]
		SHEET:	1 OF 1

DISCLAIMER:
ALL STATEMENTS AND TECHNICAL INFORMATION CONTAINED HEREIN ARE BASED UPON INFORMATION AND/OR TESTS WE BELIEVE TO BE ACCURATE AND RELIABLE. SINCE CONDITIONS OF USE ARE BEYOND OUR CONTROL, THE USER SHALL DETERMINE THE SUITABILITY OF THE PRODUCT FOR THE INTENDED USE AND ASSUME ALL RISK AND LIABILITY WHATSOEVER IN CONNECTION THEREWITH.



SPC
TECHNOLOGY

ALL RIGHTS RESERVED. NO PORTION OF THIS PUBLICATION, WHETHER IN WHOLE OR IN PART CAN BE REPRODUCED WITHOUT THE EXPRESS WRITTEN CONSENT OF SPC TECHNOLOGY.

SPC-F005.DWG

REVISONS		DOC. NO. SPC-F005	* Effective: 7/6/02	* DCP No: 1398
DCP #	REV	DESCRIPTION	DATE	DATE
XX	XX	XXXX	23-09-08	XXXX
XXXX	XXXX		23-09-08	XXXX

Absolute Maximum Ratings

(Ta=25°C)

Parameter	Max.	Unit
Power Dissipation	120	mW
Peak Forward Current (1/10 Duty Cycle, 0.1ms Pulse Width)	100	mA
Continuous Forward Current	50	mA
Derating Linear From 50°C	0.4	mA/°C
Reverse Voltage	5	V
Operating Temperature Range	-40°C to +80°C	
Storage Temperature Range	-40°C to +80°C	
Lead Soldering Temperature (4mm(15/7) From Body)	260°C for 5 Seconds	

Electro-optical Characteristics

(Ta=25°C)

Parameter	Symbol	Min.	Typ.	Max.	Unit	Test Condition
Luminous Intensity	Iv	1000	1300	---	mcđ	If=50mA (Note 1)
Viewing Angle	2θ _{1/2}	---	70	---	Deg	(Note 2)
Peak Emission Wavelength	λp	---	610	---	nm	If=50mA
Dominant Wavelength	λd	---	606	611	nm	If=50mA (Note 3)
Spectral Line Half-Width	*Cλ	15	20	25	nm	If=50mA
Forward Voltage	Vf	---	2.0	2.5	V	If=50mA
Reverse Current	Ir	---	---	100	μA	Vr=5V

Notes:

- Luminous intensity is measured with a light sensor and filter combination that approximates the CIE eye-response curve.
- θ_{1/2} is the off-axis angle at which the luminous intensity is half the axial luminous intensity
- The dominant wavelength (λd) is derived from the CIE Chromaticity diagram and represents the single wavelength which defines the color of the device.



RoHS
Compliant

TOLERANCES:

DRAWN BY: XXXX

DATE: 23-09-08

DRAWING TITLE: Multi Color LED

Multi Color LED

ELECTRONIC FILE

REV

UNLESS OTHERWISE SPECIFIED, DIMENSIONS ARE FOR REFERENCE PURPOSES ONLY.

CHECKED BY: XXXX

DATE: 23-09-08

SIZE DWG. NO. A MC24166

02P5890

XX

APPROVED BY: XXXX

DATE: 23-09-08

SCALE: NTS

U.O.M.: INCHES [mm]

SHEET: 1 OF 1

DISCLAIMER:
ALL STATEMENTS AND TECHNICAL INFORMATION CONTAINED HEREIN ARE BASED UPON INFORMATION AND/OR TESTS WE BELIEVE TO BE ACCURATE AND RELIABLE. SINCE CONDITIONS OF USE ARE BEYOND OUR CONTROL, THE USER SHALL DETERMINE THE SUITABILITY OF THE PRODUCT FOR THE INTENDED USE AND ASSUME ALL RISK AND LIABILITY WHATSOEVER IN CONNECTION THEREWITH.



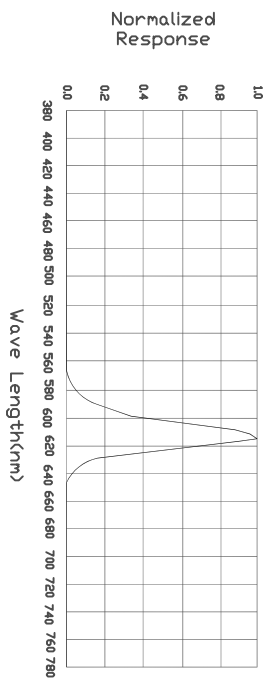
SPC
TECHNOLOGY

ALL RIGHTS RESERVED. NO PORTION OF THIS PUBLICATION,
WHETHER IN WHOLE OR IN PART CAN BE REPRODUCED
WITHOUT THE EXPRESS WRITTEN CONSENT OF SPC
TECHNOLOGY.
SPC-F005.DWG

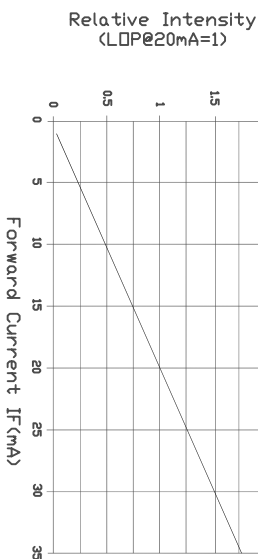
REVISONS		DOC. NO.	SPC-F005	*	Effective	7/8/02	*	DCP No	1398
DCP #	REV	DESCRIPTION	DRAWN	DATE	CHECKD	DATE	APPRV	DATE	
XX	XX	XXXX	XXXX	15-09-08	XXXX	15-09-08	XXXX	15-09-08	
XXXX	XXXX		XXXX	15-09-08	XXXX	15-09-08	XXXX	15-09-08	

Typical Electrical/ Optical Characteristics Curves (25°C Ambient Temperature Unless Otherwise Noted)

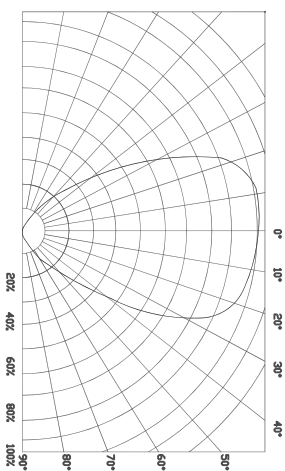
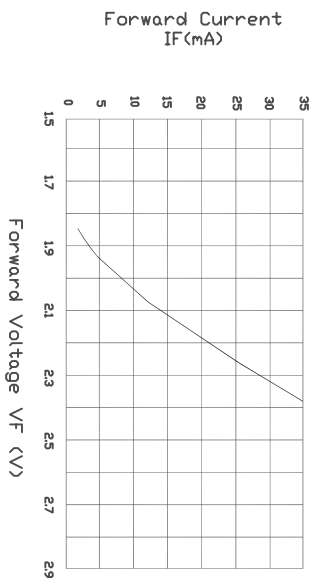
Spectral Radiance (Peak @ 610 nm)



Relative Luminous Intensity vs Forward Current



Forward Current vs Forward Voltage



DISCLAIMER:

ALL STATEMENTS AND TECHNICAL INFORMATION CONTAINED
HEREIN ARE BASED UPON INFORMATION AND/OR TESTS WE
BELIEVE TO BE ACCURATE AND RELIABLE. SINCE
CONDITIONS OF USE ARE BEYOND OUR CONTROL, THE
USER SHALL DETERMINE THE SUITABILITY OF THE PRODUCT
FOR THE INTENDED USE AND ASSUME ALL RISK AND
LIABILITY WHATSOEVER IN CONNECTION THEREWITH.

TOLERANCES:

UNLESS OTHERWISE
SPECIFIED,
DIMENSIONS ARE
FOR REFERENCE
PURPOSES ONLY.

DRAWN BY:	XXXX	DATE:	15-09-08
CHECKED BY:	XXXX	DATE:	15-09-08
APPROVED BY:	XXXX	DATE:	15-09-08

DRAWING TITLE:

Multi - Color LED

SIZE	DWG. NO.	ELECTRONIC FILE	REV
A	MC24166	02P5890	
SCALE:	NTS	U.D.M.: INCHES [mm]	SHEET: 1 OF 1