



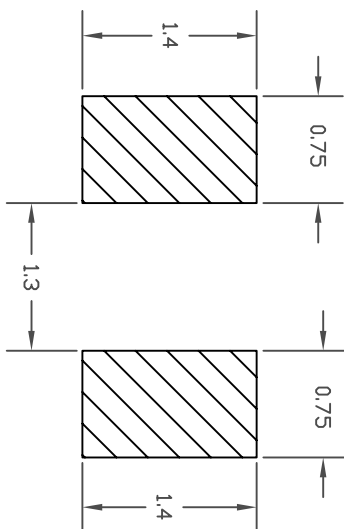
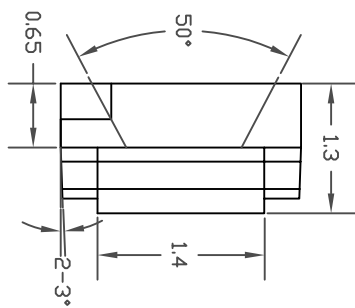
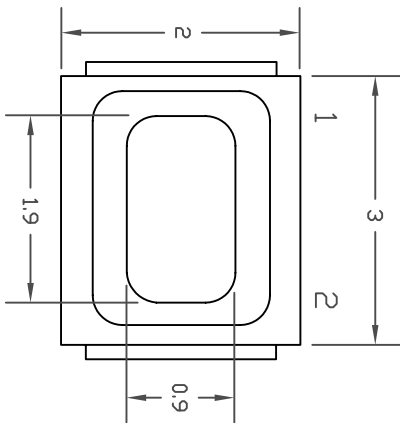
SPC
TECHNOLOGY

ALL RIGHTS RESERVED. NO PORTION OF THIS PUBLICATION, WHETHER IN WHOLE OR IN PART CAN BE REPRODUCED WITHOUT THE EXPRESS WRITTEN CONSENT OF SPC TECHNOLOGY.

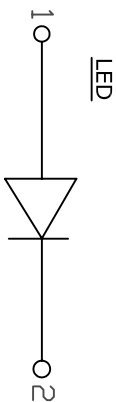
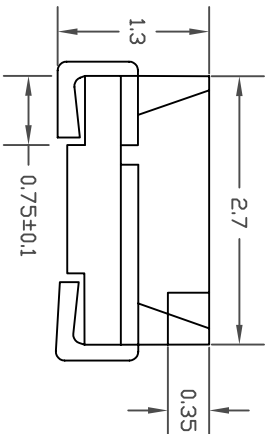
SPC-F005.DWG

REVISIONS				DOC. NO.	SPC-F005	*	Effective	7/8/02	*	DCP No	1398
DCP #	REV	DESCRIPTION	DRAWN	DATE	CHECKD	DATE	APPRVI	DATE			
XX	XX	XXXX	XXXX	24-09-08	XXXX	24-09-08	XXXX	24-09-08			
XXXX	XXXX		XXXX	24-09-08	XXXX	24-09-08	XXXX	24-09-08			

Package Outlines



Recommended Pad Layout



ITEM	MATERIALS
Resin (mold)	Epoxy
Bonding Wire	φ25μm Au
Lens color	Water clear
Printed circuit board	BT (white)
Dice	GaInN/SiC
Emitted color	Blue

- NOTES:
 1. All dimensions are in millimeters (inches);
 2. Tolerance are±0.1mm(0.004inch) unless otherwise noted.



RoHS
Compliant

DISCLAIMER:
 ALL STATEMENTS AND TECHNICAL INFORMATION CONTAINED HEREIN ARE BASED UPON INFORMATION AND/OR TESTS WE BELIEVE TO BE ACCURATE AND RELIABLE. SINCE CONDITIONS OF USE ARE BEYOND OUR CONTROL, THE USER SHALL DETERMINE THE SUITABILITY OF THE PRODUCT FOR THE INTENDED USE AND ASSUME ALL RISK AND LIABILITY WHATSOEVER IN CONNECTION THEREWITH.

TOLERANCES:

UNLESS OTHERWISE SPECIFIED, DIMENSIONS ARE FOR REFERENCE PURPOSES ONLY.

DRAWN BY:	DATE:
XXXX	24-09-08
CHECKED BY:	DATE:
XXXX	24-09-08
APPROVED BY:	DATE:
XXXX	24-09-08

DRAWING TITLE:

Multi Color LED

SIZE	DWG. NO.	ELECTRONIC FILE	REV
A	MC24160	02P5955	XX
SCALE:	NTS	U.D.M:	INCHES [mm]
SHEET:	1	OF	1



SPC
TECHNOLOGY

ALL RIGHTS RESERVED. NO PORTION OF THIS PUBLICATION, WHETHER IN WHOLE OR IN PART CAN BE REPRODUCED WITHOUT THE EXPRESS WRITTEN CONSENT OF SPC TECHNOLOGY.

SPC-F005.DWG

REVISONS		DOC. NO.	SPC-F005	*	Effective	7/8/02	*	DCP No	1398
DCP #	REV	DESCRIPTION		DRAWN	DATE	CHECKD	DATE	APPRVI	DATE
XX	XX	XXXX		XXXX	22-09-08	XXXX	22-09-08	XXXX	22-09-08
XXXX	XXXX			XXXX	22-09-08	XXXX	22-09-08	XXXX	22-09-08

Absolute Maximum Ratings

(TA=25°C)

Parameter	Symbol	Value	Unit
Forward current	If	30	mA
Reverse voltage	Vr	5	V
Power dissipation	Pa	120	mW
Operating temperature range	Top	-20~+80	°C
Storage temperature range	Tstg	-20~+80	°C
Peak pulsing current (1/8 duty f=1kHz)	Ifp	125	mA

Electro-optical Characteristics

(TA=25°C)

Parameter	Test Condition	Symbol	Value			Unit
			Min	Typ	Max	
Wavelength at peak emission	If=20mA	λ_{peak}	518	527	530	nm
Forward voltage	If=20mA	Vf	--	3.5	4.0	V
Luminous intensity	*1 If=20mA	Iv	--	500	--	mcd
Wavelength at domain emission	If=20mA	λ_d	--	525	--	nm
Viewing angle at 50% Iv	If=10mA	2 $\theta_{1/2}$	--	120	--	Deg
Reverse current	Vr=5V	Ir	--	--	10	μ A

* 1 Note: Luminous intensity tolerances are $\pm 10\%$



RoHS
Compliant

DISCLAIMER:
ALL STATEMENTS AND TECHNICAL INFORMATION CONTAINED HEREIN ARE BASED UPON INFORMATION AND/OR TESTS WE BELIEVE TO BE ACCURATE AND RELIABLE. SINCE CONDITIONS OF USE ARE BEYOND OUR CONTROL, THE USER SHALL DETERMINE THE SUITABILITY OF THE PRODUCT FOR THE INTENDED USE AND ASSUME ALL RISK AND LIABILITY WHATSOEVER IN CONNECTION THEREWITH.

TOLERANCES:

UNLESS OTHERWISE SPECIFIED, DIMENSIONS ARE FOR REFERENCE PURPOSES ONLY.

DRAWN BY:	DATE:
XXXX	22-09-08
CHECKED BY:	DATE:
XXXX	22-09-08
APPROVED BY:	DATE:
XXXX	22-09-08

DRAWING TITLE:

Multi Color LED

SIZE	DWG. NO.	ELECTRONIC FILE	REV
A	MC24160	02P5955	XX
SCALE:	NTS	U.D.M:	INCHES [mm]
		SHEET:	1 OF 1



SPC
TECHNOLOGY

ALL RIGHTS RESERVED. NO PORTION OF THIS PUBLICATION,
WHETHER IN WHOLE OR IN PART CAN BE REPRODUCED
WITHOUT THE EXPRESS WRITTEN CONSENT OF SPC
TECHNOLOGY.
SPC-F005.DWG

REVISIONS		DOC. NO. SPC-F005	* Effective: 7/8/02	* DCP No: 1398
DCP #	REV	DESCRIPTION	DATE	CHECKD
XX	XX	XXXX	24-09-08	XXXX
XXXX	XXXX		24-09-08	XXXX
			24-09-08	XXXX
			24-09-08	XXXX
			24-09-08	XXXX

OPTICAL CHARACTERISTICS CURVES

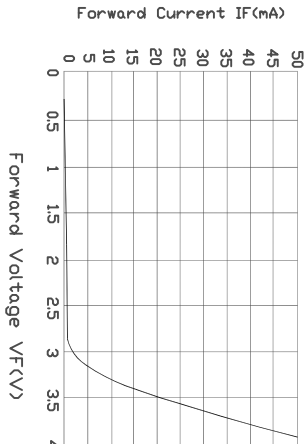


Fig. 1. IF-VF(Ta=25°C)

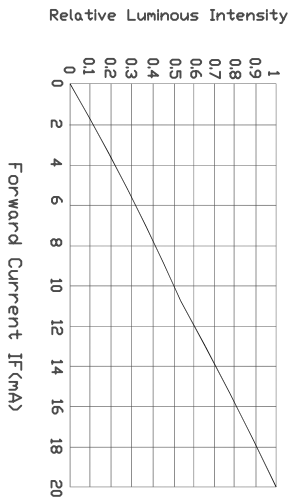


Fig. 2. Relative Luminous Intensity-IF (Ta=25°C)

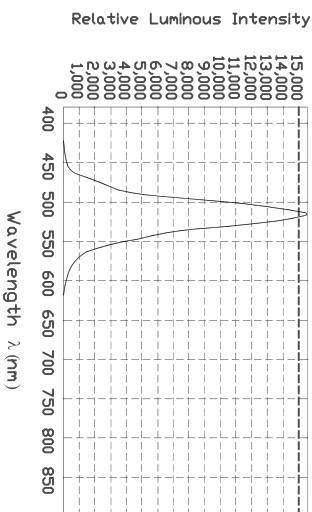


Fig. 3. Wavelength Characteristics (Ta=25°C)

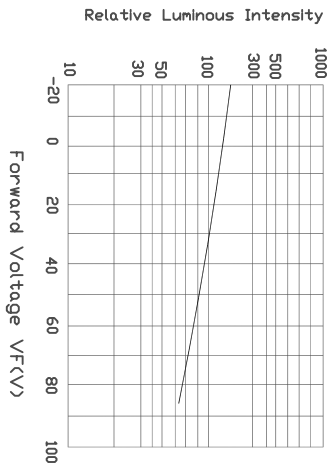


Fig. 4. Relative Luminous Intensity-Ta

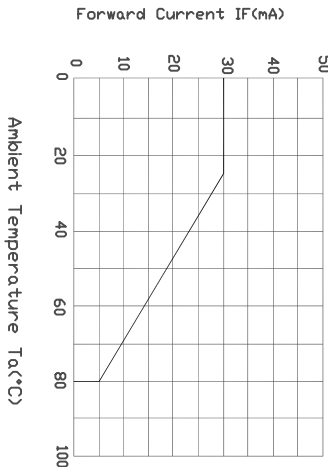
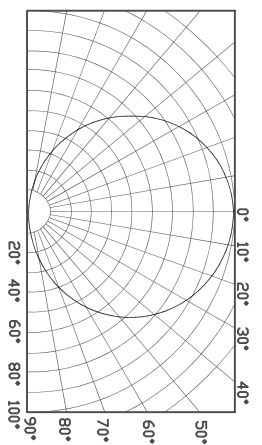


Fig. 5. IF-Ta



Directive Characteristics (Ta=25°C)



RoHS
Compliant

DISCLAIMER:
ALL STATEMENTS AND TECHNICAL INFORMATION CONTAINED
HEREIN ARE BASED UPON INFORMATION AND/OR TESTS WE
BELIEVE TO BE ACCURATE AND RELIABLE. SINCE
CONDITIONS OF USE ARE BEYOND OUR CONTROL, THE
USER SHALL DETERMINE THE SUITABILITY OF THE PRODUCT
FOR THE INTENDED USE AND ASSUME ALL RISK AND
LIABILITY WHATSOEVER IN CONNECTION THEREWITH.

TOLERANCES:
UNLESS OTHERWISE
SPECIFIED,
DIMENSIONS ARE
FOR REFERENCE
PURPOSES ONLY.

DRAWN BY:	DATE:
XXXX	24-09-08
CHECKED BY:	DATE:
XXXX	24-09-08
APPROVED BY:	DATE:
XXXX	24-09-08

DRAWING TITLE:	
Multi Color LED	
SIZE	DWG. NO.
A	MC24160
SCALE:	U.O.M.: INCHES [mm]
NTS	
ELECTRONIC FILE	REV
02P5955	XX
SHEET:	OF
1	1



SPC
TECHNOLOGY

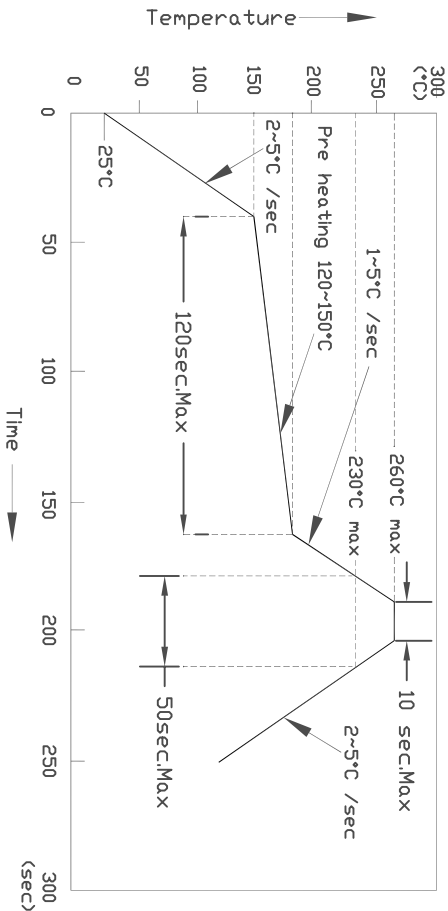
ALL RIGHTS RESERVED. NO PORTION OF THIS PUBLICATION, WHETHER IN WHOLE OR IN PART CAN BE REPRODUCED WITHOUT THE EXPRESS WRITTEN CONSENT OF SPC TECHNOLOGY.

SPC-F005.DWG

REVISONS		DOC. NO.	SPC-F005	*	Effective	7/8/02	*	DCP No	1398
DCP #	REV	DESCRIPTION	DRAWN	DATE	CHECKD	DATE	APPRVI	DATE	
XX	XX	XXXX	XXXX	24-09-08	XXXX	24-09-08	XXXX	24-09-08	
XXXX	XXXX		XXXX	24-09-08	XXXX	24-09-08	XXXX	24-09-08	

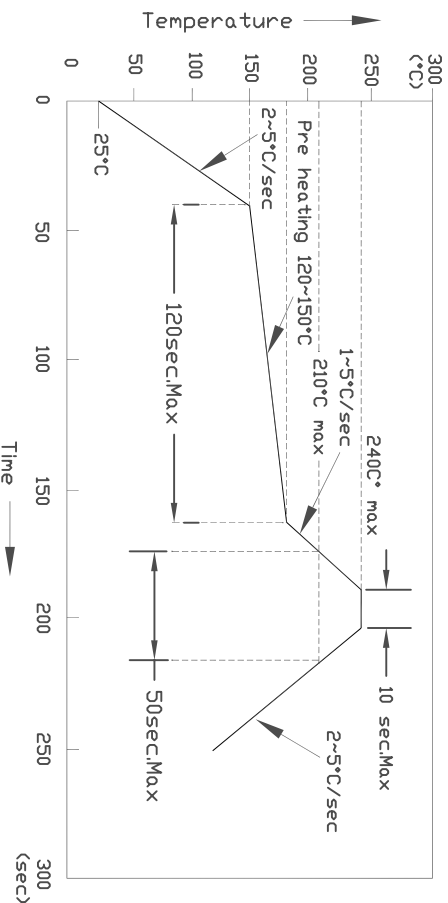
Reflow Profile

**IR Reflow Soldering Profile
Lead Free Solder**

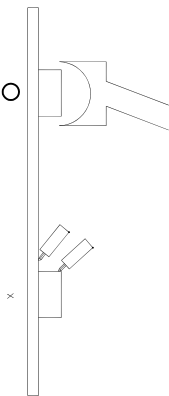


- Reflow Temp/Time

**IR Reflow Soldering Profile
Lead Solder**



- Soldering iron
Basic Spec is ≤ 5 sec when 260°C. If temperature is higher, time should be shorter (+10°C \rightarrow -1sec). Power dissipation of iron should be smaller than 15W and Temperatures should be controllable. Surface temperature of the device should be under 230°C.
- Rework
 1. Customer must finish rework within 5 sec under 260°C.
 2. The head of iron can not touch copper foil
 3. Tin-head type is preferred.



DISCLAIMER:
ALL STATEMENTS AND TECHNICAL INFORMATION CONTAINED HEREIN ARE BASED UPON INFORMATION AND/OR TESTS WE BELIEVE TO BE ACCURATE AND RELIABLE. SINCE CONDITIONS OF USE ARE BEYOND OUR CONTROL, THE USER SHALL DETERMINE THE SUITABILITY OF THE PRODUCT FOR THE INTENDED USE AND ASSUME ALL RISK AND LIABILITY WHATSOEVER IN CONNECTION THEREWITH.

TOLERANCES:

UNLESS OTHERWISE SPECIFIED, DIMENSIONS ARE FOR REFERENCE PURPOSES ONLY.

DRAWN BY:	XXXX	DATE:	24-09-08
CHECKED BY:	XXXX	DATE:	24-09-08
APPROVED BY:	XXXX	DATE:	24-09-08

DRAWING TITLE:

Multi Color LED

SIZE	DWG. NO.	ELECTRONIC FILE	REV
A	MC24160	02P5955	XX
SCALE:	NTS	U.D.M:	INCHES [mm]
SHEET:	1	OF	1



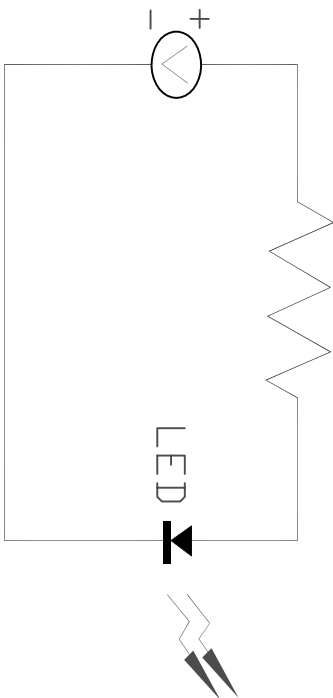
SPC
TECHNOLOGY

ALL RIGHTS RESERVED. NO PORTION OF THIS PUBLICATION, WHETHER IN WHOLE OR IN PART CAN BE REPRODUCED WITHOUT THE EXPRESS WRITTEN CONSENT OF SPC TECHNOLOGY.

SPC-F005.DWG

REVISONS		DOC. NO.	SPC-F005	*	Effective	7/8/02	*	DCP No	1398
DCP #	REV	DESCRIPTION	DRAWN	DATE	CHECKD	DATE	APPRV	DATE	
XX	XX	XXXX	XXXX	22-09-08	XXXX	22-09-08	XXXX	22-09-08	
XXXX	XXXX		XXXX	22-09-08	XXXX	22-09-08	XXXX	22-09-08	

Test Circuit



Handling Precautions

1. Over-current-proof

Customer must apply resistor for protection; otherwise slight voltage shift will cause big current change (Burn out will happen).

2. Storage

2.1 It is recommended to store the products in the following conditions:

Humidity: 60% R.H. Max.

Temperature: 5°C-30°C (41°F-86°F)

2.2 Shelf life in sealed bag: 12 month at <5°C-30°C and <30% RH, after the package is opened, the products should be used within a week or they should be keeping to stored at ≤ 20 R.H. with zip-lock sealed.

3. Baking

It is recommended to baking before soldering when the pack is unsealed after 72hrs. The Conditions are as followsings:

3.1 60±3°C x(12-24hrs) and <5%RH, taped reel type

3.2 100±3°C x(45min-1hr), bulk type

3.3 130±3°C x(15-30min), bulk type

When you discover that the desiccant in the package has a pink color (normal=blue), you should treat them in the same conditions as (3.1-3.3)



RoHS
Compliant

DISCLAIMER:
ALL STATEMENTS AND TECHNICAL INFORMATION CONTAINED HEREIN ARE BASED UPON INFORMATION AND/OR TESTS WE BELIEVE TO BE ACCURATE AND RELIABLE. SINCE CONDITIONS OF USE ARE BEYOND OUR CONTROL, THE USER SHALL DETERMINE THE SUITABILITY OF THE PRODUCT FOR THE INTENDED USE AND ASSUME ALL RISK AND LIABILITY WHATSOEVER IN CONNECTION THEREWITH.

TOLERANCES:

UNLESS OTHERWISE SPECIFIED, DIMENSIONS ARE FOR REFERENCE PURPOSES ONLY.

DRAWN BY:	DATE:	DRAWING TITLE:		SCALE:	U.D.M.	SHEET:	DF
XXXX	22-09-08	Multi Color LED		NTS	INCHES [mm]	1	1
CHECKED BY:	DATE:	SIZE	DWG. NO.	ELECTRONIC FILE		REV	
XXXX	22-09-08	A	MC24160	02P5955		XX	
APPROVED BY:	DATE:						
XXXX	22-09-08						



SPC
TECHNOLOGY

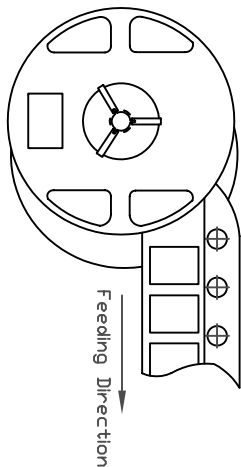
ALL RIGHTS RESERVED. NO PORTION OF THIS PUBLICATION, WHETHER IN WHOLE OR IN PART CAN BE REPRODUCED WITHOUT THE EXPRESS WRITTEN CONSENT OF SPC TECHNOLOGY.

SPC-F005.DWG

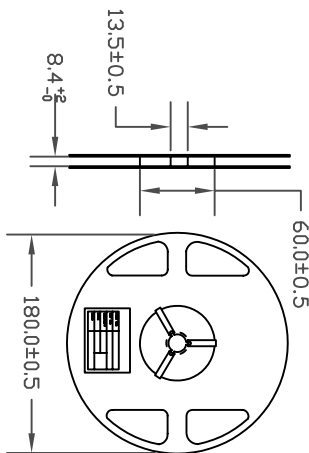
REVISONS		DOC. NO.	SPC-F005	*	Effective	7/8/02	*	Doc No	1398
DCP #	REV	DESCRIPTION	DRAWN	DATE	CHECKD	DATE	APPRVI	DATE	
XX	XX	XXXX	XXXX	22-09-08	XXXX	22-09-08	XXXX	22-09-08	
XXXX	XXXX		XXXX	22-09-08	XXXX	22-09-08	XXXX	22-09-08	

SMD Chip LED Lamps Packaging Specifications

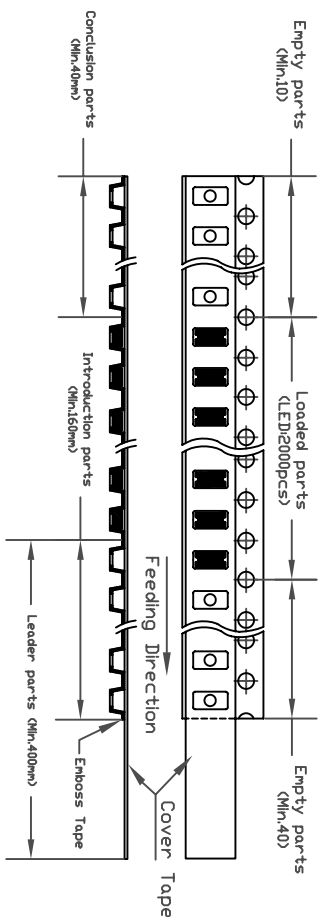
• Feeding Direction



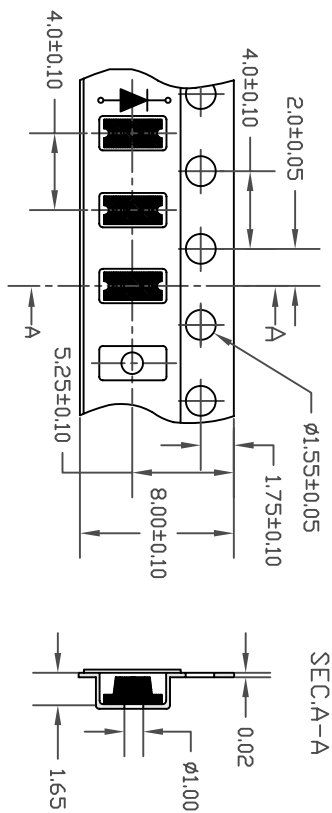
• Dimensions of Reel (Unit: mm)



• Arrangement of Tape



• Dimensions of Tape (Unit: mm)



- NOTES
1. Empty component pockets are sealed with top cover tape
 2. The maximum number of missing lamps is two
 3. The cathode is oriented towards the tape sprocket hole in accordance with ANSI/EIA RS-481 specifications
 4. 2,000 pcs/Reel



DISCLAIMER:

ALL STATEMENTS AND TECHNICAL INFORMATION CONTAINED HEREIN ARE BASED UPON INFORMATION AND/OR TESTS WE BELIEVE TO BE ACCURATE AND RELIABLE. SINCE CONDITIONS OF USE ARE BEYOND OUR CONTROL, THE USER SHALL DETERMINE THE SUITABILITY OF THE PRODUCT FOR THE INTENDED USE AND ASSUME ALL RISK AND LIABILITY WHATSOEVER IN CONNECTION THEREWITH.

TOLERANCES:

UNLESS OTHERWISE SPECIFIED, DIMENSIONS ARE FOR REFERENCE PURPOSES ONLY.

DRAWN BY:	DATE:
XXXX	22-09-08
CHECKED BY:	DATE:
XXXX	22-09-08
APPROVED BY:	DATE:
XXXX	22-09-08

DRAWING TITLE:

Multi Color LED

SIZE	DWG. NO.	ELECTRONIC FILE	REV
A	MC24160	02P5955	XX
SCALE:	U.D.M.:	INCHES [mm]	SHEET:
NTS			1 OF 1