



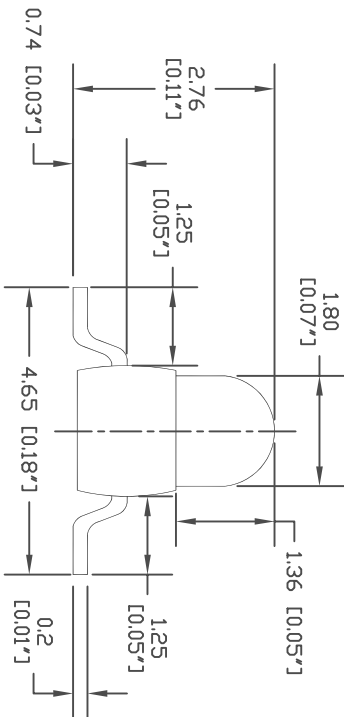
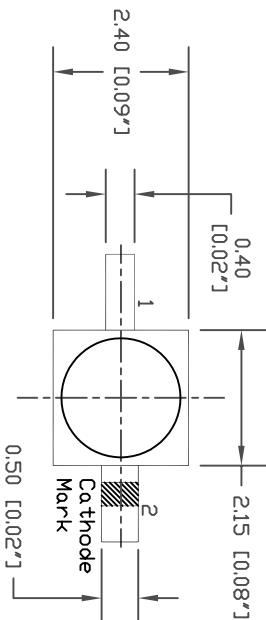
SPC
TECHNOLOGY

ALL RIGHTS RESERVED. NO PORTION OF THIS PUBLICATION, WHETHER IN WHOLE OR IN PART CAN BE REPRODUCED WITHOUT THE EXPRESS WRITTEN CONSENT OF SPC TECHNOLOGY.

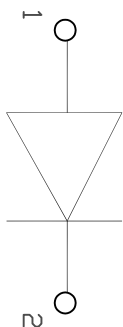
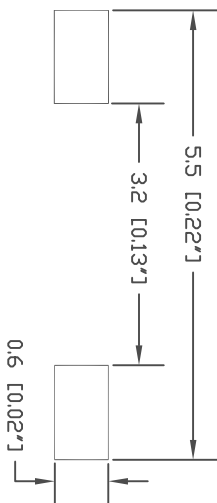
SPC-F005.DWG

REVISONS		DCI. NO.	SPC-F005	*	Effective	7/8/02	*	DCI No	1398
DCP #	REV	DESCRIPTION	DRAWN	DATE	CHECKD	DATE	APPRVI	DATE	
XX	XX	XXXX	XXXX	22-09-08	XXXX	22-09-08	XXXX	22-09-08	
XXXX	XXXX		XXXX	22-09-08	XXXX	22-09-08	XXXX	22-09-08	

Package Outlines



* Recommended Soldering Pattern For Reflow Soldering



ITEM	MATERIALS
Resin (mold)	Epoxy
Bonding Wire	φ25μmAu
Lens color	Water Clear
Dice	InGaN/SiC
Emitted color	Blue



- NOTES:
- All dimensions are in millimeters (inches)
 - Tolerances are ±0.1mm (0.004inch) unless otherwise noted.

TOLERANCES:

DISCLAIMER:
ALL STATEMENTS AND TECHNICAL INFORMATION CONTAINED HEREIN ARE BASED UPON INFORMATION AND/OR TESTS WE BELIEVE TO BE ACCURATE AND RELIABLE. SINCE CONDITIONS OF USE ARE BEYOND OUR CONTROL, THE USER SHALL DETERMINE THE SUITABILITY OF THE PRODUCT FOR THE INTENDED USE AND ASSUME ALL RISK AND LIABILITY WHATSOEVER IN CONNECTION THEREWITH.

UNLESS OTHERWISE SPECIFIED, DIMENSIONS ARE FOR REFERENCE PURPOSES ONLY.

DRAWN BY:	DATE:
XXXX	22-09-08
CHECKED BY:	DATE:
XXXX	22-09-08
APPROVED BY:	DATE:
XXXX	22-09-08

DRAWING TITLE:		Multi Color LED	
SIZE	DWG. NO.	ELECTRONIC FILE	REV
A	MC24132	02P5935	XX
SCALE:	NTS	U.D.M:	INCHES [mm]
		SHEET:	1 OF 1



SPC
TECHNOLOGY

ALL RIGHTS RESERVED. NO PORTION OF THIS PUBLICATION, WHETHER IN WHOLE OR IN PART CAN BE REPRODUCED WITHOUT THE EXPRESS WRITTEN CONSENT OF SPC TECHNOLOGY.

SPC-F005.DWG

REVISONS		DESCRIPTION		DOC. NO.	SPC-F005	*	Effective	7/8/02	*	DCP No	1398
DCP #	REV			DRAWN	DATE	CHECKD	DATE	APPRVI	DATE		
XX	XX	XXXX		XXXX	24-09-08	XXXX	24-09-08	XXXX	24-09-08		
XXXX	XXXX			XXXX	24-09-08	XXXX	24-09-08	XXXX	24-09-08		

Absolute Maximum Ratings

(TA=25°C)

Parameter	Symbol	Value	Unit
Power dissipation	Pd	120	mW
Forward current	If	30	mA
Reverse voltage	Vr	5	V
Operating temperature range	Top	-20~+80	°C
Storage temperature range	Tstg	-20~+80	°C
Peak pulsing current (1/8 duty f=1kHz)	Ifp	125	mA
Lead Soldering Temperature	Tsol	260°C For 5 SEC (5mm[0.20"] from body)	

Electro-optical Characteristics

(TA=25°C)

Parameter	Test Condition	Symbol	Value			Unit
			Min	Typ	Max	
Wavelength at peak emission	If=20mA	λ_{peak}	500	505	515	nm
Spectral half bandwidth	If=20mA	$\Delta\lambda$	--	34	--	nm
Dominant wavelength	If=20mA	λ_{dom}	--	505	--	nm
Forward voltage	If=20mA	Vf	--	3.5	4.0	V
Luminous intensity	*1 If=20mA	Iv	--	300	--	mcd
Viewing angle at 50% Iv	If=10mA	2 $\theta_{1/2}$	--	20	--	deg
Reverse current	Vr=5V	Ir	--	--	10	μ A

* 1 Note: Luminous intensity tolerances are \pm 10%



RoHS
Compliant

DISCLAIMER:
ALL STATEMENTS AND TECHNICAL INFORMATION CONTAINED HEREIN ARE BASED UPON INFORMATION AND/OR TESTS WE BELIEVE TO BE ACCURATE AND RELIABLE. SINCE CONDITIONS OF USE ARE BEYOND OUR CONTROL, THE USER SHALL DETERMINE THE SUITABILITY OF THE PRODUCT FOR THE INTENDED USE AND ASSUME ALL RISK AND LIABILITY WHATSOEVER IN CONNECTION THEREWITH.

TOLERANCES:

UNLESS OTHERWISE SPECIFIED, DIMENSIONS ARE FOR REFERENCE PURPOSES ONLY.

DRAWN BY:	DATE:
XXXX	24-09-08
CHECKED BY:	DATE:
XXXX	24-09-08
APPROVED BY:	DATE:
XXXX	24-09-08

DRAWING TITLE:

Multi Color LED

SIZE	DWG. NO.	ELECTRONIC FILE	REV
A	MC24132	02P5935	XX
SCALE:	NTS	U.D.M.: INCHES [mm]	SHEET: 1 OF



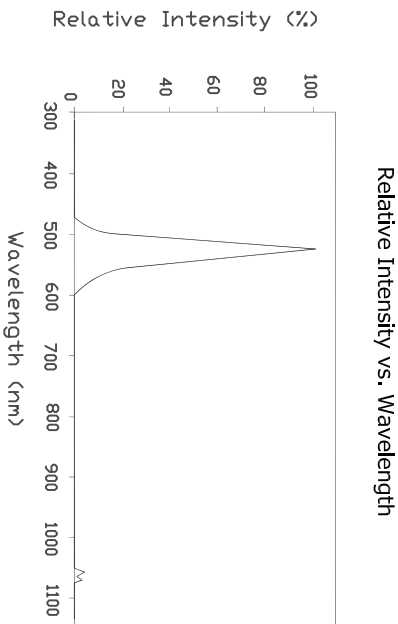
SPC
TECHNOLOGY

ALL RIGHTS RESERVED. NO PORTION OF THIS PUBLICATION,
WHETHER IN WHOLE OR IN PART CAN BE REPRODUCED
WITHOUT THE EXPRESS WRITTEN CONSENT OF SPC
TECHNOLOGY.

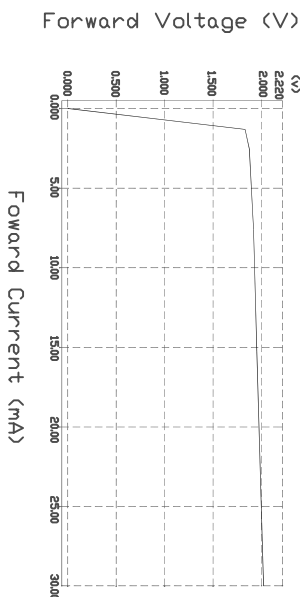
SPC-F005.DWG

REVISIONS		DOC. NO. SPC-F005	Effective: 7/8/02		DCP No: 1398			
DCP #	REV	DESCRIPTION	DRAWN	DATE	CHECKD	DATE	APPRD	DATE
XX	XX	XXXX	XXXX	22-09-08	XXXX	22-09-08	XXXX	22-09-08
XXXX	XXXX		XXXX	22-09-08	XXXX	22-09-08	XXXX	22-09-08

OPTICAL CHARACTERISTIC CURVES

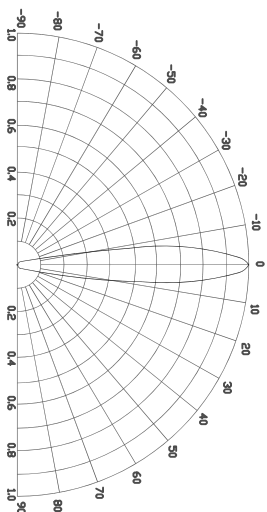


Relative Intensity vs. Wavelength



Forward Current vs. Forward Voltage

Directive Characteristics



RoHS
Compliant

DISCLAIMER:
ALL STATEMENTS AND TECHNICAL INFORMATION CONTAINED
HEREIN ARE BASED UPON INFORMATION AND/OR TESTS WE
BELIEVE TO BE ACCURATE AND RELIABLE. SINCE
CONDITIONS OF USE ARE BEYOND OUR CONTROL, THE
USER SHALL DETERMINE THE SUITABILITY OF THE PRODUCT
FOR THE INTENDED USE AND ASSUME ALL RISK AND
LIABILITY WHATSOEVER IN CONNECTION THEREWITH.

TOLERANCES:

UNLESS OTHERWISE
SPECIFIED,
DIMENSIONS ARE
FOR REFERENCE
PURPOSES ONLY.

DRAWN BY:	XXXX	DATE:	22-09-08
CHECKED BY:	XXXX	DATE:	22-09-08
APPROVED BY:	XXXX	DATE:	22-09-08

DRAWING TITLE:

Multi Color LED

SIZE	DWG. NO.	ELECTRONIC FILE	REV
A	MC24132	02P5935	XX
SCALE:	NTS	U.O.M.: INCHES [mm]	SHEET: 1 OF 1



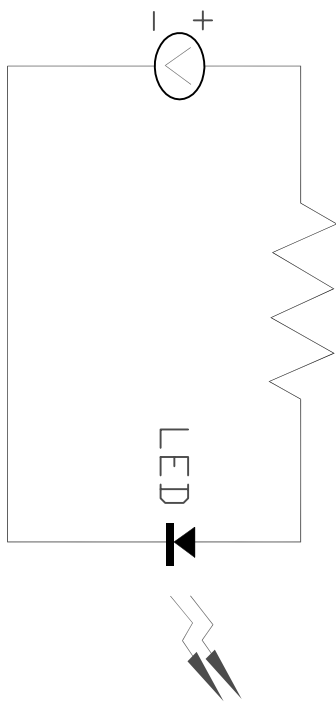
SPC
TECHNOLOGY

ALL RIGHTS RESERVED. NO PORTION OF THIS PUBLICATION, WHETHER IN WHOLE OR IN PART CAN BE REPRODUCED WITHOUT THE EXPRESS WRITTEN CONSENT OF SPC TECHNOLOGY.

SPC-F005.DWG

REVISIONS				DOC. NO. SPC-F005	* Effective: 7/6/02	* DCP No.: 1398		
DCP #	REV	DESCRIPTION	DRAWN	DATE	CHECKD	DATE	APPRD	DATE
XX	XX	XXXX	XXXX	22-09-08	XXXX	22-09-08	XXXX	22-09-08
XXXX	XXXX		XXXX	22-09-08	XXXX	22-09-08	XXXX	22-09-08

■ Test Circuit



■ Handling Precautions

1. Over-current-proof

Customer must apply resistor for protection; otherwise slight voltage shift will cause big current change (Burn out will happen).

2. Storage

2.1 It is recommended to store the products in the following conditions:

Humidity: 60% R.H. Max.

Temperature: 5°C-30°C (41°F-86°F)

2.2 Shelf life in sealed bag: 12 month at <5°C-30°C and <30% RH, after the package is opened, the products should be used within a week or they should be keeping to stored at ≤20 RH, with zip-lock sealed.

3. Baking

It is recommended to baking before soldering when the pack is unsealed after 72hrs.

The Conditions are as followsings:

3.1 60±3°C x(12-24hrs) and <5%RH, taped reel type

3.2 100±3°C x(45min-1hr), bulk type

3.3 130±3°C x(15-30min), bulk type

When you discover that the desiccant in the package has a pink color (normal=blue), you should treat them in the same conditions as (3.1-3.3)



RoHS
Compliant

DISCLAIMER:
ALL STATEMENTS AND TECHNICAL INFORMATION CONTAINED HEREIN ARE BASED UPON INFORMATION AND/OR TESTS WE BELIEVE TO BE ACCURATE AND RELIABLE. SINCE CONDITIONS OF USE ARE BEYOND OUR CONTROL, THE USER SHALL DETERMINE THE SUITABILITY OF THE PRODUCT FOR THE INTENDED USE AND ASSUME ALL RISK AND LIABILITY WHATSOEVER IN CONNECTION THEREWITH.

TOLERANCES:
UNLESS OTHERWISE SPECIFIED, DIMENSIONS ARE FOR REFERENCE PURPOSES ONLY.

DRAWN BY:	DATE:
XXXX	22-09-08
CHECKED BY:	DATE:
XXXX	22-09-08
APPROVED BY:	DATE:
XXXX	22-09-08

DRAWING TITLE:			
Multi Color LED			
SIZE	DWG. NO.	ELECTRONIC FILE	REV
A	MC24132	02P5935	XX
SCALE:	NTS	U.O.M.: INCHES [mm]	SHEET: 1 OF 1



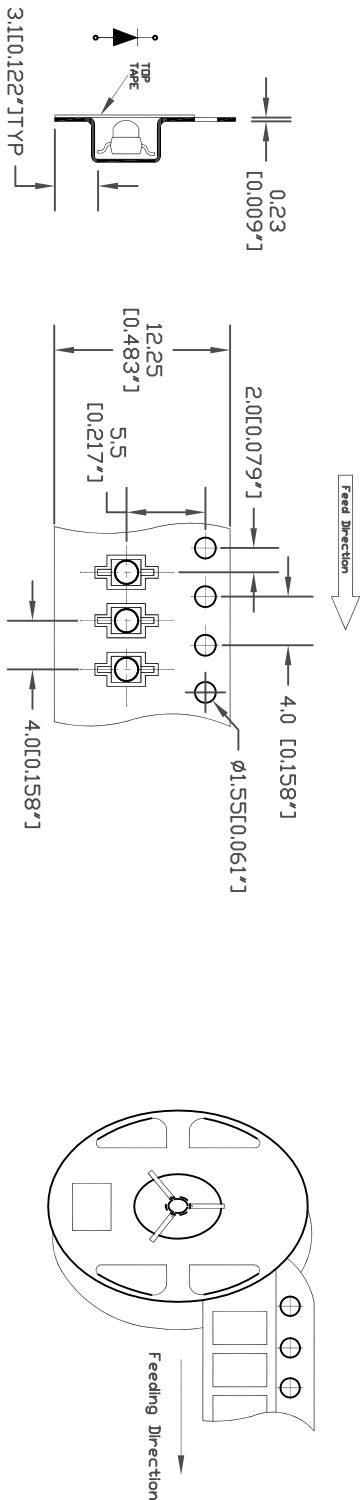
SPC
TECHNOLOGY

ALL RIGHTS RESERVED. NO PORTION OF THIS PUBLICATION,
WHETHER IN WHOLE OR IN PART CAN BE REPRODUCED
WITHOUT THE EXPRESS WRITTEN CONSENT OF SPC
TECHNOLOGY.

SPC-F005.DWG

REVISONS		DOC. NO.	SPC-F005	*	Effective	7/8/02	*	Doc No	1398
DCP #	REV	DESCRIPTION	DRAWN	DATE	CHECKD	DATE	APPRVI	DATE	
XX	XX	XXXX	XXXX	22-09-08	XXXX	22-09-08	XXXX	22-09-08	
XXXX	XXXX		XXXX	22-09-08	XXXX	22-09-08	XXXX	22-09-08	

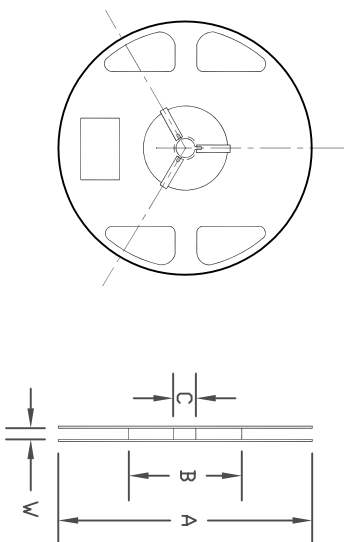
• Packing Specifications



Dimensions per ANSY/EIA Standard RS-481	
All dimensions are in Millimeters (Inches).	
A	180 [7.09]
B	60 [2.36]
C	135 [0.53]
W	125 [0.50]
Thickness of top cover tape 0.1 [0.004"] MAX	

NOTES:

1. Empty component pockets are sealed with top cover tape!
2. Minimum leader length of both ends of the tape is 450mm
3. The maximum number of missing lamps is two!
4. The Cathode is oriented towards the tape sprocket hole
5. 1000pcs/Reel



RoHS
Compliant

DISCLAIMER:
ALL STATEMENTS AND TECHNICAL INFORMATION CONTAINED
HEREIN ARE BASED UPON INFORMATION, AND/OR TESTS WE
BELIEVE TO BE ACCURATE AND RELIABLE. SINCE
CONDITIONS OF USE ARE BEYOND OUR CONTROL, THE
USER SHALL DETERMINE THE SUITABILITY OF THE PRODUCT
FOR THE INTENDED USE AND ASSUME ALL RISK AND
LIABILITY WHATSOEVER IN CONNECTION THEREWITH.

TOLERANCES:

UNLESS OTHERWISE
SPECIFIED,
DIMENSIONS ARE
FOR REFERENCE
PURPOSES ONLY.

DRAWN BY:	DATE:
XXXX	22-09-08
CHECKED BY:	DATE:
XXXX	22-09-08
APPROVED BY:	DATE:
XXXX	22-09-08

DRAWING TITLE:

Multi Color LED

SIZE	DWG. NO.	ELECTRONIC FILE	REV
A	MC24132	02P5935	XX
SCALE:	NTS	U.D.M:	INCHES [mm]
		SHEET:	1 OF 1