



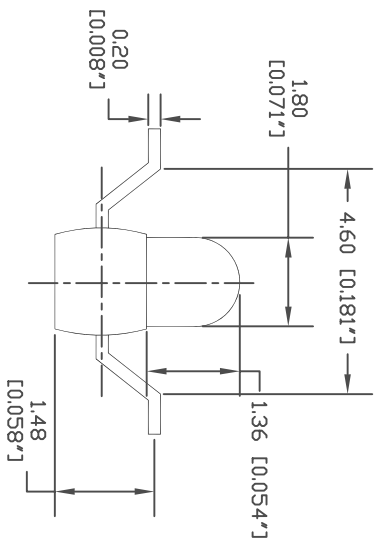
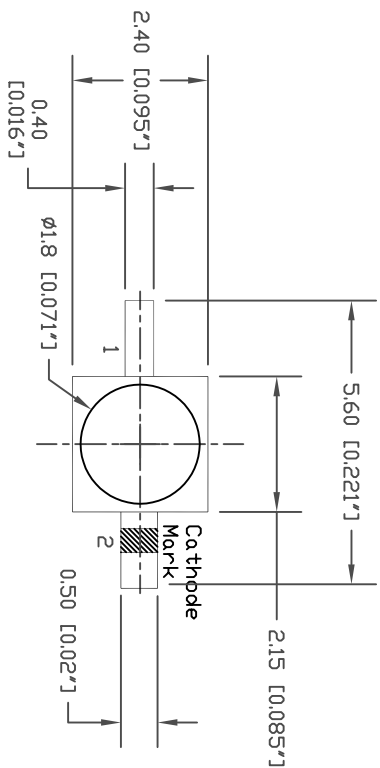
SPC  
TECHNOLOGY

ALL RIGHTS RESERVED. NO PORTION OF THIS PUBLICATION,  
WHETHER IN WHOLE OR IN PART CAN BE REPRODUCED  
WITHOUT THE EXPRESS WRITTEN CONSENT OF SPC  
TECHNOLOGY.

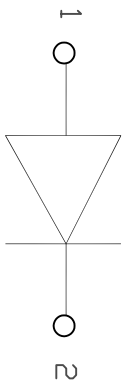
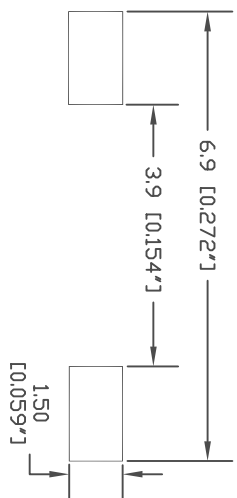
SPC-F005.DWG

REVISIONS				DOC. NO.	SPC-F005	*	Effective	7/8/02	*	Doc No	1398
DCP #	REV	DESCRIPTION	DRAWN	DATE	CHECKD	DATE	APPRV	DATE			
XX	XX	XXXX	XXXX	15-09-08	XXXX	15-09-08	XXXX	15-09-08			
XXXX	XXXX		XXXX	15-09-08	XXXX	15-09-08	XXXX	15-09-08			

**Package Outlines**



**\* Recommended Soldering Pattern For Reflow Soldering**



ITEM	MATERIALS
Resin (mold)	Epoxy
Bonding Wire	φ25μmAu
Lens color	diffused
Dice	InGaIn/SiC
Emitted color	White



- NOTES:**
1. All dimensions are in millimeters (inches);
  2. Tolerances are ±0.1mm (0.004inch) unless otherwise noted.

**DISCLAIMER:**

ALL STATEMENTS AND TECHNICAL INFORMATION CONTAINED  
HEREIN ARE BASED UPON INFORMATION AND/OR TESTS WE  
BELIEVE TO BE ACCURATE AND RELIABLE. SINCE  
CONDITIONS OF USE ARE BEYOND OUR CONTROL, THE  
USER SHALL DETERMINE THE SUITABILITY OF THE PRODUCT  
FOR THE INTENDED USE AND ASSUME ALL RISK AND  
LIABILITY WHATSOEVER IN CONNECTION THEREWITH.

**TOLERANCES:**

UNLESS OTHERWISE  
SPECIFIED,  
DIMENSIONS ARE  
FOR REFERENCE  
PURPOSES ONLY.

DRAWN BY:	DATE:
XXXX	15-09-08
CHECKED BY:	DATE:
XXXX	15-09-08
APPROVED BY:	DATE:
XXXX	15-09-08

**DRAWING TITLE:**

**Multi Color LED**

SIZE	DWG. NO.	ELECTRONIC FILE	REV
A	MC24126	02P5929	XX
SCALE:	NTS	U.D.M:	INCHES [mm]
SHEET:	1	OF	1



SPC  
TECHNOLOGY

ALL RIGHTS RESERVED. NO PORTION OF THIS PUBLICATION, WHETHER IN WHOLE OR IN PART CAN BE REPRODUCED WITHOUT THE EXPRESS WRITTEN CONSENT OF SPC TECHNOLOGY.  
SPC-F005.DWG

REVISONS		DCI. NO.	SPC-F005	*	Effective	7/8/02	*	DCP No	1398
DCP #	REV	DESCRIPTION	DATE	CHECKD	DATE	APPRVI	DATE	DATE	DATE
XX	XX	XXXX	09-09-08	XXXX	09-09-08	XXXX	09-09-08	XXXX	09-09-08
XXXX	XXXX		09-09-08	XXXX	09-09-08	XXXX	09-09-08	XXXX	09-09-08

**Absolute Maximum Ratings**

(TA=25°C)

Parameter	Symbol	Value	Unit
Power dissipation	Pd	115	mW
Forward current	If	30	mA
Reverse voltage	Vr	5	V
Operating temperature range	Top	-20~+80	°C
Storage temperature range	Tstg	-20~+80	°C
Peak pulsing current (1/8 duty f=1kHz)	Ifp	125	mA
Lead Soldering Temperature	Tsol	260°C For 5 SEC (Smt1020*) From body)	

**Electro-optical Characteristics**

(TA=25°C)

Parameter	Test Condition	Symbol	Value		Unit
			Min	Typ	
CIE Coordinates	If=20mA	X Y	0.22 0.22	0.30 0.32	0.38 0.36
Forward voltage	If=20mA	Vf	--	3.5	4
Luminous Intensity	*1 If=20mA	Iv	--	90	mcd
Viewing angle at 50% Iv	If=20mA	2θ1/2	--	20	Deg
Reverse current	Vr=5V	Ir	--	--	10 µA

\* 1 Note: Luminous intensity tolerances are ±10%



RoHS  
Compliant

DISCLAIMER:  
ALL STATEMENTS AND TECHNICAL INFORMATION CONTAINED HEREIN ARE BASED UPON INFORMATION AND/OR TESTS WE BELIEVE TO BE ACCURATE AND RELIABLE. SINCE CONDITIONS OF USE ARE BEYOND OUR CONTROL, THE USER SHALL DETERMINE THE SUITABILITY OF THE PRODUCT FOR THE INTENDED USE AND ASSUME ALL RISK AND LIABILITY WHATSOEVER IN CONNECTION THEREWITH.

TOLERANCES:

UNLESS OTHERWISE SPECIFIED, DIMENSIONS ARE FOR REFERENCE PURPOSES ONLY.

DRAWN BY:	DATE:
XXXX	09-09-08
CHECKED BY:	DATE:
XXXX	09-09-08
APPROVED BY:	DATE:
XXXX	09-09-08

DRAWING TITLE:

Multi Color LED

SIZE	DWG. NO.	ELECTRONIC FILE	REV
A	MC24126	02P5929	XX
SCALE:	NTS	U.D.M:	INCHES [mm]
		SHEET:	1 OF



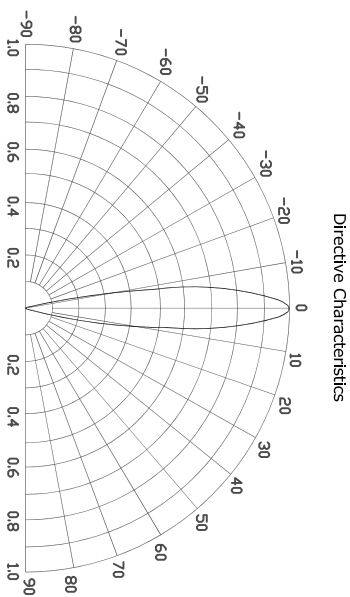
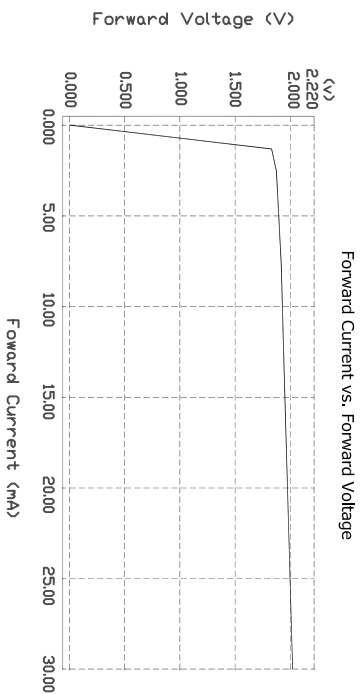
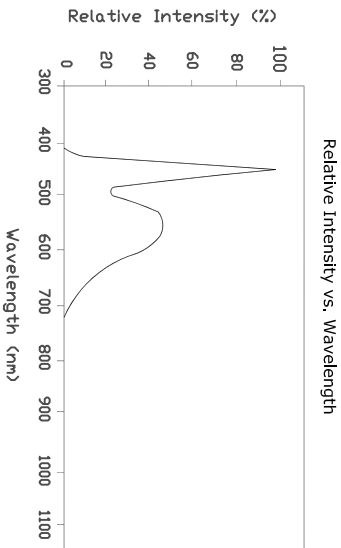
SPC  
TECHNOLOGY

ALL RIGHTS RESERVED. NO PORTION OF THIS PUBLICATION,  
WHETHER IN WHOLE OR IN PART CAN BE REPRODUCED  
WITHOUT THE EXPRESS WRITTEN CONSENT OF SPC  
TECHNOLOGY.

SPC-F005.DWG

REVISIONS		DOC. NO. SPC-F005	* Effective: 7/8/02	* DCP No: 1398				
DCP #	REV	DESCRIPTION	DRAWN	DATE	CHECKD	DATE	APPRD	DATE
XX	XX	XXXX	XXXX	25-09-08	XXXX	25-09-08	XXXX	25-09-08
XXXX	XXXX		XXXX	25-09-08	XXXX	25-09-08	XXXX	25-09-08

### OPTICAL CHARACTERISTIC CURVES



RoHS  
Compliant

DISCLAIMER:  
ALL STATEMENTS AND TECHNICAL INFORMATION CONTAINED  
HEREIN ARE BASED UPON INFORMATION AND/OR TESTS WE  
BELIEVE TO BE ACCURATE AND RELIABLE. SINCE  
CONDITIONS OF USE ARE BEYOND OUR CONTROL, THE  
USER SHALL DETERMINE THE SUITABILITY OF THE PRODUCT  
FOR THE INTENDED USE AND ASSUME ALL RISK AND  
LIABILITY WHATSOEVER IN CONNECTION THEREWITH.

TOLERANCES:  
**UNLESS OTHERWISE  
SPECIFIED,  
DIMENSIONS ARE  
FOR REFERENCE  
PURPOSES ONLY.**

DRAWN BY:	XXXX	DATE:	25-09-08
CHECKED BY:	XXXX	DATE:	25-09-08
APPROVED BY:	XXXX	DATE:	25-09-08

DRAWING TITLE:		Multi Color LED	
SIZE	DWG. NO.	ELECTRONIC FILE	REV
A	MC24126	02P5929	XX
SCALE:	NTS	U.O.M.: INCHES [mm]	SHEET: 1 OF 1



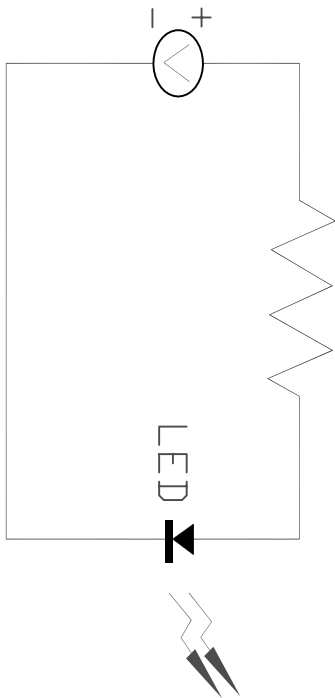
SPC  
TECHNOLOGY

ALL RIGHTS RESERVED. NO PORTION OF THIS PUBLICATION, WHETHER IN WHOLE OR IN PART CAN BE REPRODUCED WITHOUT THE EXPRESS WRITTEN CONSENT OF SPC TECHNOLOGY.

SPC-F005.DWG

REVISIONS				DOC. NO.	SPC-F005	*	Effective	7/8/02	*	DCP No	1398
DGP #	REV	DESCRIPTION	DRAWN	DATE	CHECKD	DATE	APPRVI	DATE			
XX	XX	XXXX	XXXX	25-09-08	XXXX	25-09-08	XXXX	25-09-08			
XXXX	XXXX		XXXX	25-09-08	XXXX	25-09-08	XXXX	25-09-08			

### Test Circuit



### Handling Precautions

- 1. Over-current-proof**  
Customer must apply resistors for protection; otherwise slight voltage shift will cause big current change (Burn out will happen).
- 2. Storage**
  - 2.1 It is recommended to store the products in the following conditions:  
Humidity: 60% RH, Max.  
Temperature: 5°C-30°C (41F-86 F)
  - 2.2 Shelf life in sealed bag: 12 month at <5°C-30°C and <30% RH, after the package is opened, the products should be used within a week or they should be keeping to stored at  $\leq 20$  RH, with zip-lock sealed.

### 3. Baking

It is recommended to baking before soldering when the pack is unsealed after 72hrs.  
The Conditions are as followings:  
 3.1 60±3°C x(12-24hrs) and <5%RH, taped reel type  
 3.2 100±3°C x(45min-1hr), bulk type  
 3.3 130±3°C x(15-30min), bulk type  
 When you discover that the desiccant in the package has a pink color (normal=blue), you should treat them in the same conditions as (3.1-3.3)



RoHS  
Compliant

DISCLAIMER:  
ALL STATEMENTS AND TECHNICAL INFORMATION CONTAINED HEREIN ARE BASED UPON INFORMATION AND/OR TESTS WE BELIEVE TO BE ACCURATE AND RELIABLE. SINCE CONDITIONS OF USE ARE BEYOND OUR CONTROL, THE USER SHALL DETERMINE THE SUITABILITY OF THE PRODUCT FOR THE INTENDED USE AND ASSUME ALL RISK AND LIABILITY WHATSOEVER IN CONNECTION THEREWITH.

TOLERANCES:  
UNLESS OTHERWISE SPECIFIED, DIMENSIONS ARE FOR REFERENCE PURPOSES ONLY.

DRAWN BY:	DATE:
XXXX	25-09-08
CHECKED BY:	DATE:
XXXX	25-09-08
APPROVED BY:	DATE:
XXXX	25-09-08

DRAWING TITLE:			
Multi Color LED		DRAWING TITLE:	
SIZE	DWG. NO.	ELECTRONIC FILE	REV
A	MC24126	02P5929	XX
SCALE:	NTS	U.D.M:	INCHES [mm]
		SHEET:	1 OF 1



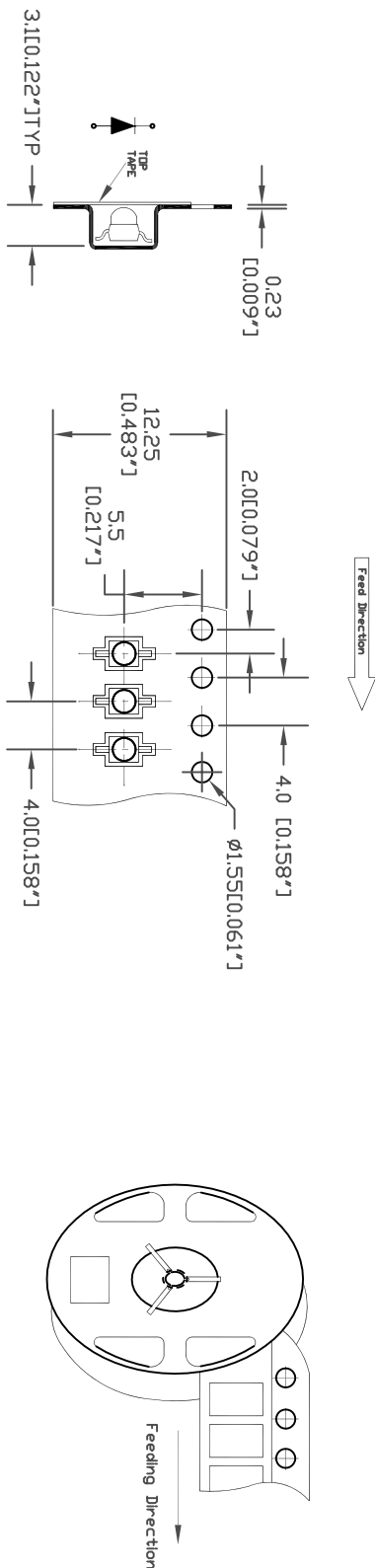
SPC  
TECHNOLOGY

ALL RIGHTS RESERVED. NO PORTION OF THIS PUBLICATION, WHETHER IN WHOLE OR IN PART CAN BE REPRODUCED WITHOUT THE EXPRESS WRITTEN CONSENT OF SPC TECHNOLOGY.

SPC-F005.DWG

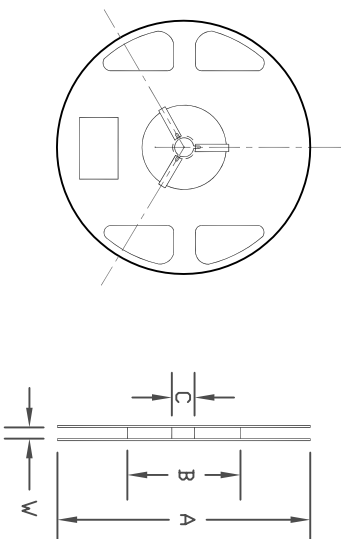
REVISONS		DOC. NO.	SPC-F005	*	Effective	7/8/02	*	DCP No	1398
DCP #	REV	DESCRIPTION		DRAWN	DATE	CHECKD	DATE	APPRVI	DATE
XX	XX	XXXX		XXXX	25-09-08	XXXX	25-09-08	XXXX	25-09-08
XXXX	XXXX			XXXX	25-09-08	XXXX	25-09-08	XXXX	25-09-08

• Packing Specifications



Dimensions per ANSI/EIA Standard RS-481	
All dimensions are in Millimeters (inches).	
A	1807.093
B	602.361
C	13510.531
V	12510.501

Thickness of top cover tape 0.110004" J1 MAX



NOTES:

1. Empty component pockets are sealed with top cover tape
2. Minimum leader length at both ends of the tape is 450mm
3. The maximum number of missing lamps is two
4. The Cathode is oriented towards the tape sprocket hole in accordance with ANSI/EIA RS-481 specifications.
5. 1000pcs/Reel



RoHS  
Compliant

DISCLAIMER:  
ALL STATEMENTS AND TECHNICAL INFORMATION CONTAINED HEREIN ARE BASED UPON INFORMATION AND/OR TESTS WE BELIEVE TO BE ACCURATE AND RELIABLE. SINCE CONDITIONS OF USE ARE BEYOND OUR CONTROL, THE USER SHALL DETERMINE THE SUITABILITY OF THE PRODUCT FOR THE INTENDED USE AND ASSUME ALL RISK AND LIABILITY WHATSOEVER IN CONNECTION THEREWITH.

TOLERANCES:

UNLESS OTHERWISE SPECIFIED, DIMENSIONS ARE FOR REFERENCE PURPOSES ONLY.

DRAWN BY:	DATE:
XXXX	25-09-08
CHECKED BY:	DATE:
XXXX	25-09-08
APPROVED BY:	DATE:
XXXX	25-09-08

DRAWING TITLE:

Multi Color LED

SIZE	DWG. NO.	ELECTRONIC FILE	REV
A	MC24126	02P5929	XX
SCALE:	NTS	U.D.M.:	INCHES [mm]
SHEET:	1	OF	1