

Product Overview

LinkLED™ RGB is an modular red, green and blue light engine, which enables OEMs to easily construct full colour change applications using LED technology.

With simple plug and socket connections can be used for a wide range of applications including architectural detail lighting and signage.

This simple modular approach is ideal for OEMs a quick and flexible Colour solution, and is supplied ready to use complete with plug and socket connections, thermal adhesive backed PCB for direct assembly to metal surfaces

Colour Change using LED technology creates deep saturated colours with the ability for total control which is impossible with any other light source.



Features

- Very long operating life in excess of 50,000 hours
- Simple Plug & Socket Connections
- Thermal Adhesive backed PCB
- Red, Green and Blue cluster for full colour lighting applications.
- Optimised thermal management
- Highest Flux LED technology in the world
- Compact low profile design
- No Ultra Violet
- Energy Efficient

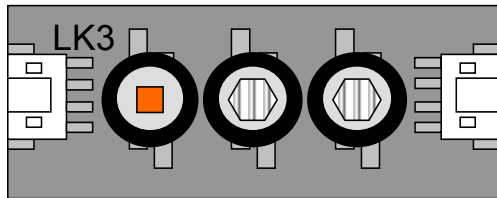
Typical Applications

- Signage
- Back lighting
- Decorative effects
- Fibre Optic Light Engines
- Light Pipes
- Cove and Cornice lighting
- Architectural
- Furniture



Specifications

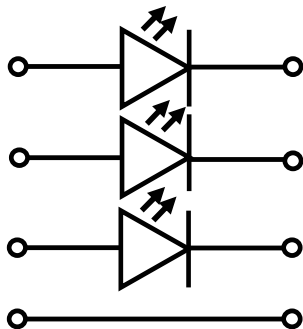
Mechanical Dimensions



Mechanical

Construction : Metal Clad PCB Substrate
 Dimensions : 55 x 25 x 8mm
 Finish : Black Solder resist
 Connections : 4 Way CT Connector

Circuit Configuration



Electrical

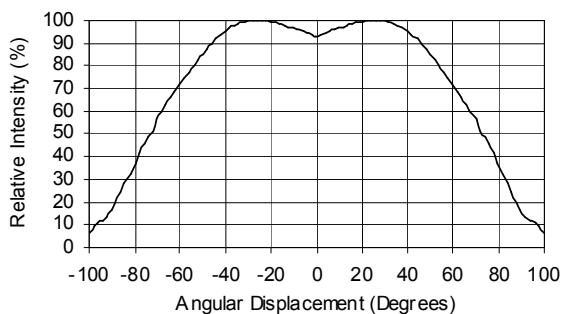
Power consumption max : Red : 1 Watts
 : Green : 1.2 Watts
 : Blue : 1.2 Watts
 Maximum current : 350mA
 Compatible drivers : Colourdriver 36

Environmental

Absolute Maximum PCB temperature : +75°C
 Recommended Maximum PCB temperature : +55 °C
 Lamp life @ 55°C PCB Temperature : 50,000 hours
 Protection : IP00

Optical Characteristics

Radiation Pattern



Notes

- For Full Light output and reliability data consult Luxeon Emitter Data Sheet.
- The LinkLED requires additional heat-sinking and is supplied with a Thermal tape adhesive for direct attachment to a metal surface.
- Warm White product supplied with Batwing distribution

Typical Lumen maintenance 70% at 50,000 hours. Tj 70°C



TYPICAL APPLICATION

4 to 12 modules maximum
using Lumidrive's Colourdriver

