

## LED..O..M Series Diffused On-Axis Lights

Uniform Lighting for Machine Vision Applications

### Features



- Diffused on-axis illumination for uniform lighting on specular surfaces
- Five light colors
- Two sizes available
- Continuous or strobed operation selectable via sensor software
- Glass dust-covered models available (see table below for models ending in -D)
- Bracket options available

### Models

Model		Color	Aper- ture Size	Cable*	Connections	Ambient Light Filter Kit		
Without Dust Cover	With Dust Cover**							
LEDRO50M	LEDRO50M-D	Visible Red (630 nm)	50 mm	0.6 m (2') attached pigtail	8 mm male Pico- style (for direct connection to <i>PresencePLUS</i> P4 sensor)	FLTR		
LEDIO50M	LEDIO50M-D	Infrared (880 nm)				FLTI		
LEDBO50M	LEDBO50M-D	Blue (470 nm)				FLTB		
LEDWO50M	LEDWO50M-D	White (5500K)				—		
LEDGO50M	LEDGO50M-D	Green (530 nm)				FLTG		
LEDRO100M	LEDRO100M-D	Visible Red (630 nm)	100 mm			0.6 m (2') attached pigtail	8 mm male Pico- style (for direct connection to <i>PresencePLUS</i> P4 sensor)	FLTR
LEDIO100M	LEDIO100M-D	Infrared (880 nm)						FLTI
LEDBO100M	LEDBO100M-D	Blue (470 nm)						FLTB
LEDWO100M	LEDWO100M-D	White (5500K)						—
LEDGO100M	LEDGO100M-D	Green (530 nm)						FLTG

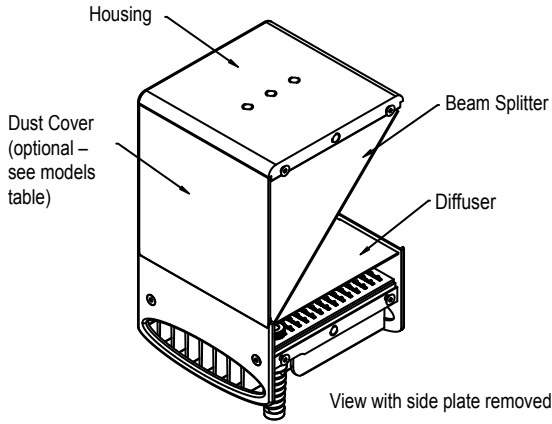
\* Extension cables with flying leads are available for connecting to models other than *PresencePLUS* P4.

\*\* Optical glass anti-reflective coating, both sides

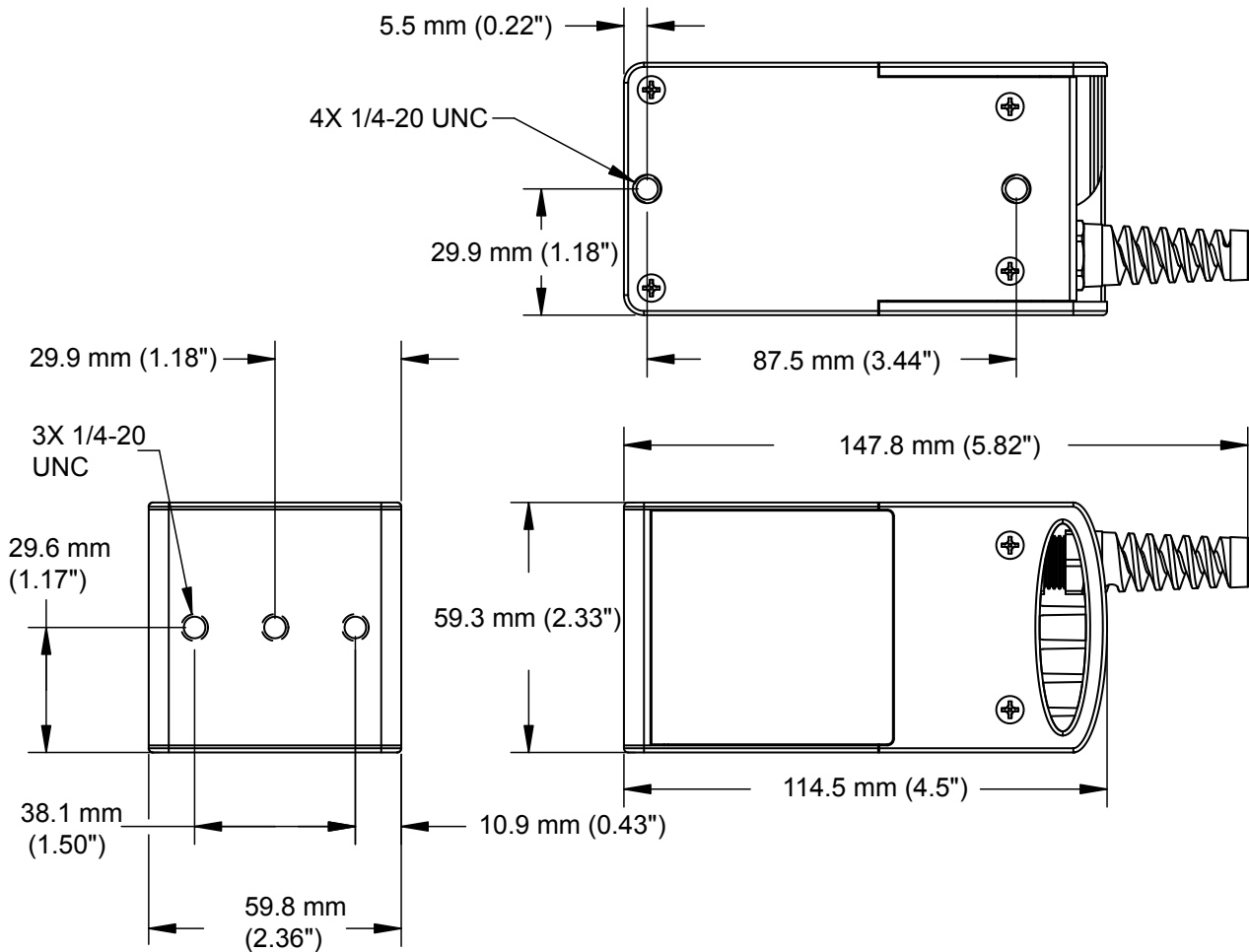
## Specifications

Feature	Description
<b>Light Source</b>	Visible red LED (630 nm), Infrared (880 nm), Blue (470 nm), White (5500 K), or Green (530 nm), depending on model
<b>Supply Voltage and Current</b>	24V dc $\pm$ 10% 500 mA max., 125 mA max for 50 mm models. Direct connect to <i>PresencePLUS</i> P4 sensor operating at 24V dc only.
<b>Construction</b>	<p><b>Housing:</b> Aluminum with black anodizing</p> <p><b>Beam Splitter:</b> Optical glass with optical coatings on both sides.</p> <p><b>Diffuser:</b> High-precision cast acrylic</p> <p><b>Dust Cover:</b> Optical glass with broadband anti-reflective coating (425 – 675 nm) (some models)</p>
<b>Useful Life</b>	When operated within specifications, output will decrease less than 20% after 10,000 hours and less than 30% after 20,000 hours (based on continuous operation). NOTE: Actual useful life of strobed lights depends on duty cycle.
<b>Operating Conditions</b>	<p><b>Temperature:</b> 0° to +50° C (+32° to +122° F)</p> <p><b>Maximum Relative Humidity:</b> 90% at 50° C (non-condensing)</p>
<b>Cleaning Instructions</b>	<p>Regularly remove any dust, dirt, or fingerprints from the light source:</p> <ol style="list-style-type: none"> <li>1. Blow off dust using anti-static compressed air.</li> <li>2. If necessary, use a lens cloth and lens cleaner or window cleaner to wipe off remaining debris.</li> </ol> <p>Do not use any other chemicals for cleaning.</p>
<b>Installation Note</b>	<p>Before installing an on-axis light, it is recommended that the listed ambient light filter be installed behind the camera lens.</p> <p>The filter improves image quality by reducing unwanted ambient light.</p> <p><b>100 mm models:</b> 50 x 50 mm suggested field of view and 25 mm minimum suggested stand off</p> <p><b>50 mm models:</b> 25 x 25 mm suggested field of view and 25 mm minimum suggested stand off</p>

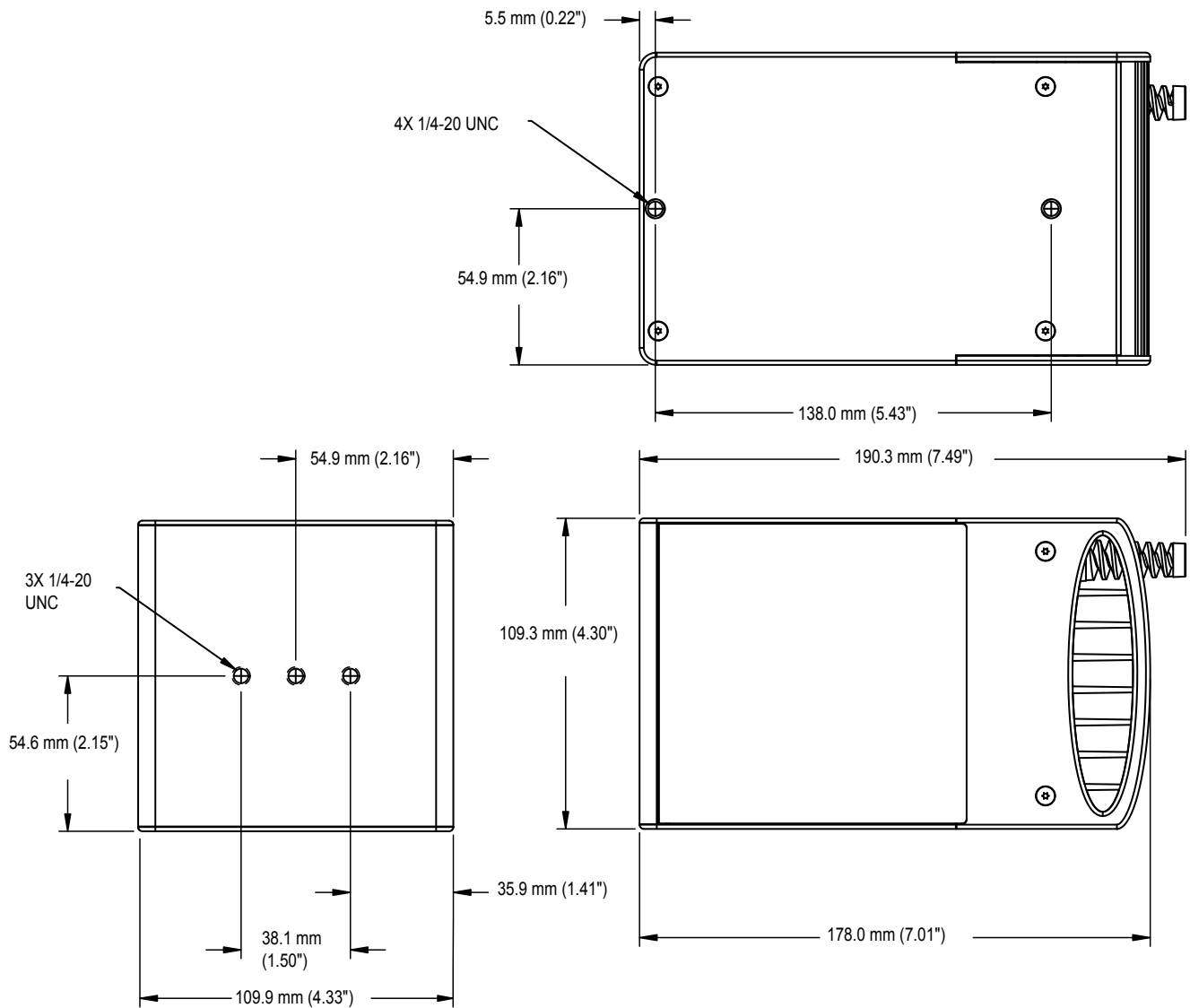
**Dimensions**



**50 mm Models**



100 mm Models






**Wiring Table**


On-Axis Light Wire	PresencePLUS Pro Controller Terminal Block	External Power Supply (Strobed)	External Power Supply (Continuous)
<b>Brown</b>	Pin 1, +V (24V dc ±10%)	+V	+V
<b>Blue</b>	Pin 2, -V (dc common)	-V	-V
<b>Black</b>	Pin 4 (strobe)	+5 to 24V dc OFF	-V
		-V ON	

## Quick Disconnect Cables

Model	Length	Connection
<b>PKG3M-2</b>	2 m (6.5')	Female Pico-style (8 mm) connector at one end; flying leads at opposite end
<b>PKG3M-4</b>	4 m (13')	
<b>PKG3M-7</b>	7 m (23')	
<b>PKG3M-9</b>	9 m (30')	

## Mounting Brackets

<b>SMBP4OAL100</b>	<ul style="list-style-type: none"> <li>• For use with right-angle or in-line P4 sensors and 100 mm on-axis light</li> <li>• Centers lens on light opening</li> <li>• Black zinc-plated steel</li> <li>• (4) M5 and (4) ¼-20 socket drive, button-head screws included</li> </ul>	
<b>SMBP-POAL100</b>	<ul style="list-style-type: none"> <li>• For use with Pro sensors and 100 mm on-axis light</li> <li>• Centers lens on light opening</li> <li>• Black zinc-plated steel</li> <li>• (4) M5 and (4) ¼-20 socket drive, button-head screws included</li> </ul>	
<b>SMBP4OAL50</b>	<ul style="list-style-type: none"> <li>• For use with right-angle or in-line P4 sensors and 50 mm on-axis light</li> <li>• Centers lens on light opening</li> <li>• Black anodized aluminum and zinc-plated steel</li> <li>• (4) M3 flat head torx, (4) M5 and (4) ¼-20 socket drive, button-head screws included</li> </ul>	

<b>SMBP- POAL50</b>	<ul style="list-style-type: none"><li>• For use with Pro sensors and 50 mm on-axis light</li><li>• Centers lens on light opening</li><li>• Black zinc-plated steel</li><li>• (4) M5 and (4) ¼-20 socket drive, button-head screws included</li></ul>	
-------------------------	--	--

Refer to your current Banner Sensors catalog for more mounting bracket options. Bracket dimensions can be found at [www.bannerengineering.com](http://www.bannerengineering.com).