



## LED..A62X62W Series Area Lights

LED Area Lights for use with PresencePLUS<sup>®</sup> Pro sensors



White, Green, or Blue LED models

Red or Infrared LED models

### Features

- Low-cost, compact area lights for PresencePLUS Pro sensor. See Banner's Web site ([www.bannerengineering.com](http://www.bannerengineering.com)) for a complete lighting tutorial.
- Solid-state LED matrix; continuous or strobed operation is selectable via sensor software.
- Direct connection to PresencePLUS Pro or to an external power supply using 3 discrete wires.
- Two bracket options available.

### Models

Models	Color	Ambient Light Filter Kit	Polarizing Filter Kit
LEDIA62X62W	Infrared, 940 nm	FLTI (included with IR lights)	—
LEDRA62X62W	Visible Red, 630 nm	FLTR (included with LEDAPFKS)	LEDAPFKS
LEDWA62X62W	White, All Visible	FLTB or FLTG	
LEDBA62X62W	Blue, 464 to 475 nm	FLTB	
LEDGA62X62W	Green, 520 to 540 nm	FLTG	

### Specifications

Light Source	LED, see Models table above for wave lengths
Illumination	High-intensity area light
Supply Voltage and Current	<b>Infrared:</b> 24V dc @ 150 mA max. <b>All other colors:</b> 24V dc @ 200 mA max.
Connections	PVC-jacketed 3-conductor 2 m (6.5') attached cable
Construction	Low-carbon steel with black zinc plating, acrylic window
Useful Life	10,000 hours (LED ON time). When operated within specifications, output will decrease less than 30% after 10,000 hours and less than 50% (less than 40% for red and IR models) after 20,000 hours.
Operating Conditions	<b>Temperature:</b> 0° to +50° C (+32° to 122° F) <b>Relative humidity:</b> 90% at 50°C (non-condensing) max.
Cleaning Instructions	Regularly remove any dust, dirt, or fingerprints from the light source. 1. Blow off dust using anti-static compressed air. 2. If necessary, use a lens cloth and lens cleaner or window cleaner to wipe off remaining debris. Do not use any other chemicals for cleaning.

### Wiring Table

Area Light Wire	PresencePLUS Pro Controller Terminal Block	External Power Supply (Strobed)	External Power Supply (Continuous)
Brown	Pin 1 (+V*)	+V	+V
Blue	Pin 2 (-V*)	-V	-V
White	Pin 4 (strobe)	+5V dc    OFF -V            ON	-V

# LED..A62X62W Series Area Lights

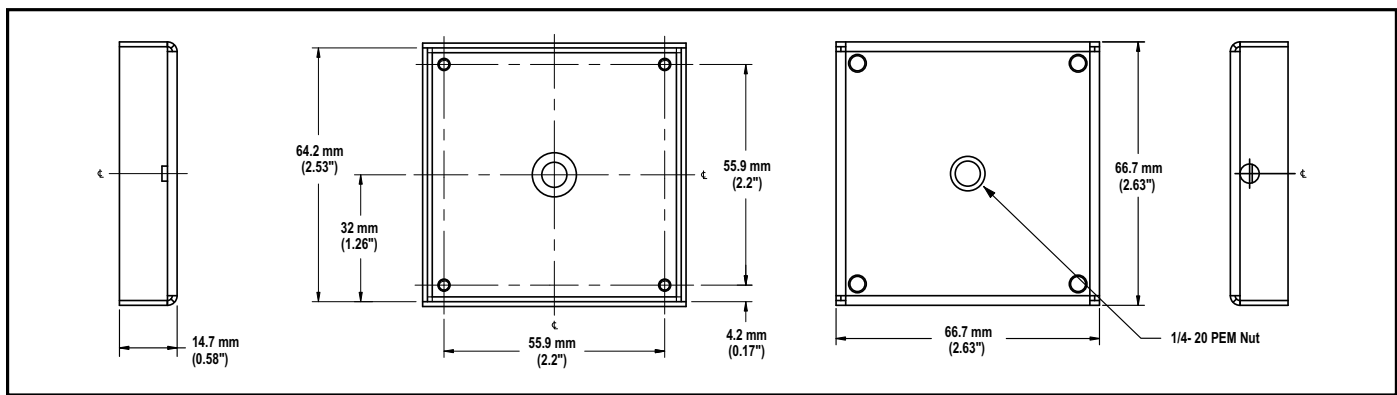


Figure 1. Area light dimensions

## Installing the Area Light

**NOTE:** Before installing this area light it is recommended that an ambient light filter be installed behind the lens. The filter improves image quality by reducing unwanted ambient light.

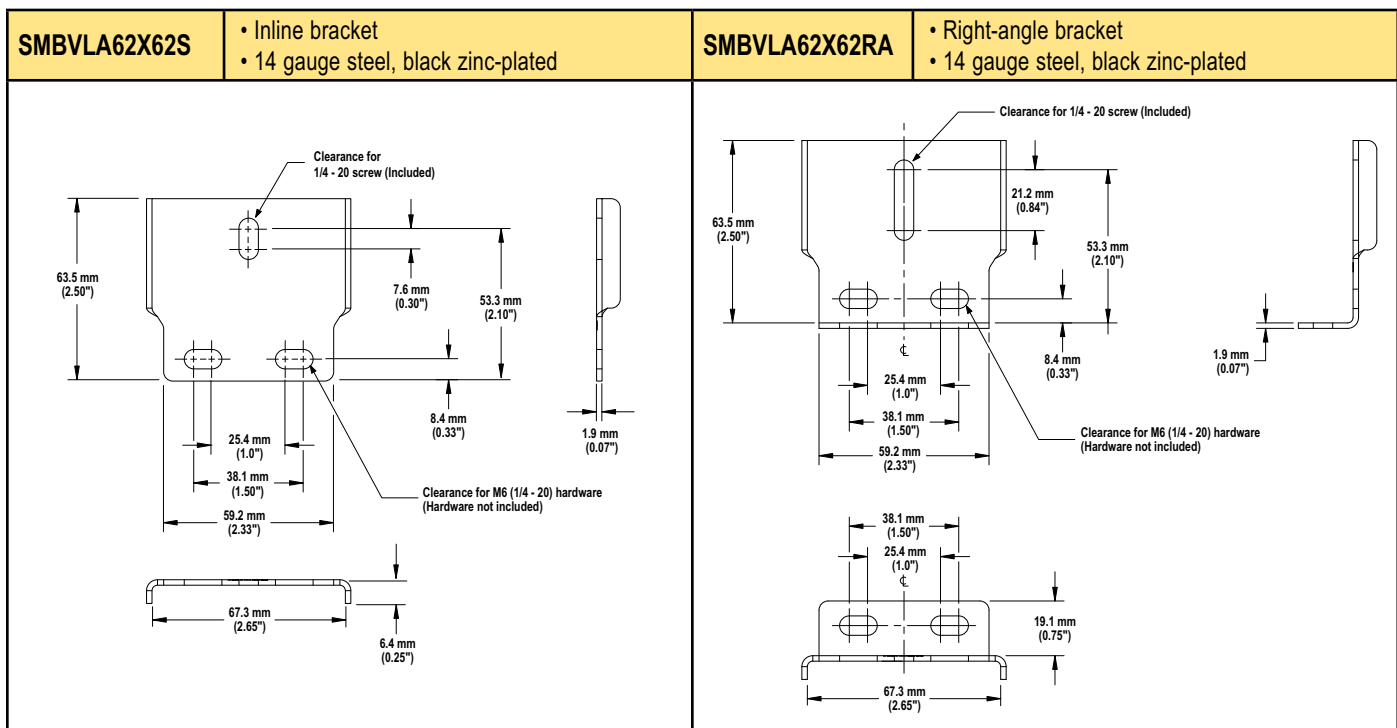
### Sensing Shiny Surfaces

To eliminate direct reflections without using polarizing filters, angle the sensor approximately 15° (or more) from perpendicular to a shiny surface.

### Polarizing Kit

If it is necessary to mount the camera at a 90° angle to a shiny surface, the polarizing filter kit provides filters for both the LED area light and sensor to reduce the negative effects of strong, direct light reflections. The red filter kit (FLTR) is included with the polarizing kit. When light colors other than red are used, discard the red filter in the polarizing kit and use the proper filter listed on page 1. The polarizing filters reduce the amount of light returned to the sensor.

## Mounting Brackets



**WARRANTY:** Banner Engineering Corp. warrants its products to be free from defects for one year. Banner Engineering Corp. will repair or replace, free of charge, any product of its manufacture found to be defective at the time it is returned to the factory during the warranty period. This warranty does not cover damage or liability for the improper application of Banner products. This warranty is in lieu of any other warranty either expressed or implied.