



## 14 Watt LED Module

### Light Source

- ✿ 5 High Power Light Emitting Diode (3 Watt LEDs)
- ✿ Colors: Cool White, Warm White, Blue, Cyan, Green, Amber and Red
- ✿ Consistent unit-to-unit color temperature



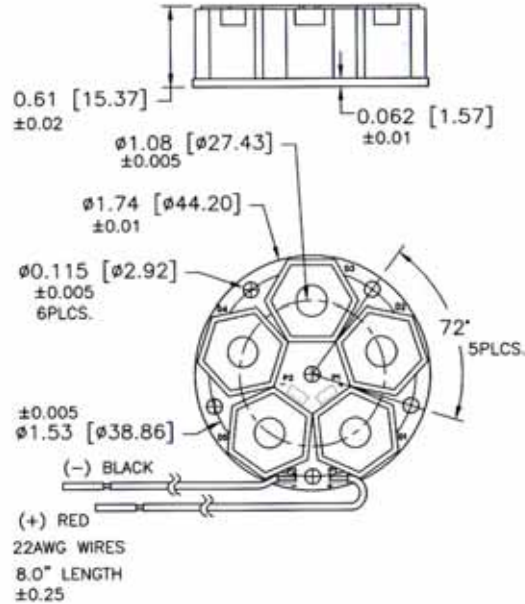
### ✿ Model-ILL3A20002

- ✿ 1.74" (44.2mm) round compact source
- ✿ May be driven up to 1000mA
- ✿ Operating life 50,000 hours
- ✿ High efficiency optics: 6 or 25 degree beam
- ✿ Metal Clad PCB Substrate
- ✿ 8" power leads
- ✿ For Spot Lighting, Flood Lighting, Landscape Lighting and Architectural Lighting

P/N ILL2001* *=Color and (6° or 25°) Optics	Color I	Color Temp - Dominant Wavelength	Typical Luminous Flux (Lumens)	Design Current (mA)	Power Consumption (Watts)
ILL3A0002(A or H)	Cool White	6000K +/- 250K	320	700	14
ILL3A0002(B or I)	Warm White	3300K +/- 250K	200	700	14
ILL3A0002(C or J)	Blue	470nm	95	700	14
ILL3A0002(D or K)	Cyan	505nm	260	700	14
ILL3A0002(E or L)	Green	530nm	260	700	14
ILL3A0002(F or M)	Amber	589nm	240	700	9.1
ILL3A0002(G or N)	Red	625nm	260	700	9.1



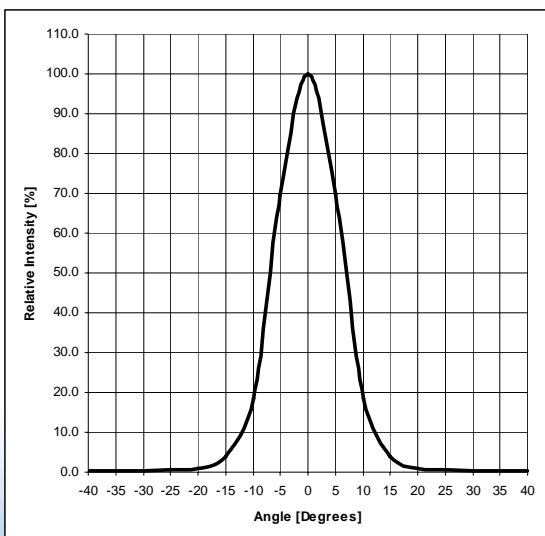
## Specifications



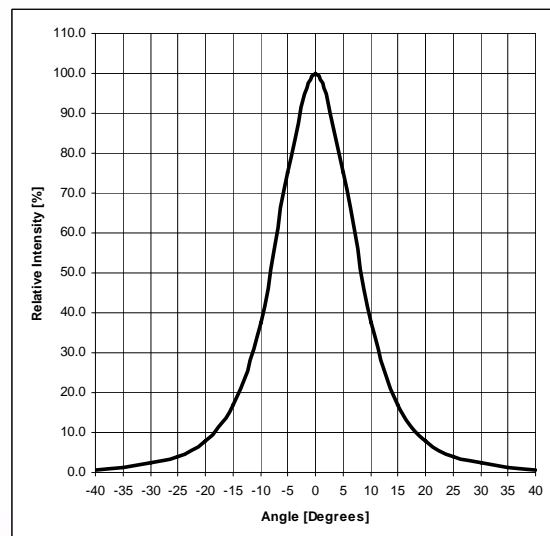
### Operating Specifications:

- Operating PCB temperature: 65 °C (Recommended)
- Maximum PCB temperature: 100 °C
- Thermal Resistance (Rthj-a): 23 °C/W
- Projected life: 50,000 hours (70% lumen maintenance at 65 °C)
- \* Additional heat sinking required, refer to CML technical support for thermal management guidelines

## Photometric Data



Radiation Pattern with 6° optic (CW)



Radiation Pattern with 25° optic (CW)