

Dialight

POWERWHITE

CIRCULAR LED MODULES

AR111/AR111-LV



APPLICATION

- ▲ Spot lighting
- ▲ Accent lighting
- ▲ General illumination
- ▲ Interior use only
- ▲ Architectural lighting
- ▲ Machine vision
- ▲ Display cases

Product designed to fit the majority of AR111 housings.
Depth of housing should be checked for compatibility.

ORDERING INFORMATION

AR111-LV-AA-BB	
Typical Colour (AA) Temperature <hr/> CW = 5000K – 6350K NW = 3800K – 4100K WW = 2850K – 3250K	Options <hr/> Blank = no onboard driver LV = with onboard driver
Optic (BB) <hr/> SP = 7 degree spot WD = 13 degree wide <i>All angles are half divergence</i>	

Dialight Europe Ltd

Exning Road • Newmarket • Suffolk, United Kingdom, CB8 0AX
Tel :+44 (0)1638 666541 • www.dialight.com

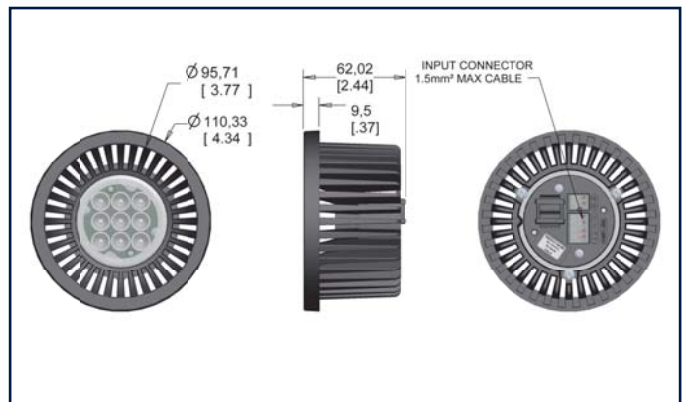
FEATURES / BENEFITS

- ▲ Utilizes 9 premium flux LUXEON® Rebel™ LEDs, 100+ lumens for cool white, 100+ lumens for neutral white and 50+ lumens for warm white
- ▲ ETL recognized to UL standards (pending)
- ▲ Available in choice of colours & colour temperatures
- ▲ Quick connect terminal blocks for easy installation
- ▲ >70% lumen maintenance @ 50,000 hours at max operating temperature. Better at lower operating temps!

MATERIALS / FINISH

- ▲ **Connection** - Cage Clamp Connectors
- ▲ **Optics** - Dialight-Lumidrives Optics
- ▲ **Lens Cover** - Polycarbonate 143R
- ▲ **Rear Cover** - Polycarbonate 143R
- ▲ **Heatsink** - ADC10 Aluminum Alloy, Black Anodised Finish

MECHANICAL DIMENSIONS



Diameter x H
110.33mm x 62.02mm (4.34" x 2.44")
Maximum Cable Dia - 1.5mm² / 16 AWG

Dialight Corporation

1501 Route 34 South • Farmingdale, NJ 07727 USA
Tel: (1) 732-919-3119 • Fax: (1) 732-751-5778 • www.dialight.com

MDEXLUMAR111_A



OPERATING CHARACTERISTICS

Model / Color	Typical Total Lumen Output		Power Consumption		Drive Current / Operating Current	Input Voltage
	350mA / LV	700mA	350mA / LV	700mA	mA	
AR111 / CW	900	1620	10.8W	21.6W	350 - 700	*30 -36VDC
AR111 / NW	900	1620				
AR111 / WW	450	855				
AR111-LV / CW	900	-	11.0W	-	**1.0A - 500mA	12-24VDC 11-16VAC
AR111-LV / NW	900	-				
AR111-LV / WW	450	-				

Note: Lumen output based on manufacturers data

*Based on max Vf of 4.0V

**1.2A for initial switch on

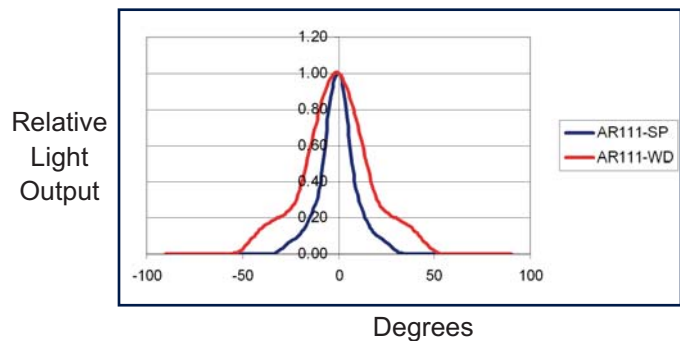
COMPATIBLE DRIVERS

Compatible Dialight Lumidrive Constant Current Drivers:-				Compatible Dialight Lumidrive Constant Voltage AC/DC Drivers:-			
Driver	350mA	700mA	NO. OF UNITS	Driver	12V	24V	NO. OF UNITS
MDU 9 (MDU9-SC-35-70)	✓	✗	1	MULTIDRIVER (MLD8-C-35-70)	✓	✗	1
MINIDIM 70 (MND70)	✓	✗	1	MVDU100-12-P	✓	N/A	1— 8
36W 700mA IP65 Driver (MCDU36-700-P)	✗	✓	1	MVDU100-24-P	N/A	✓	1— 5

OPERATING CONDITIONS

- ▲ Operating ambient temperature -20°C to +40°C
- ▲ AR111 requires constant current driver
AR111-LV requires constant voltage driver
(See compatibility list)
- ▲ Max drive current 700mA (constant current version)
- ▲ IP20 rating

PHOTOMETRIC DATA



Dialight Europe Ltd

Exning Road • Newmarket • Suffolk, United Kingdom, CB8 0AX

Tel :+44 (0)1638 666541 • www.dialight.com



Dialight Corporation

1501 Route 34 South • Farmingdale, NJ 07727 USA

Tel: (1) 732-919-3119 • Fax: (1) 732-751-5778 • www.dialight.com



Datasheet subject to change without notice.

Please visit www.dialight.com for updates.

MDEXLUMAR111_A