

9900-1201-371

White Power LED, High Output
Screw thread design
Lambertian radiation pattern



Typical Device Characteristics @ 350mA

| | |
|-------------------|-----------|
| Luminous Flux | 80 lumens |
| Color Temperature | 5500 K |
| Forward Voltage | 3.50 V |
| Viewing Angle | 110° |

Product Features

- Solder-Free mechanical attachment for easy installation and replacement
- Annular contact arrangement eliminates need for radial alignment
- Excellent thermal coupling to lighting system
- Large LED chip allows higher drive current
- Outstanding light output
- Wide viewing angle
- UV resistant cover lens
- RoHS Compliant

Device Characteristics

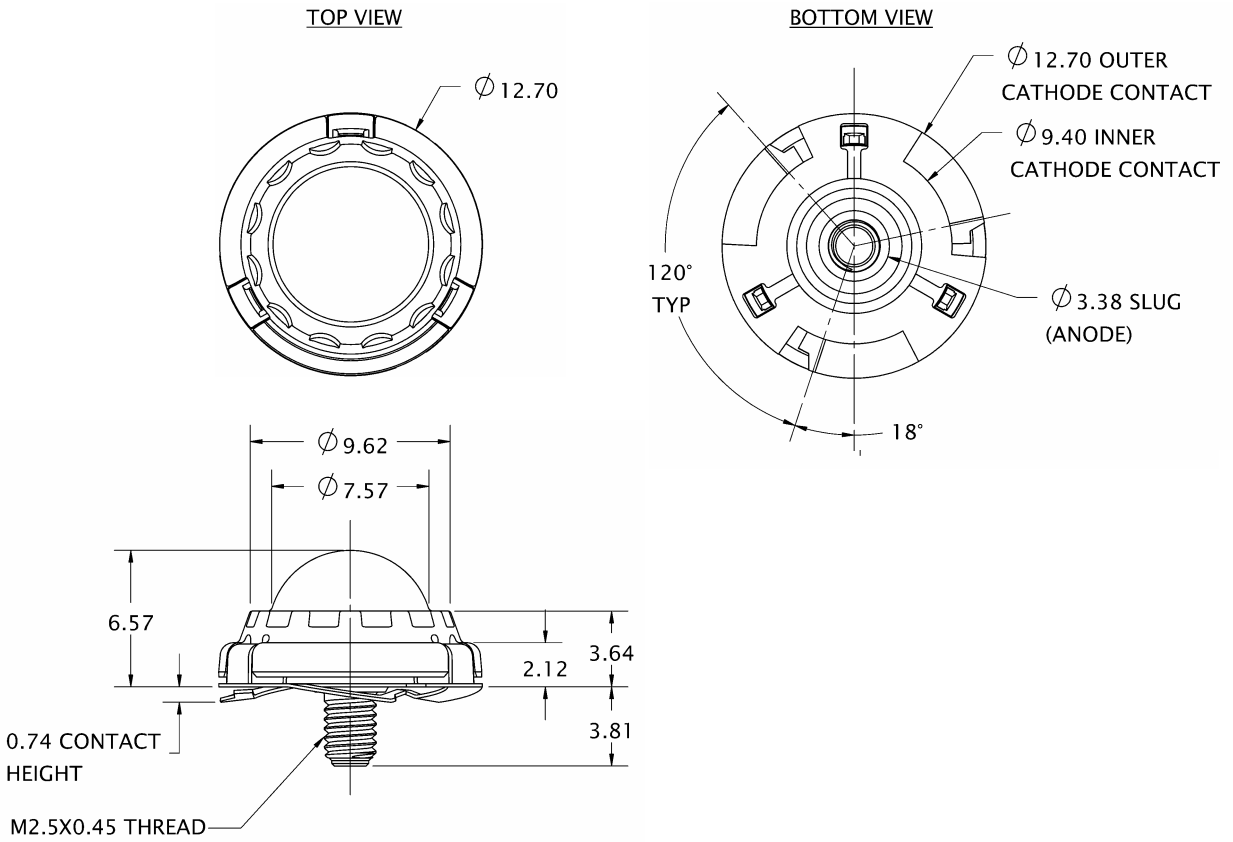
Forward Current = 350mA, Junction Temperature, $T_j = 25^\circ\text{C}$

| | Minimum | Typical | Maximum |
|---|---------|----------------|---------|
| Luminous Flux (ϕ_v) | | 80 lm | |
| Correlated Color Temperature (CCT) | 4500 K | 5500 K | 10000 K |
| Color Coordinates (CIE 1931) | | x=0.33, y=0.33 | |
| Color Rendering Index (CRI) | | 70 | |
| Viewing Angle ($2\theta_{1/2}$) | | 110° | |
| Forward Voltage (V_f) | 3.00 V | 3.50 V | 4.10 V |
| Dynamic Resistance (R_D) | | 1.3 Ω | |
| Thermal Resistance ($R_{\theta J-c}$) | | 10°C/W | |

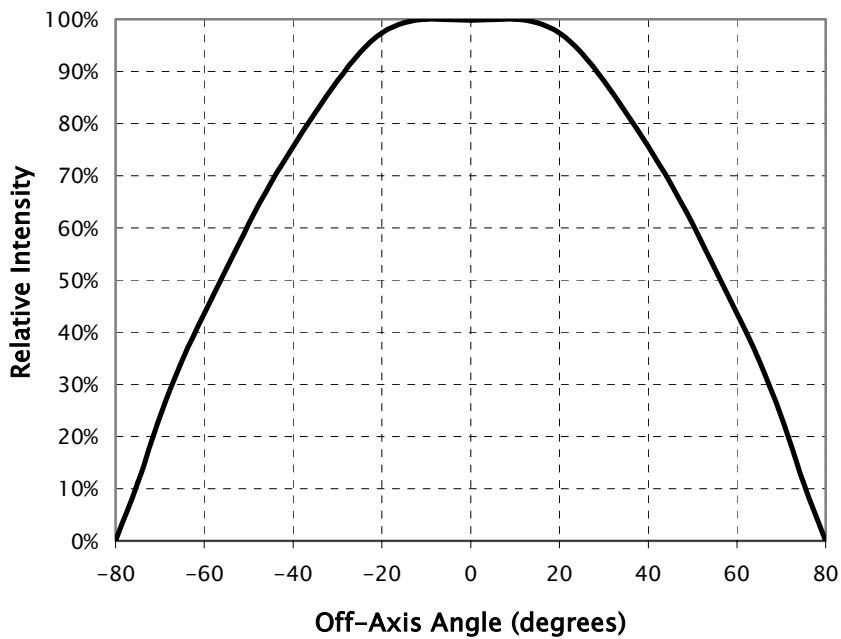
Absolute Maximum Ratings

| | |
|-----------------------------|-----------------|
| DC Forward Current | 350 mA |
| Peak Pulsed Forward Current | 500 mA |
| Maximum Pulse Duty Cycle | 50% |
| Maximum Pulse Duration | 10 ms |
| Reverse Voltage | > 5 V |
| LED Junction Temperature | 125°C |
| Operating Temperature Range | -40°C to +85°C |
| Storage Temperature Range | -40°C to +100°C |

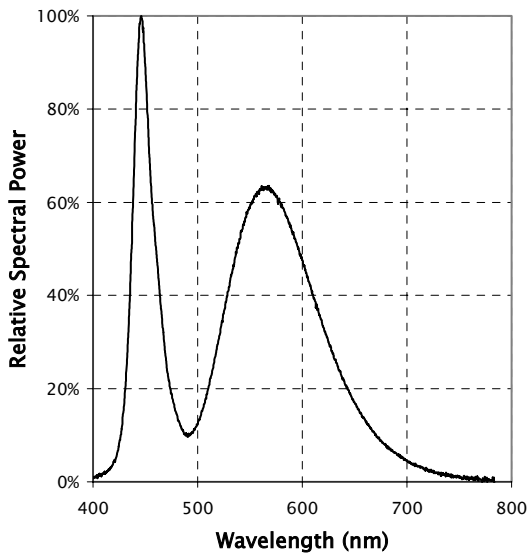
Mechanical Dimensions



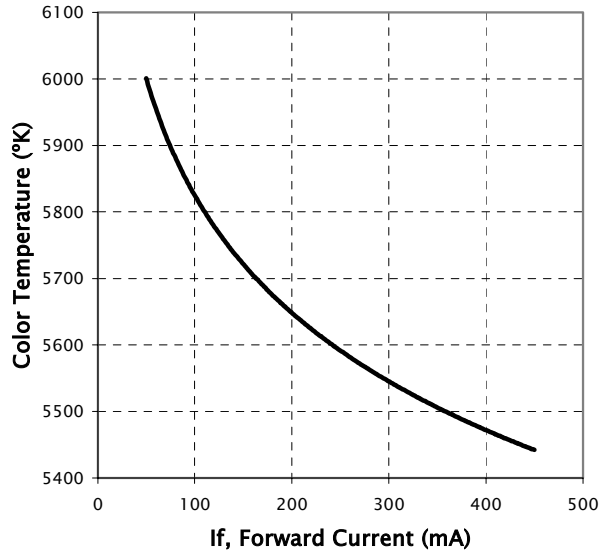
Spatial Distribution Pattern



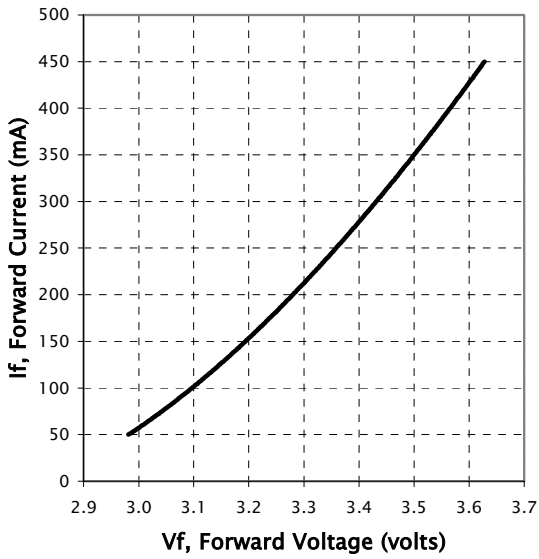
Spectral Power Distribution



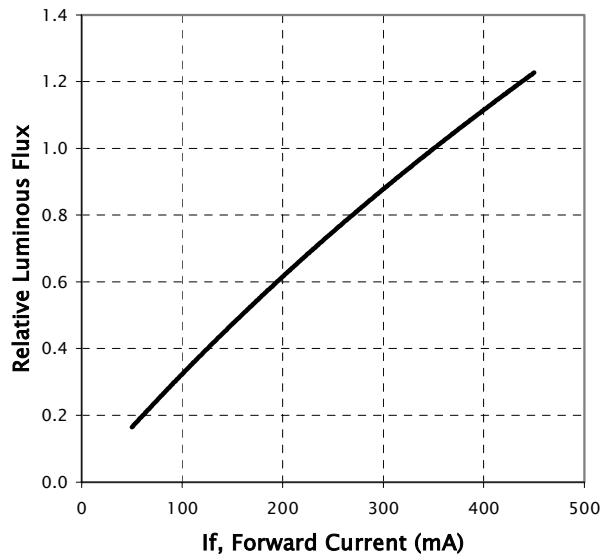
Color Temperature vs. Forward Current



Forward Voltage vs. Forward Current



Luminous Flux vs. Forward Current



A product of Weldon Technologies • 3656 Paragon Drive • Columbus, Ohio 43228 USA
 800.989.2718 • 614.529.7230 • FAX 614.527.3547 • <http://www.v-led.com>
 Weldon Technologies reserves the right to make changes at any time to product specifications without notice.