

LED-100W 8V/12V/24V/48V DC

SPECIFICATIONS

Standards

Converter meets CE standards
 Approval by UL as recognized component
 File # E164062
 VDE and VDE EMV pending
 IP67

Available Versions

- 901100008P-LED 100 DC 8V (European version)
- 901100008PU-LED 100 DC 8V (USA version)
- 901100012P-LED 100 DC 12V (European version)
- 901100012PU-LED 100 DC 12V (USA version)
- 901100024P-LED 100 DC 24V (European version)
- 901100024PU-LED 100 DC 24V (USA version)
- 901100048P-LED 100 DC 48V (European version)
- 901100048PU-LED 100 DC 48V (USA version)

Mechanical and Thermal

European version
 Dimensions(mm) 230 x 65 x 42
 Weight 800 grams
 Tc Max 90°C
 Ta Max 50°C
 Output wire – FEP 1.5mm² 300/300V 180°C 2 sections
 Input wire – FEP 0.75mm² 300/300V 180°C 2 sections

USA version
 Dimensions (in) 9.06 x 2.56 x 1.65
 Weight 28.2 ounces
 Tc Max 90°C
 Output wire – FEP 16AWG 300V 180°C 2 sections
 Input wire – FEP 18AWG 300V 180°C 3 sections
 Grounding wire

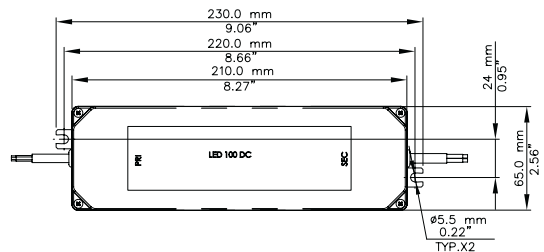
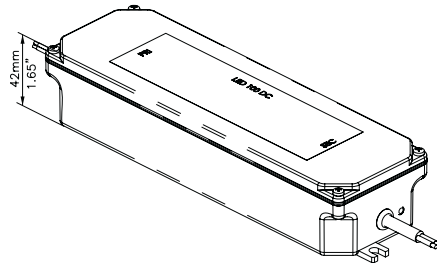


Electrical

Load 1-100VA
 Input Euro. Version 120-240V 50/60Hz
 Input USA Version 100-277V 50/60Hz
 Output voltage 8V/12V/24V/48V DC ±10%
 Efficiency 8V ≥79%
 Efficiency 12V ≥81%
 Efficiency 24V ≥83%
 Efficiency 48V ≥83%
 EMC (RFI) FCC Class A/EN 55015
 Harmonics EN 61000-3-2
 Electrostatic Discharge IEC61000-4-2
 EMC Immunity IEC61000-4-3
 Burst IEC61000-4-4
 Surge IEC61000-4-5
 Injected RF IEC61000-4-6
 Mains interruption IEC61000-4-11
 Immunity EN 61547/61047
 Safety EN 61347-2-2
 SELV

Protection and Regulation

Electronic internal resettable short circuit protection. Thermal protection and overload regulation.

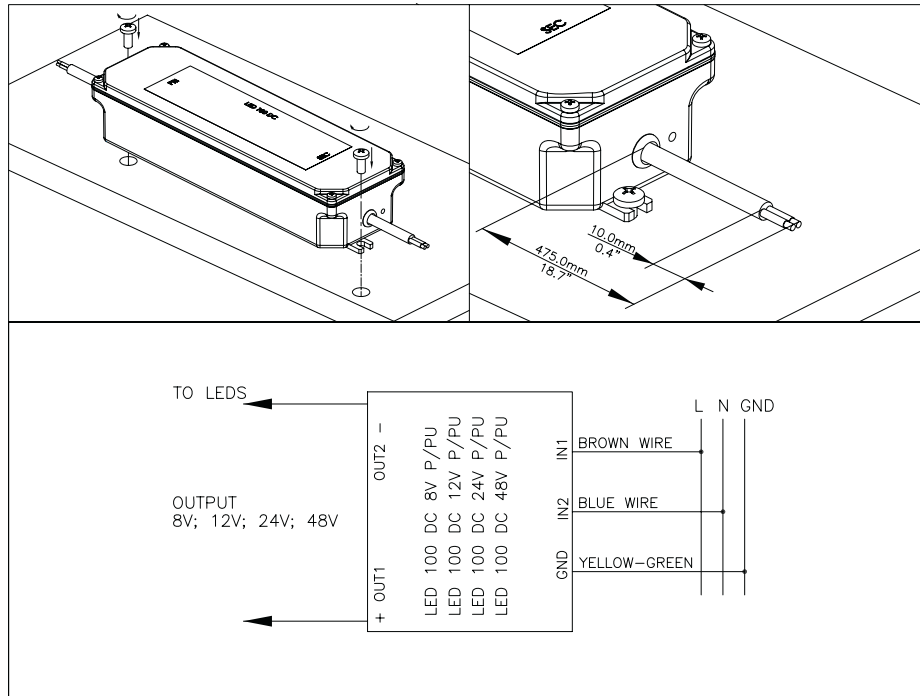


See reverse side for more information →



LED-100W 8V/12V/24V/48V DC

Mounting Instructions



Safety Instructions:

1. Always disconnect power before installation and/or removal of the unit.
2. Install in accordance with national and local electrical codes.
3. Wires: Input – 0.75mm² or 18AWG.
Output – 1.5mm² or 16AWG.