

# LED 36W DC 700mA 240V Dimming Loop

## Description:

- Constant current LED driver
- 1-10V Dimming control

## Applications:

- Outdoor lighting
- Architectural lighting
- Spots

## Features:

- Can drive up to 12pcs of 3W LEDs.
- Power losses up to 40% of total power saved by constant current operation mode.

## Standards

Converter meets CE standards  
Pending VDE and VDE EMV

## Available Version

901036700PE240TPDL-LED 36W  
700mA, Dimming Loop

## Mechanical and Thermal

Dimensions (mm) 30.5 x 40 x 133  
Weight 300 grams, 10.58 ounces  
Tc Max 90°C  
Ta Max 50°C  
Aluminium casing  
Output wire 0.75mm<sup>2</sup>/18 AWG Teflon  
Input wire 0.75mm<sup>2</sup>/18 AWG 300V  
180°C/200°C



## Electrical

### Input:

Voltage 240VAC  
Current 0.2A (240VAC)  
Frequency 0/50Hz  
Efficiency 82% at max load

### Output:

Load 4-12 3W LEDs (0.7A) connected serially  
Voltage 48V max load, 58V no load  
Power Factor 0.9 minimum at max load  
Output Current no Dimming: 0.65 – 0.75A DC  
Output Current with 1-10V Dimming: 0.05-0.75A DC

### Dimming control:

Input Voltage 1-10VDC  
Input Current max 2mA / 10V DIM

It is possible to use logarithmic potentiometer 100Kohm instead of standard dimmer 1-10V.

Mode PWM control of the output current

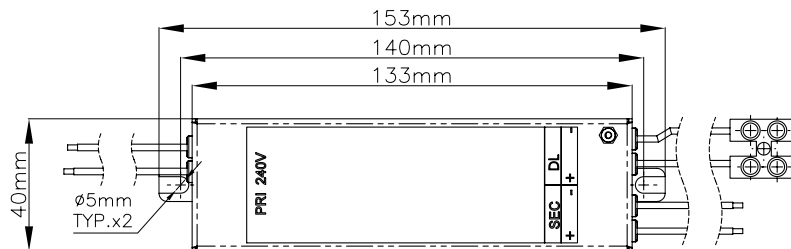
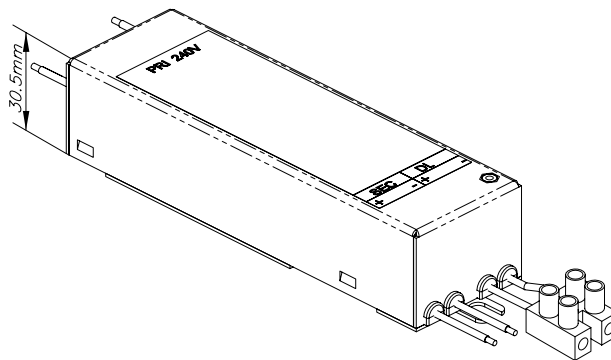
EMC (RFI)	FCC Class A/EN 55015
Harmonics	EN 61000-3-2
Electrostatic Discharge	IEC61000-4-2
EMC Immunity	IEC61000-4-3
Burst	IEC61000-4-4
Surge	IEC61000-4-5
Injected RF	IEC61000-4-6
Mains interruption	IEC61000-4-11
Immunity	EN 61547/61047
Safety	EN 61347-2-2
	EN 62384

SELV

## Protection and Regulation

Electronic internal resettable short circuit protection and overload regulation.

Electronic Thermal Protection.

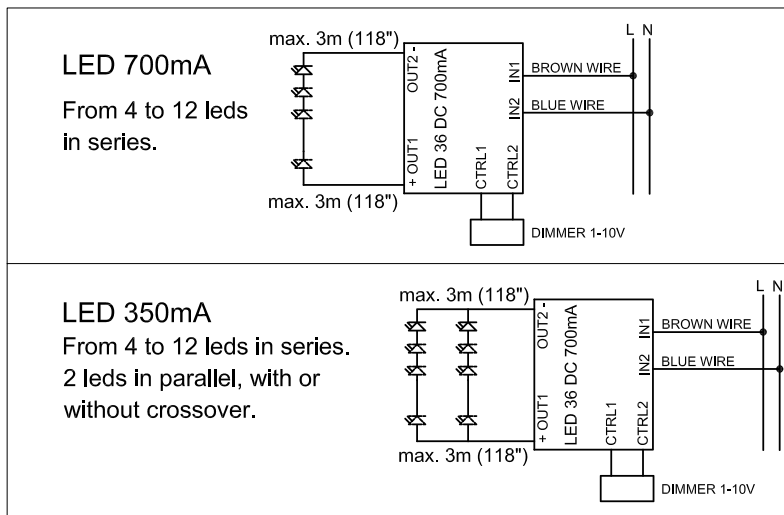
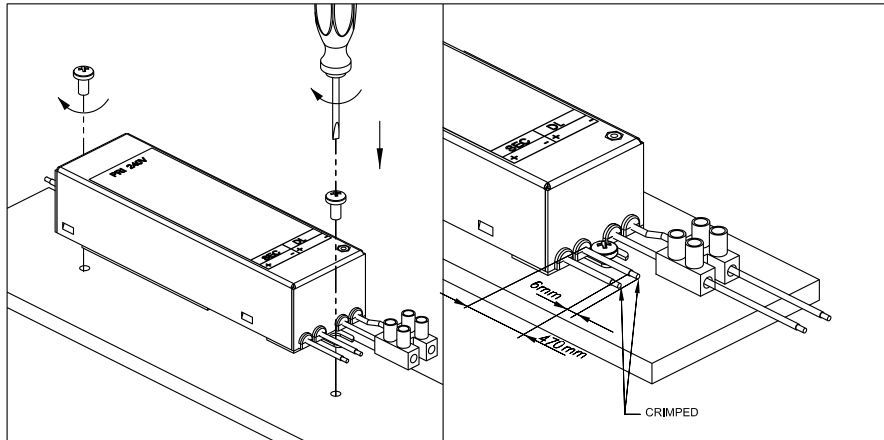


See reverse side for more information →



# LED 36W DC 700mA 240V Dimming Loop

## Mounting Instructions



## Safety Instructions:

1. Always disconnect power before installation and/or removal of the unit.
2. Install in accordance with national and local electrical codes.
3. Wires: Input and output wires 0.75mm<sup>2</sup>.