

# LED-18W DC 700mA P New Version

SPECIFICATIONS

### Standards

Converter meets CE standard  
Pending UL and C-UL  
Pending VDE and VDE EMV

### Available Versions

901018700NP-LED 18W DC 700mA P  
(European Version)  
901018700NPU-LED 18W DC 700mA PU  
(USA Version)

### Mechanical and Thermal

Dimensions (mm) 30.5 x 40 x 133  
Dimensions (in.) 1.2 x 1.57 x 5.24  
Weight 300 grams, 10.58 ounces  
Tc Max 90°C  
Ta Max 50°C  
Aluminium casing  
Output wire 0.75mm<sup>2</sup>/18 AWG Teflon  
Input wire 0.75mm<sup>2</sup>/18 AWG 300V  
180°C/200°C

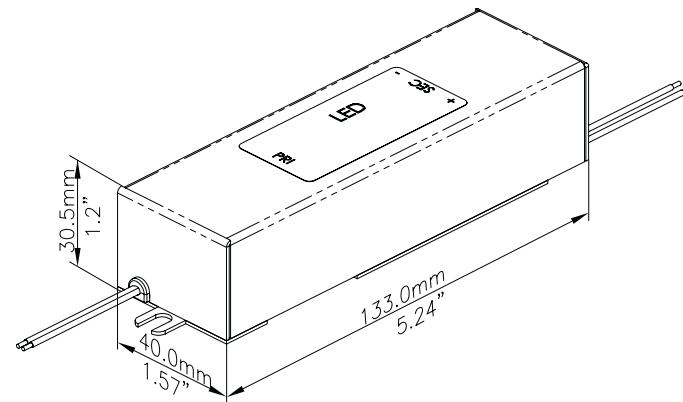


### Electrical

Load	2-18VA
Input	100-265V 0/50/60Hz
Output current	650-750mA
Output voltage	3-30V
Efficiency	75%
EMC (RFI)	FCC Class A/EN 55015
Harmonics	EN 61000-3-2
Electrostatic Discharge	IEC61000-4-2
EMC Immunity	IEC61000-4-3
Burst	IEC61000-4-4
Surge	IEC61000-4-5
Injected RF	IEC61000-4-6
Mains interruption	IEC61000-4-11
Immunity	EN 61547/61047
Safety	EN 61347-2-2
SELV	

### Protection and Regulation

Electronic internal resettable short circuit protection and overload regulation.



See reverse side for more information →

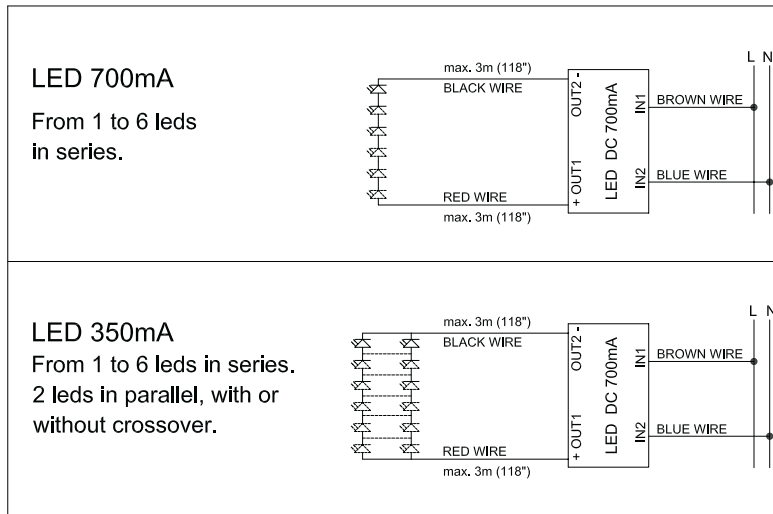
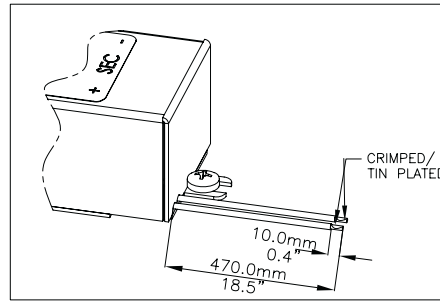
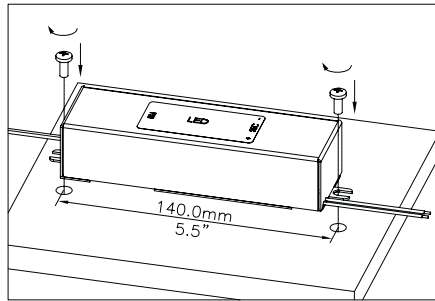


WWW.LIGHTECHINC.COM

www.lightechinc.com

# LED-18W DC 700mA P New Version

## Mounting Instructions



## Safety Instructions:

1. Always disconnect power before installation and/or removal of the unit.
2. Install in accordance with national and local electrical codes.
3. Wires: Input and output wires 0.75mm<sup>2</sup> or 18 AWG.