



LED-18-350-240V

Dimming Loop

SPECIFICATION

Description

Constant current LED Driver
1-10v Dimming Control

Applications

Outdoor lighting
Architectural Lighting
Spots

Feature Highlights

Drives up to 12x 1w LEDs
Power losses up to 40% of total power saved by constant current operation mode

Available Versions

901018351P240DL-LED 18W
350mA, Dimming Loop

Standards

Converter meets CE standards
Pending VDE and VDE EMC

Mechanical and Thermal

Dimensions (mm) 30.5x40x133
Weight 300 grams, 10.58 ounces
Ta Max 50°C
Aluminum Casing
Output wire 0.75mm²/18AWG Teflon
Input wire 0.75mm²/18AWG 300V
180°C/200°C



Electrical

Input

Voltage: 240VAC
Current 0.1A (240VAC)
Frequency 0/50Hz
Efficiency 85% at max load

Output

4-12 1w LEDs (0.35A) connected serially
Voltage 48V max load
Power factor 0.9 minimum at max load
Output current, no dimming:
0.315-0.385A DC
Output current, 1-10v dimming:
0.05-0.385A DC

Dimming Control

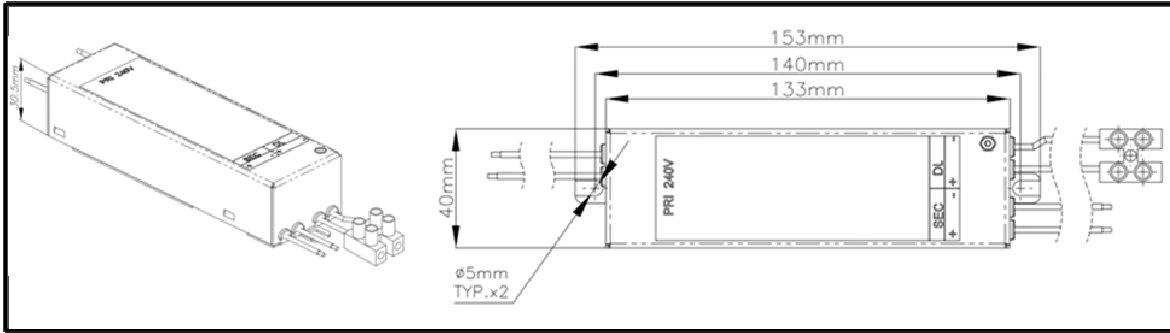
Input voltage 1-10VDC
Input current max 2mA / 10V DIM
It is possible to use logarithmic potentiometer 100 Kohm instead of standard dimmer 1-10V.
Mode PWM control of the output current

EMC (RFI)	FCC Class A/EN 55015
Harmonics	EN61000-3-2
Electrostatic Discharge	IEC61000-4-2
EMC Immunity	IEC61000-4-3
Burst	IEC61000-4-4
Surge	IEC61000-4-5
Injected RF	IEC61000-4-6
Mains Interruption	IEC61000-4-11
Immunity	EN61547/61047
Safety	EN61347-2-13 EN62384

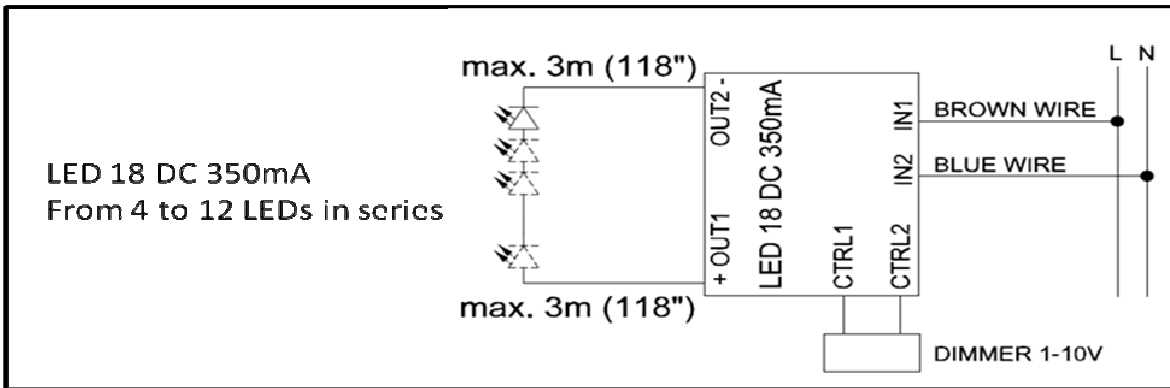
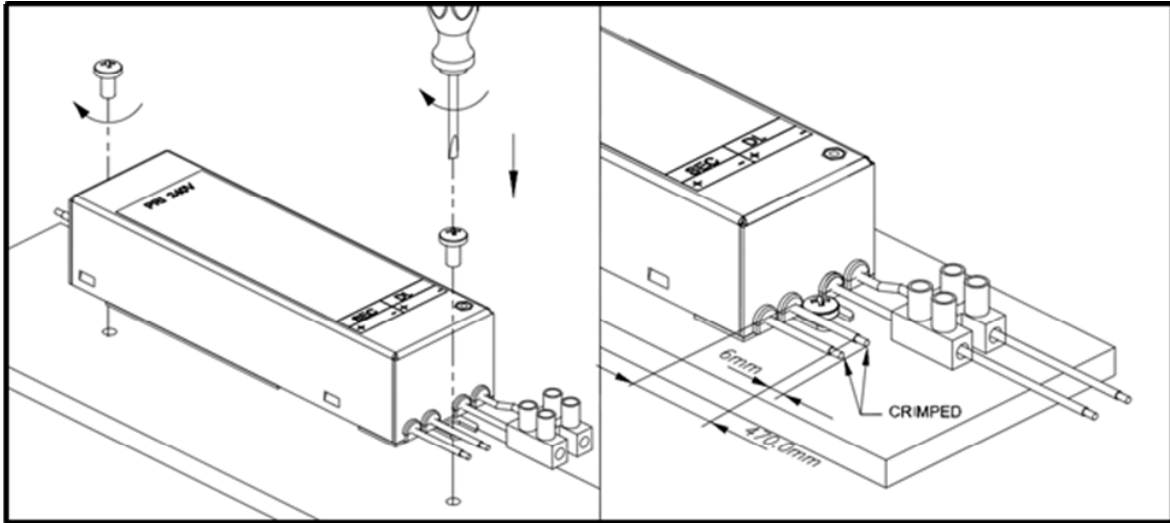
SELV

Protection and Regulation

Electronic internal resettable short circuit protection and overload regulation.
Electronic thermal protection.



Mounting Instructions



Safety Instructions

1. Always disconnect power before installation and / or removal of unit.
2. Install in accordance with national and local electrical codes.
3. Wires: Input and output wires 0.75mm²

Lightech Electronics Europe, Ltd.

Tel +44 (208) 202-3357

Fax +44 (208) 681-3989

Europe@lightechinc.com