

LED-4W/350mA

SPECIFICATIONS

Standards

Converter meets CE standards
 Approved by UL as a class 2 recognized component
 File # E193999
 VDE and VDE EMV approval
 IP67

Available Versions

901004350-LED 4W DC 350mA
 (European version)
 901004350U-LED 4W DC 350mA
 (USA version)

Mechanical and Thermal

European version
 Dimensions(mm) 45 x 45 x 25
 Weight 92.8 grams
 Tc Max 70°C
 Ta Max 50°C
 Output wire – 18AWG 200°C
 Input wire – Blue, Brown FEP/FEP
 0.75mm² 300/500V 180°C

USA version
 Dimensions (in) 1.77 x 1.77 x 0.98
 Weight 3.2 ounces
 Tc Max 90°C
 Ta Max 50°C
 Output wire – 18AWG 200°C
 Input wire – Blue, Brown UL type 1332
 or similar 18 AWG 300V 200°C

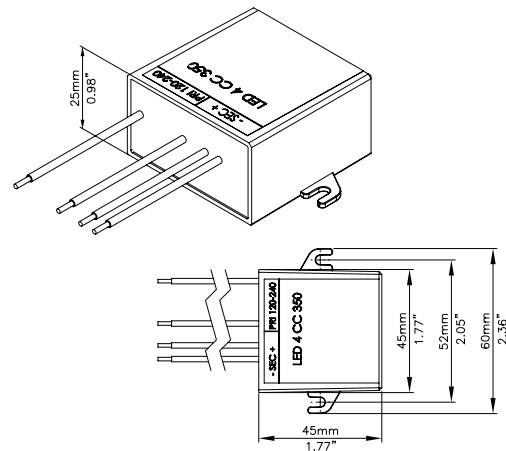


Electrical

Load	1-4VA
Input	100-240V 0/50/60Hz
Output current	350mA±8%
Output voltage	2-14V
EMC (RFI)	FCC Class A/EN 55015
Harmonics	EN 61000-3-2
Electrostatic Discharge	IEC61000-4-2
EMC Immunity	IEC61000-4-3
Burst	IEC61000-4-4
Surge	IEC61000-4-5
Injected RF	IEC61000-4-6
Mains interruption	IEC61000-4-11
Immunity	EN 61547/61047
Safety	EN 61347-2-2
SELV	

Protection and Regulation

Electronic internal resettable short circuit protection. Thermal protection and overload regulation.



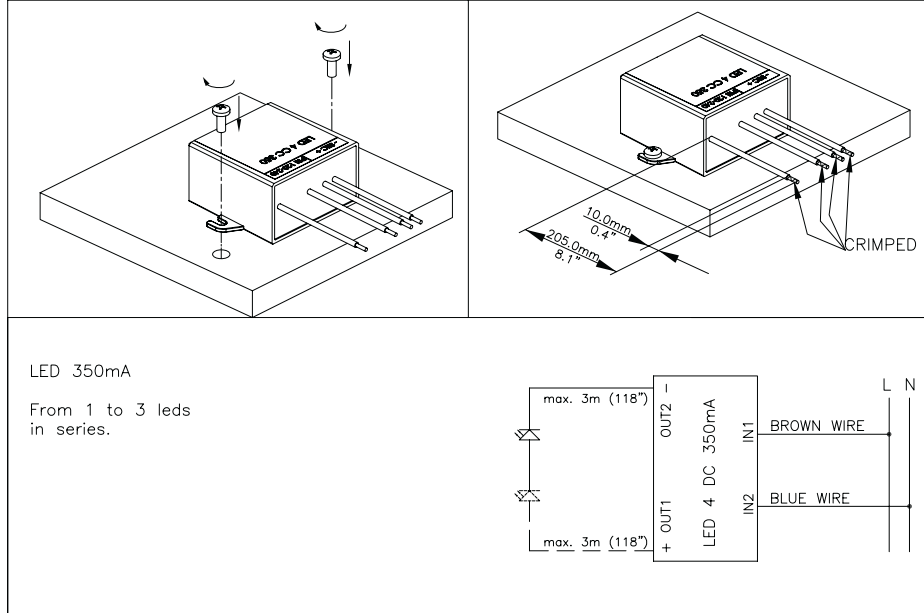
See reverse side for more information →



WWW.LIGHTTECHINC.COM

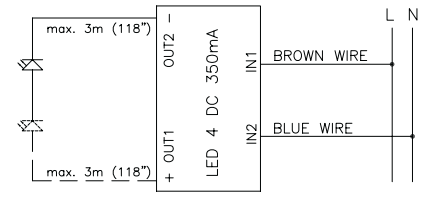
LED-4W/350mA

Mounting Instructions



The top-left diagram shows the module being mounted onto a PCB with a screw. The top-right diagram shows the module with crimped wires and dimensions: a height of 10.0mm (0.4") and a width of 205.0mm (8.1").

LED 350mA
From 1 to 3 leds
in series.



The circuit diagram shows a power source with terminals L (Line) and N (Neutral). The input wires are labeled IN1 (BROWN WIRE) and IN2 (BLUE WIRE). The module is labeled "LED 4 DC 350mA". The output terminals are labeled + OUT1 and - OUT2. The maximum length for the output wires is specified as "max. 3m (118")".

Safety Instructions:

1. Always disconnect power before installation and/or removal of the unit.
2. Install in accordance with national and local electrical codes.
3. Wires: Input and output wires 0.75mm² or 18AWG.