

LED-2W/500mA

SPECIFICATIONS

Standards

Converter meets CE standards
 Pending approval by UL as a class 2
 recognized component
 File # E193999
 VDE and VDE EMV pending
 IP67

Available Versions

901002500-LED 2W DC 500mA
 (European version)
 901002500U-LED 2W DC 500mA
 (USA version)

Mechanical and Thermal

European version
 Dimensions(mm) 32 x 34 x 25
 Weight 50 grams
 Tc Max 90°C
 Ta Max 50°C
 Output wire – Red, Black single
 insulated 0.75mm² 300/500V 180°C
 DIN VDE 0250
 Input wire – Blue, Brown double
 insulated 0.75mm² 300/500V 180°C
 DIN VDE 0250

USA version
 Dimensions (in) 1.26 x 1.34 x 0.98
 Weight 1.76 ounces
 Tc Max 90°C
 Ta Max 50°C
 Output wire – Red, Black single
 insulated 18 AWG 300V 200°C UL 1332
 Input wire – Blue, Brown single
 insulated 18AWG 300V 200°C UL 1332

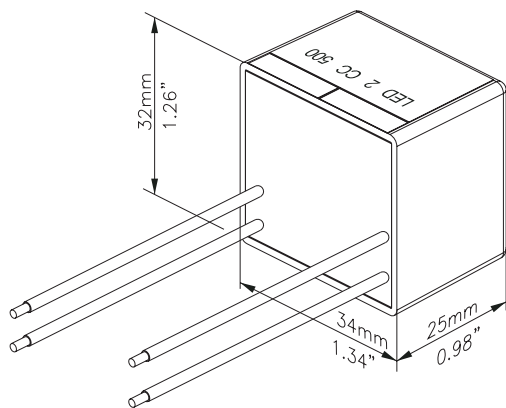


Electrical

Load 1-2VA
 Input Voltage 120-240V 0/50/60Hz
 Maximum input current 0.055A@120V
 0.04A@240V
 Output current 500mA±50mA
 Output voltage 2-7V
 EMC (RFI) FCC Class A/EN 55015
 Harmonics EN 61000-3-2
 Electrostatic Discharge IEC61000-4-2
 EMC Immunity IEC61000-4-3
 Burst IEC61000-4-4
 Surge IEC61000-4-5
 Injected RF IEC61000-4-6
 Mains interruption IEC61000-4-11
 Immunity EN 61547/61047
 Safety EN 61347-2-2
 SELV

Protection and Regulation

Electronic internal resettable short
 circuit protection. Thermal protection
 and overload regulation.

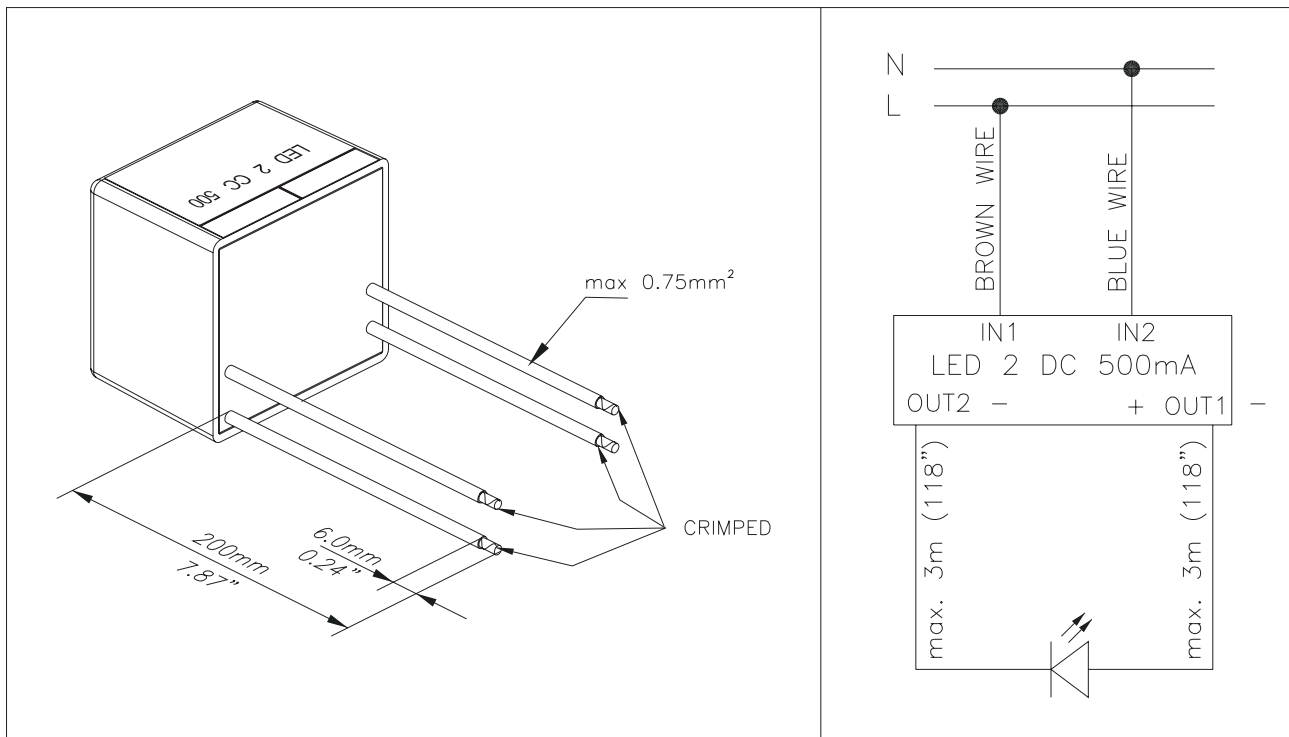
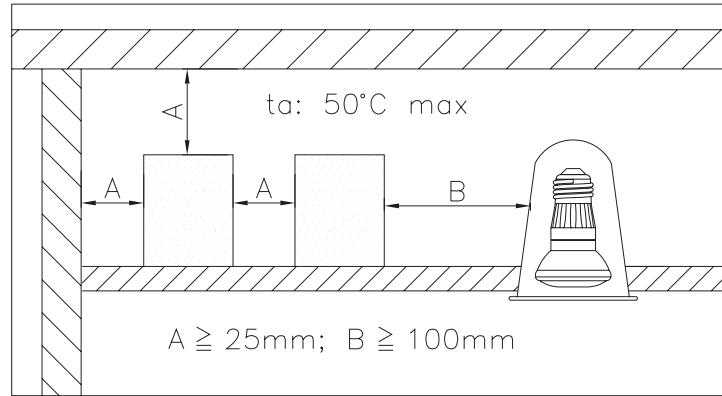


See reverse side for more information →



LED-2W/500mA

Mounting Instructions



Safety Instructions:

1. Always disconnect power before installation and/or removal of the unit.
2. Install in accordance with national and local electrical codes.
3. Wires: Input and output wires 0.75mm^2 .