

18W NIGHTSENSOR BULKHEAD

Cat No. EC018P

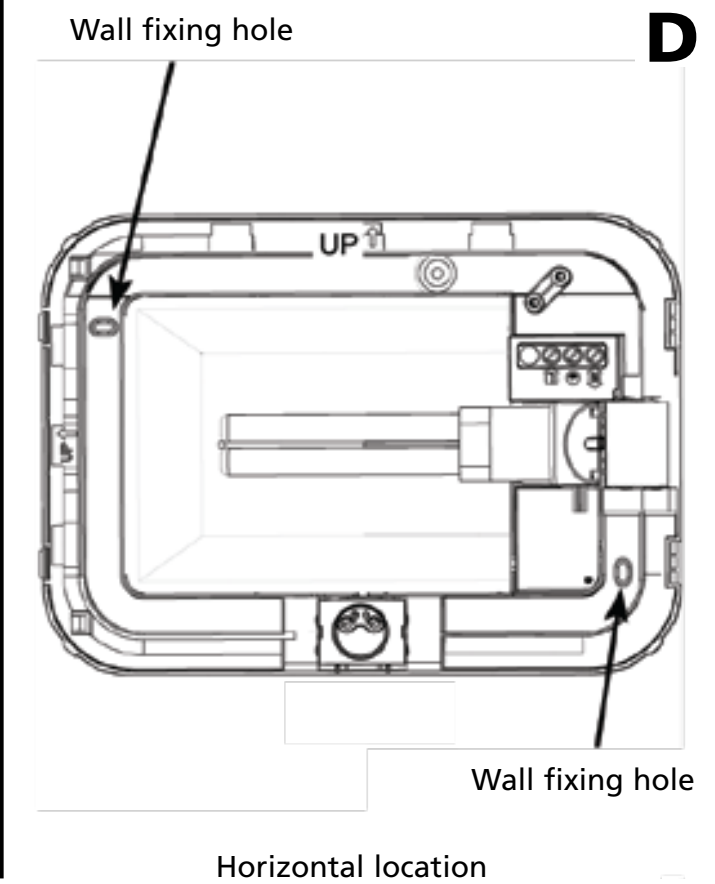
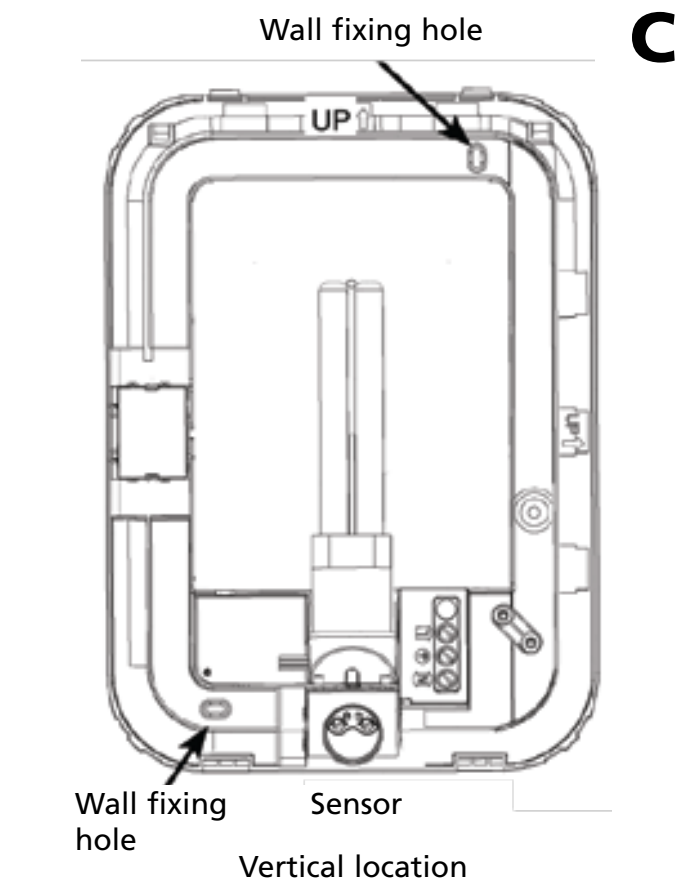
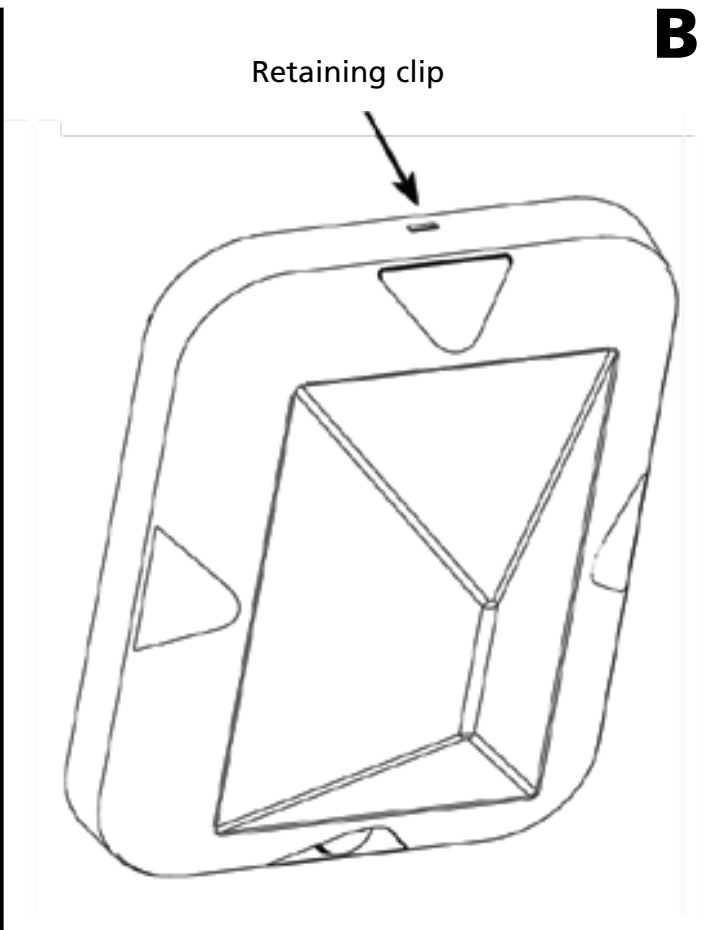
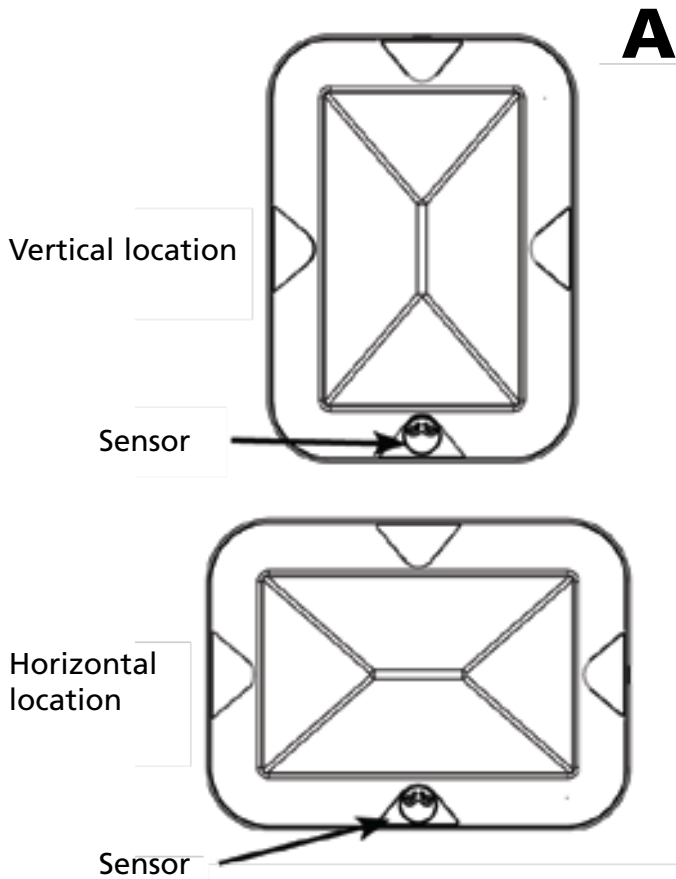


Instructions

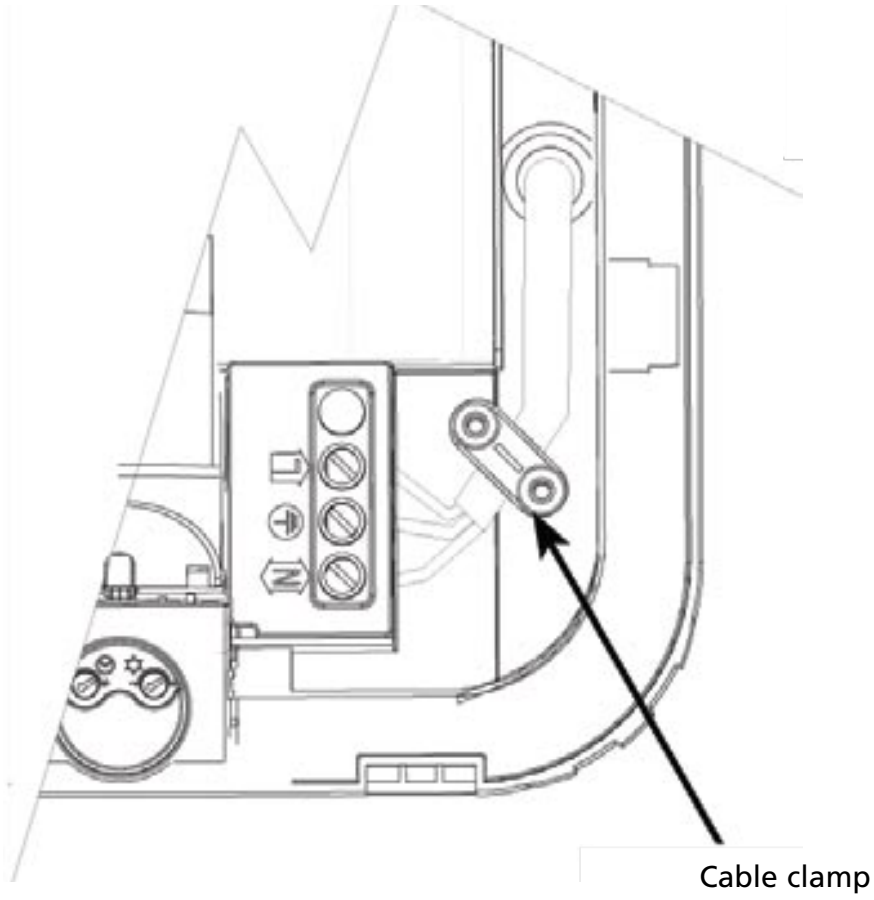


INSTRUCTIONS

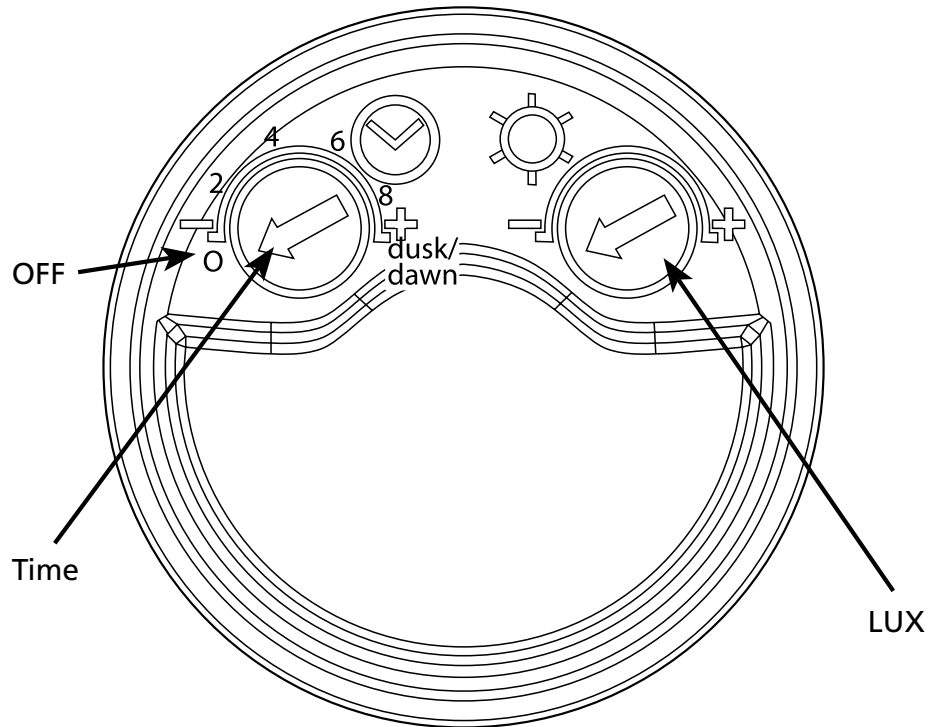
Prote



E



F



SECTION ONE

GENERAL INFORMATION

This bulkhead features an integral daylight sensing photocell which will automatically switch the light on at dusk and off at dawn or at a time set by the user.

Unit is for indoor or outdoor use. Unit must be mounted as a fixed luminaire, and is not suitable for portable use.

PARTS INCLUDED

- Low Energy Bulkhead c/w Dusk/Dawn sensor
- Instruction manual. Please keep safe for future reference.
- Accessory Pack including screws and wall plugs
- 18W PL-C 4 pin low energy lamp.
- Movable Dusk/Dawn Sensor module. (see image 1 below)
- Movable sensor aperture cover (see image 2 below)
- Movable Internal sensor circuit board cover (see image 3 below).

TOOLS & PARTS NEEDED

- 3 flexible core cable (1.0mm² or 1.5mm²)
- Electric/hand-held drill & bits
- Terminal or Electricians screwdriver
- Wire cutters

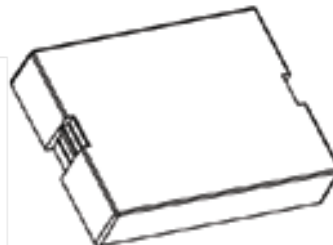
Do not attempt to install during wet weather, if you are suffering from nausea or dizzy spells or on medication with similar side effects.



1 Dusk/Dawn Sensor Module



2 Sensor aperture cover



3 Internal circuit board cover

SECTION TWO

INSTALLATION

***** IMPORTANT *****

Switch off the electricity at the fuse box by removing the relevant fuse or switching off the circuit breaker before proceeding with the installation.

SELECTING THE LOCATION

The unit can be mounted horizontally or vertically on the wall or over a door see diagram A. The unit features a movable sensor module (1) which can be placed in either horizontal or vertical orientation.

Also a sensor aperture cover (2) is provided to be fitted in the unused aperture based on your chosen application.

After choosing a suitable location (see previous section) install the unit as follows:

The unit is suitable for connection to a 240 V ac 50Hz electricity supply. It is suggested that 3-core round flexible cable of 1mm² or 1.5mm² gauge is used. An internal switch should be installed to switch the power to the unit ON & OFF. This allows the unit to be easily switched off when not required or for maintenance purposes.

It is recommended that the circuit is protected by a 5A max fuse or circuit breaker.

It is recommended that this product is connected to fixed wiring only.

To assemble the unit, decide on the orientation of your typical application. See diagram A

Open the front cover by inserting a small screwdriver into the slot at the top of the unit. A clip will be released and the cover can be removed from the base.

VERTICAL MOUNTING (Diagram C).

Position the unit in the desired position based on the location of the incoming power cable.

Using the unit as a template, mark the position of the mounting holes.

Ensure the sensor module and circuit board cover are fitted in the locations shown.

FAILURE TO FIT THE SENSOR COVER CAN COMPROMISE SAFETY LEGISLATION.

Note the "UP" ident on the inside of the wall plate.(Diagram C).

Drill the holes, insert the wall plate into the holes.

PIERCE AND PASS THE CABLE THROUGH THE GROMMET BEFORE SECURING THE UNIT TO THE WALL.

It is recommended that the grommet is pierced with a screwdriver to ensure a better seal.

Fix the unit plate to the wall.

HORIZONTAL MOUNTING (Diagram D).

Position the unit in the desired position based on the location of the incoming power cable.

Using the unit as a template, mark the position of the mounting holes.

Ensure the sensor module and circuit board cover are fitted in the locations shown.

FAILURE TO FIT THE SENSOR COVER CAN COMPROMISE SAFETY LEGISLATION.

Note the "UP" ident on the inside of the wall plate.(Diagram D).

Drill the holes, insert the wall plugs into the holes.

PIERCE AND PASS THE CABLE THROUGH THE GROMMET BEFORE SECURING THE UNIT TO THE WALL.


It is recommended that the grommet is pierced with a screwdriver to ensure a better seal.

Fix the unit to the wall

Remove the cable clamp, feed the incoming cable under the cable clamp and secure. Do not overtighten the cable clamp as it could damage the cable insulation (Diagram E).

CONNECTION

Connect the cable to the terminal block on the unit as follows (see diagram E):

| | |
|----------------------|---|
| NEUTRAL (Blue) | N |
| EARTH (Green/Yellow) |  |
| LIVE (Brown) | L |

Ensure all connections are secure.

Remove the bulb from its packaging and fit into the lampholder. Ensure the bulb is fully secured into the lampholder.

Fit the front cover as reversal of removal.

Fit the sensor aperture cover to the front cover. The sensor aperture cover is an extremely tight fit into the front cover to maintain protection against water. The sensor aperture cover will fit with a loud audible click, and will look similar to the engraved features on the opposite edge.

FAILURE TO FIT THE SENSOR COVER CAN COMPROMISE SAFETY LEGISLATION.

Installation is complete!

SECTION THREE

OPERATION AND TESTING

SETTING UP FOR AUTOMATIC OPERATION

The adjustment controls on the unit (diagram F) should be set as follows.

The **TIME** control determines how long the lamp remains illuminated after activation.

There are 5 designated "time on" settings 0 (or off), 2, 4, 6, 8 hours and dusk/dawn.

These settings allow the lamp to illuminate for the designated time on period after darkness falls and the unit is activated.

If you require the lamp to be illuminated all night, set the time control fully clockwise to "Dusk/Dawn". The unit will then remain on until the following morning when the lux level increases enough to switch the unit off during the day.

The **DUSK (LUX)** control determines the level of darkness required for the unit to start operating.

The setting is best achieved by the procedure below:

Set the DUSK control knob fully anti-clockwise and the Time control to the required number of hours or dusk/dawn (do **not** leave in the 0 (off, fully anti-clockwise) position).

Wait until darkness falls.

When the ambient light level reaches the level of darkness at which you wish the lamp to become operative (ie. At dusk), **SLOWLY** rotate the control in a clockwise direction until a point is reached where the lamp illuminates. Leave the control set at this point.

At this position, the unit should become operative at approximately the same level of darkness each evening. Observe the operation of the unit. If the unit is starting to operate too early (ie. when it is quite light), adjust the control slightly anti-clockwise. If the unit starts to operate too late (ie. only when it is very dark), adjust the control slightly clockwise.

Continue to adjust until the unit operates as desired.

MANUAL OVERRIDE MODE

The light can be switched on for longer time periods by use of the **Manual Override Mode**.

This can be activated at night by using the internal wall switch or circuit breaker supplying the unit.

Please note:- The unit **CANNOT** be operated in Manual Override Mode during daylight hours. If you want to test this function when installing the unit, this test must be carried out after dusk when the unit has become operational.

To activate Manual Override Mode:-

Switch the internal wall switch/circuit breaker once (off/on) within 1 second.

The unit will now illuminate continuously until dawn or until it is switched back into Auto Mode.

To de-activate Manual Override Mode (ie. switch the unit back into Auto Mode):-

Switch the internal wall switch/circuit breaker once (off/on) within one second. The unit will return to its Auto mode and will operate as set up initially.

SECTION FOUR

TECHNICAL SPECIFICATIONS

| | |
|---------------------------------|---|
| Power Supply | 240V AC ~ 50Hz |
| Lamp Type | 240V 18W 4pin (GX2Dq-2) Low Energy lamp |
| Time On | 2, 4, 6, 8 hours from dusk or dusk/dawn |
| Lux Level Adjustment | Day & night or night only operation |
| Environmental Protection | IP44 (suitable for outdoor use) |
| EC Directives | Conforms to 73/23/EEC, 89/336/EEC |

**If you experience problems refer to Troubleshooting Guide.
If problems still exist, do not immediately return the unit to store.**

Telephone the Timeguard Customer Helpline

020 8450 0515

Qualified Customer Support Co-ordinators will be on-line to assist in resolving your query.

NO USER SERVICEABLE PARTS INSIDE

SECTION FIVE

TROUBLESHOOTING GUIDE

PROBLEM

The floodlight will not operate at night.

Unit activates during the daytime.

SOLUTION

The level of ambient light in the area may be too bright to allow operation at the current DUSK setting. During the hours of darkness, adjust the DUSK control slowly clockwise until the lamp illuminates. Refer to previous section for more details.

Adjust the lux setting anti-clockwise to lower the level of ambient light required for activation.



In the unlikely event of this product becoming faulty due to defective material or manufacture, within 1 year of the date of purchase, please return it to your supplier with proof of purchase and it will be replaced free of charge. In the second and third years or any difficulty in the first please contact our helpline on 020 8450 0515.

For assistance with the product please contact:-

HELPLINE

020-8450-0515

or email helpline@timeguard.com



For a product brochure please contact:

Timeguard Ltd.

Victory Park, 400 Edgware Road,
London NW2 6ND Tel: 020-8452-1112
or email csc@timeguard.com

A **theben** Group company

67-058-316 (Iss.1)