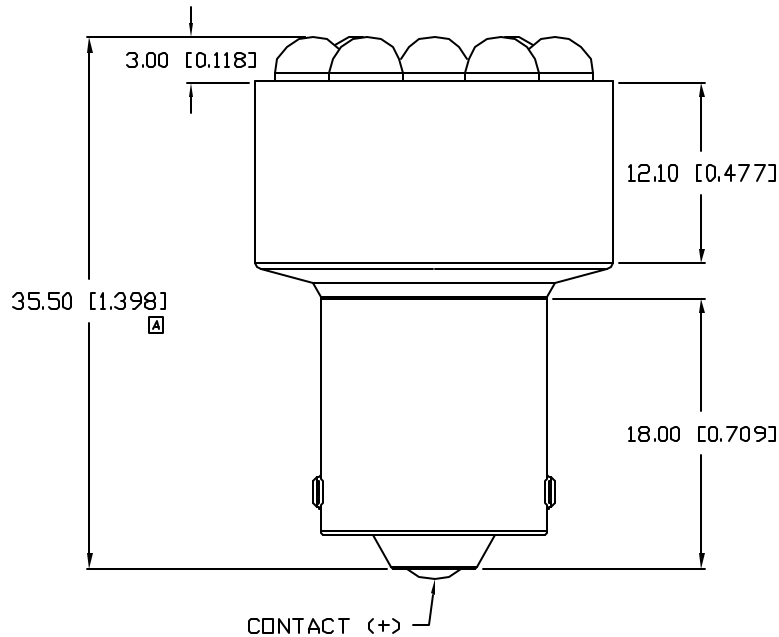
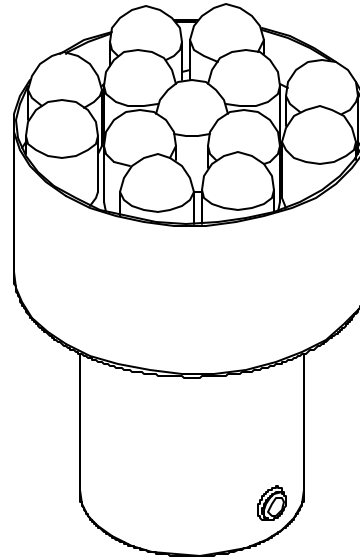
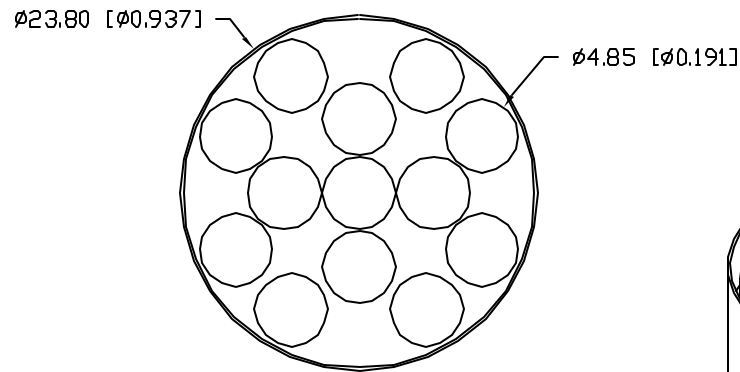


UNCONTROLLED DOCUMENT

PART NUMBER
SSP-13MB153S12G

REV.
A

| REV. | E.C.N. NUMBER AND REVISION COMMENTS | DATE |
|------|-------------------------------------|---------|
| A | E.C.N. #10950. | 1.28.03 |



▣ ELECTRO-OPTICAL CHARACTERISTICS $T_A=25^{\circ}\text{C}$ $V_f=12\text{V}$

| PARAMETER | MIN | TYP | MAX | UNITS | TEST COND |
|--------------------|-------------|-------|-----|----------|----------------------|
| PEAK WAVELENGTH | | 590 | | nm | |
| FORWARD VOLTAGE | | 12.0 | | V_f | |
| REVERSE VOLTAGE | 5.0 | | | V_r | $I_r=100\mu\text{A}$ |
| AXIAL INTENSITY | | 57500 | | mcd | $V_f=12\text{V}$ |
| VIEWING ANGLE | | 30 | | 2x theta | |
| EMITTED COLOR: | YELLOW | | | | |
| EPOXY LENS FINISH: | WATER CLEAR | | | | |

LIMITS OF SAFE OPERATION AT 25°C

| PARAMETER | MAX | UNITS |
|----------------------------------|------------|------------------------------|
| PEAK FORWARD VOLTAGE | 14.0 | V |
| STEADY CURRENT | 90 | mA |
| POWER DISSIPATION | 1,260 | mW |
| DERATE FROM 25°C | -1.2 | $\text{mW}/^{\circ}\text{C}$ |
| OPERATING, STORAGE TEMP. | -40 TO +85 | $^{\circ}\text{C}$ |

*UNLESS OTHERWISE SPECIFIED TOLERANCES PER DECIMAL PRECISION ARE: X-±1 (±0.039), X.X-±0.5 (±0.020), X.XX-±0.25 (±0.010), X.XXX-±0.127 (±0.005), LEAD SIZE-±0.05 (±0.002), LEAD LENGTH-±0.75 (±0.030), MIN- +DECIMAL PRECISION MAX- +0.00 -DECIMAL PRECISION

REV.
A

PART NUMBER
SSP-13MB153S12G

0.94" CIRCULAR, 13 YELLOW LAMP POLYLED,
BA15 BASE, SINGLE CONTACT AUTO BAYONET.

CONFIDENTIAL INFORMATION

THE INFORMATION CONTAINED IN THIS DOCUMENT IS THE PROPERTY OF SUNBRITE LEDS. EXCEPT AS SPECIFICALLY AUTHORIZED IN WRITING BY SUNBRITE LEDS, THE HOLDER OF THIS DOCUMENT SHALL KEEP ALL INFORMATION CONTAINED HEREIN CONFIDENTIAL AND SHALL PROTECT SAME IN WHOLE OR IN PART FROM DISCLOSURE AND DISSEMINATION TO ALL THIRD PARTIES.

RELIABILITY NOTE

OUR MANY YEARS OF EXPERIENCE DATA ACCUMULATION INDICATE THAT SOLDER HEAT IS A MAJOR CAUSE OF EARLY AND FUTURE FAILURE. PLEASE PAY ATTENTION TO YOUR SOLDERING PROCESS.



286 E. HELEN ROAD
PALATINE, IL 60067-6976
PHONE: +1.847.359.2790
FAX: +1.847.359.2867
WEB: www.sunbriteleds.com

DRAWN:
BC

CHECKED:

APPROVED:

DATE: 7.2.01
PAGE: 1 OF 1

UNCONTROLLED DOCUMENT