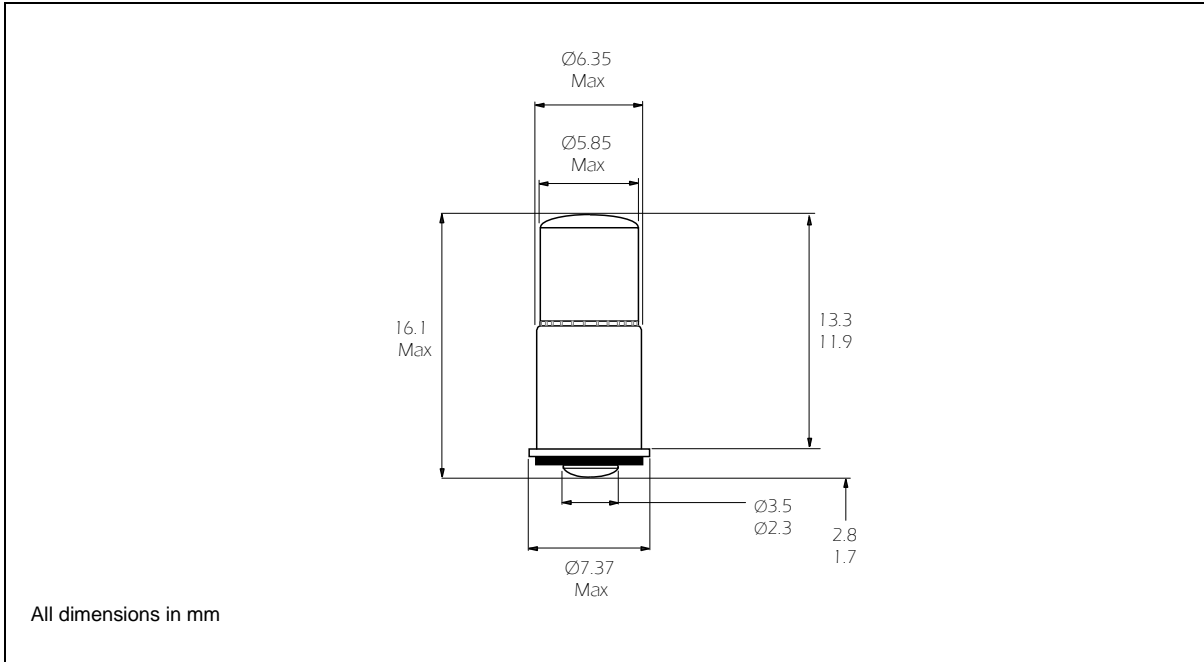


PRODUCT DATA SHEET



T-1 3/4 MIDGET FLANGE LED LAMP	MLED387-6854BR
--------------------------------	----------------



Design Voltage:	VDC	28	
	VAC		
Current Consumption:	mA	13	
Power Consumption	mW	360	
Light Output:	mcd	525	
Viewing Angle:	Degrees	160°	
Colour Appearance:	Warm White		
Colour Temperature:	°K	3300 approx.	
CIE Colour	x	0.415	
Co-ordinates (1931):	y	0.392	
Operating Temperature:	°C	-30 / +85	
Storage Temperature:	°C	-40 / +100	
Life Duration	Hours	50,000	

Notes:

- 1) SX6s nickel-plated base to IEC61-1, data sheet 7004-61-x.
- 2) Lamp shall enter a cylindrical hole (gauge) 13.5mm Min. deep x diameter $\varnothing 6.375 + 0.005\text{mm}$.
- 3) LED type: Warm-White InGaN SMD.
- 4) CIE colour-coordinates according to respective colour bin rankings.
- 5) Operating Voltage: 24~28V bi-polarity.
- 6) Special version for operation at 30VDC to 30.5VDC available upon request.
- 7) Life Duration figure is time to 50% reduction in light output compared to initial value.
- 8) Marking: ~ White plastic reflector body to be ink stamped "ML 28V ± WW"
- 9) RoHS compliant.