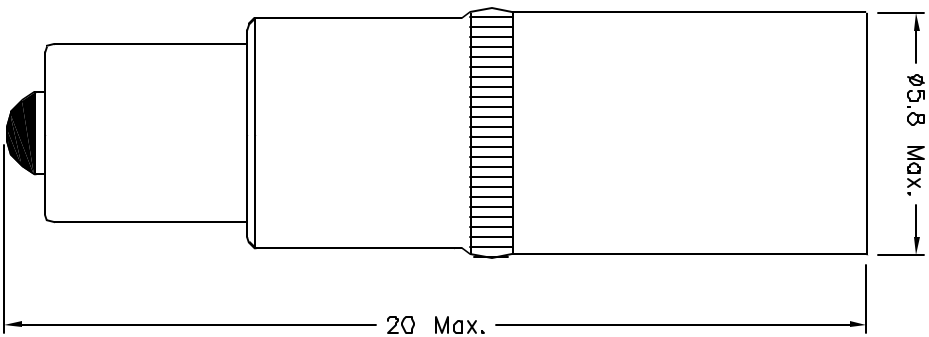


ALL RIGHTS RESERVED. NO PORTION OF THIS PUBLICATION, WHETHER IN WHOLE OR IN PART CAN BE REPRODUCED WITHOUT THE EXPRESS WRITTEN CONSENT OF SPC TECHNOLOGY.

REVISIONS		DOC. NO.	SPC-FD05	Effective:	12/21/88	Doc No.	880
DOP #	REV	DESCRIPTION	DRAWN	DATE	CHECKD	DATE	APPRVD
948	A	RELEASED	HO	3/27/02	JWM	3/27/02	DJC



- Specifications:**
1. Volts: 24 ~ 28 VDC only
  2. Current: 13 ~ 15 mA
  3. Lens Color: Water Clear
  4. Typical Useful Life: 20,000 ~ 40,000 hours
  5. Replaces Incandescent Type: 85

SPC Type No.	Emitted Color & Material	Wave Length peak (nm)	Luminous Intensity Typical:(mcd) (See Note)	Viewing Angle
SPC10546	White	mixed	1270	60°
SPC10547	Red	635	2000	50°
SPC10548	Green	520	3400	45°
SPC10549	Yellow	590	1300	30°

Note: mcd rating are prior to basing of product

**DISCLAIMER**  
 ALL STATEMENTS AND TECHNICAL INFORMATION CONTAINED HEREIN ARE BASED UPON INFORMATION AND/OR TESTS WE BELIEVE TO BE ACCURATE AND RELIABLE. SINCE CONDITIONS OF USE ARE BEYOND OUR CONTROL, THE USER SHALL DETERMINE THE SUITABILITY OF THE PRODUCT FOR THE INTENDED USE AND ASSUME ALL RISK AND LIABILITY WHATSOEVER IN CONNECTION THEREWITH.

UNLESS OTHERWISE SPECIFIED, DIMENSIONS ARE FOR REFERENCE PURPOSES ONLY.

DRAWN BY:	DATE:
HISHAM ODISH	3/27/02
CHECKED BY:	DATE:
JEFF MCVICCKER	3/27/02
APPROVED BY:	DATE:
DANIEL CAREY	3/27/02



**SPC TECHNOLOGY**

DRAWING TITLE:  
**LED, Single Contact Sub Miniature Wedge Base**

SIZE	DWG. NO.	ELECTRONIC FILE	REV
A	TA-512	TA-512.DWG	A
SCALE:	NTS	U.O.M.: Millimeters	SHEET: 1 OF 1