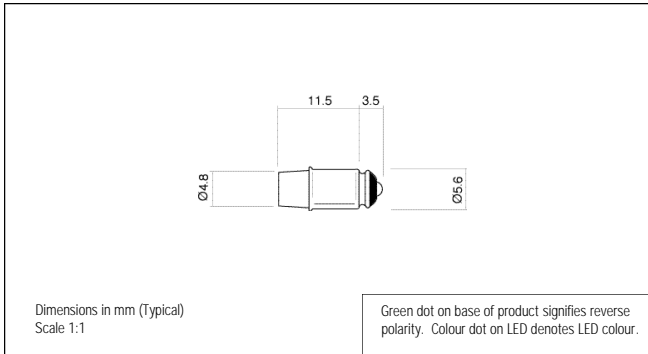
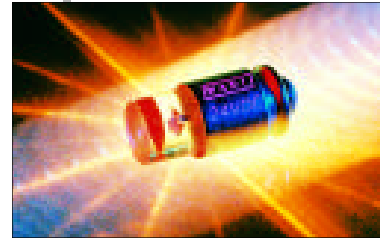


FILAMENT REPLACEMENT LEDs - T1 3/4



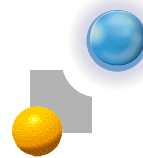
- Direct replacement for T1 3/4 MG S5.7s
- Reverse polarity options
- Centre contact, anode as standard



205 SERIES

MLQ = 20

LEDs



Ordering Information & Typical Technical Characteristics (Ta = 25°C)

Mean Time Between Failure = 100,000 Hours. Luminous intensity figures refer to the unmodified discrete LED.

| PART NUMBER | COLOUR | LENS | VOLTAGE DC Vopr | CURRENT DC Iopr | LUMINOUS INTENSITY Iv@20mA | WAVE LENGTH p | VIEWING ANGLE | OPERATING TEMP Topr | STORAGE TEMP Tstg |
|-----------------------|--------|-------------|-----------------|-----------------|----------------------------|---------------|---------------|---------------------|-------------------|
| HIGH INTENSITY | | | | | | | | | |
| 205-501-04-38 | Red | Water Clear | 1.9* | 20 | 2750 | 660 | Wide | -40 ~ +80 | -40 ~ +80 |
| 205-521-04-38 | Yellow | | 2.0* | 20 | 4500 | 590 | | | |
| 205-532-04-38 | Green | | 3.4* | 20 | 6000 | 525 | | | |
| 205-930-04-38 | Blue | | 3.4* | 20 | 2000 | 470 | | | |
| 205-997-04-38 | White | | 3.4* | 20 | 3000 | • | | | |
| 205-501-20-38 | Red | | 5/6 | 16 | 2750 | 660 | | | |
| 205-521-20-38 | Yellow | | 5/6 | 15 | 4500 | 590 | | | |
| 205-532-20-38 | Green | | 5/6 | 14 | 6000 | 525 | | | |
| 205-930-20-38 | Blue | | 5/6 | 14 | 2000 | 470 | | | |
| 205-997-20-38 | White | | 5/6 | 14 | 3000 | • | | | |
| 205-501-22-38 | Red | | 24 | 20 | 2750 | 660 | | | |
| 205-521-22-38 | Yellow | | 24 | 20 | 4500 | 590 | | | |
| 205-532-22-38 | Green | | 24 | 20 | 6000 | 525 | | | |
| 205-930-22-38 | Blue | | 24 | 20 | 2000 | 470 | | | |
| 205-997-22-38 | White | | 24 | 20 | 3000 | * | | | |
| UNITS | | | | Vdc | mA | mcd | | | |

* = Voltage DC for 20mA product is Vf@20mA, not Vopr

• = Typical emission colour: x=0.31, y=0.32. Colour temperature 8000K.
Intensities (Iv) and colour shades of white (x,y co-ordinates) may vary between LEDs within a batch.

Please note - This product is also available at 12, 28 and 48Vdc. Please contact our Sales department for further details.

FOR NEW PRODUCTS SEE OUR WEBSITE

