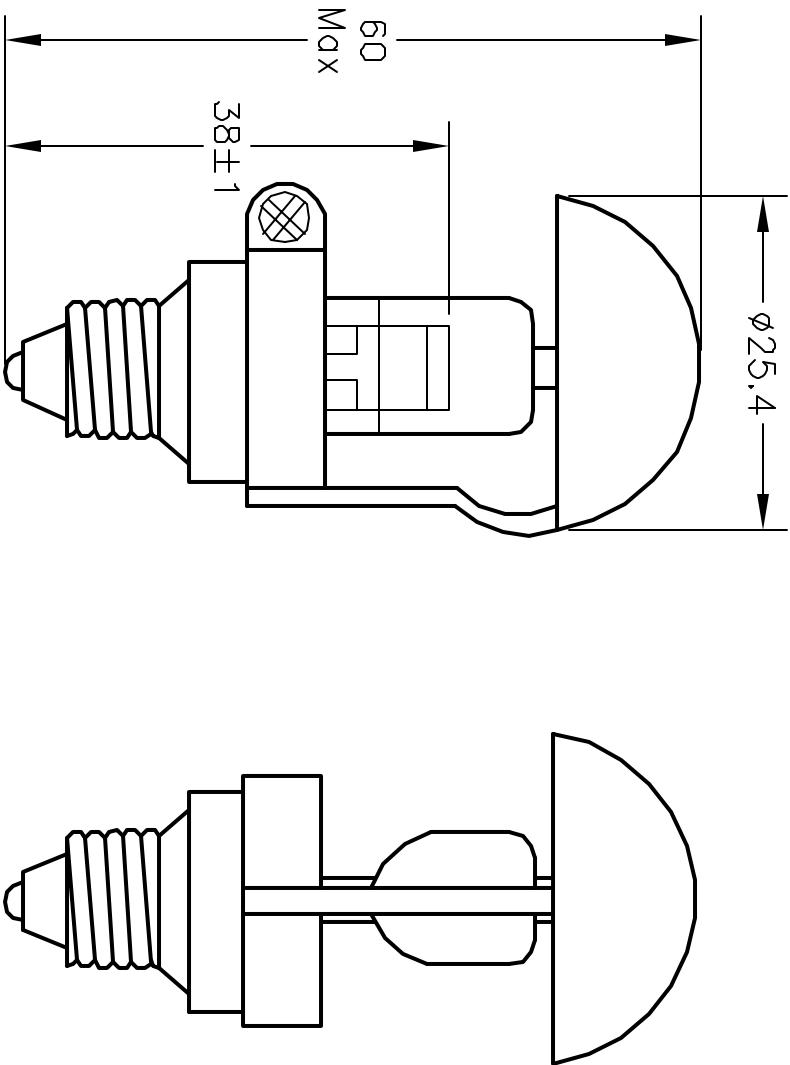


ALL RIGHTS RESERVED. NO PORTION OF THIS PUBLICATION, WHETHER IN WHOLE OR IN PART CAN BE REPRODUCED WITHOUT THE EXPRESS WRITTEN CONSENT OF SPC TECHNOLOGY.

REVISIONS		DOC. NO.	SPC-F005	Effective:	12/21/98	DCP No:	880
DCP #	REV	DESCRIPTION	DRAWN	DATE	CHECKD	DATE	APPRVD
95	A	Released	HYO	12/8/99	JC	12/20/99	DJC



Volts	Watts	Lm	°K	Hr	Base
24	50	900	2900	800	E 11

DISCLAIMER  
 ALL STATEMENTS AND TECHNICAL INFORMATION CONTAINED HEREIN ARE BASED UPON INFORMATION AND/OR TESTS WE BELIEVE TO BE ACCURATE AND RELIABLE. SINCE CONDITIONS OF USE ARE BEYOND OUR CONTROL, THE USER SHALL DETERMINE THE SUITABILITY OF THE PRODUCT FOR THE INTENDED USE AND ASSUME ALL RISK AND LIABILITY WHATSOEVER IN CONNECTION THEREWITH.

**UNLESS OTHERWISE SPECIFIED, DIMENSIONS ARE FOR REFERENCE PURPOSES ONLY.**

DRAWN BY:	DATE:
HISHAM ODISH	12/8/99
CHECKED BY:	DATE:
John Cole	12/20/99
APPROVED BY:	DATE:
Daniel Carey	12/28/99



**SPC TECHNOLOGY**

DRAWING TITLE:

Miniature Lamp

SIZE	DWG. NO.	ELECTRONIC FILE	REV
A	A1-510-01	92N5567.dwg	A
SCALE:	NTS	U.O.M.: Millimeters	SHEET: 1 OF 1