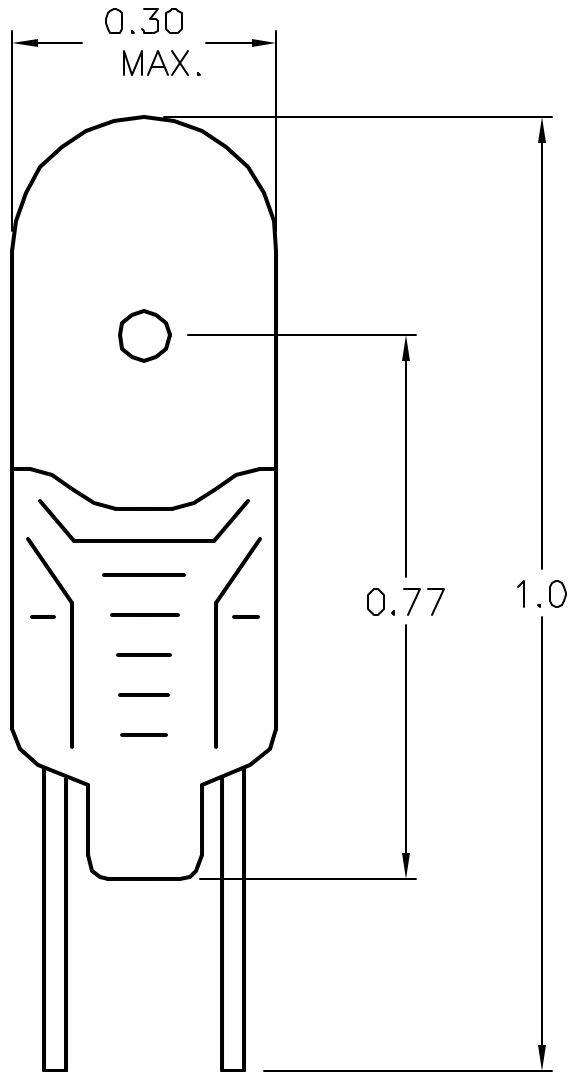


ALL RIGHTS RESERVED. NO PORTION OF THIS PUBLICATION, WHETHER IN WHOLE OR IN PART CAN BE REPRODUCED WITHOUT THE EXPRESS WRITTEN CONSENT OF SPC TECHNOLOGY.

REVISIONS			DOC. NO. SPC-F004 * Effective: 12/21/00 * DCP No: 680					
DCP #	REV	DESCRIPTION	DRAWN	DATE	CHECKD	DATE	APPRVD	DATE
95	A	RELEASED	HYD	6/8/00	JC	11/22/00	DJC	12/1/00



VOLTS	AMPS	WATTS	MSCP	FILAMENT	LIFE - HRS.
6	3.33	19.98	32	C-6	100

NOTE:
THIS IS A HALOGEN LAMP AND MAY SHATTER UNDER PRESSURE.
PLEASE USE EXTREME CAUTION WHEN HANDLING.

SPC-F004.DWG

DISCLAIMER:
ALL STATEMENTS AND TECHNICAL INFORMATION CONTAINED HEREIN ARE BASED UPON INFORMATION AND/OR TESTS WE BELIEVE TO BE ACCURATE AND RELIABLE. SINCE CONDITIONS OF USE ARE BEYOND OUR CONTROL, THE USER SHALL DETERMINE THE SUITABILITY OF THE PRODUCT FOR THE INTENDED USE AND ASSUME ALL RISK AND LIABILITY WHATSOEVER IN CONNECTION THEREWITH.



SPC TECHNOLOGY

UNLESS OTHERWISE SPECIFIED, DIMENSIONS ARE FOR REFERENCE PURPOSES ONLY.	DRAWN BY:	DATE:	DRAWING TITLE:			
	HISHAM ODISH	6/8/00	T 2-1/4 G4 BI-PIN MINIATURE LAMP			
	CHECKED BY:	DATE:	SIZE	DWG. NO.	ELECTRONIC FILE	REV
	JOHN COLE	11/22/00	A	788	92N5580.DWG	A
APPROVED BY:	DATE:	SCALE:	U.O.M.: INCHES	SHEET: 1 OF 1		
DANIEL CAREY	12/1/00	NTS	U.O.M.: INCHES	SHEET: 1 OF 1		