



SPC
TECHNOLOGY

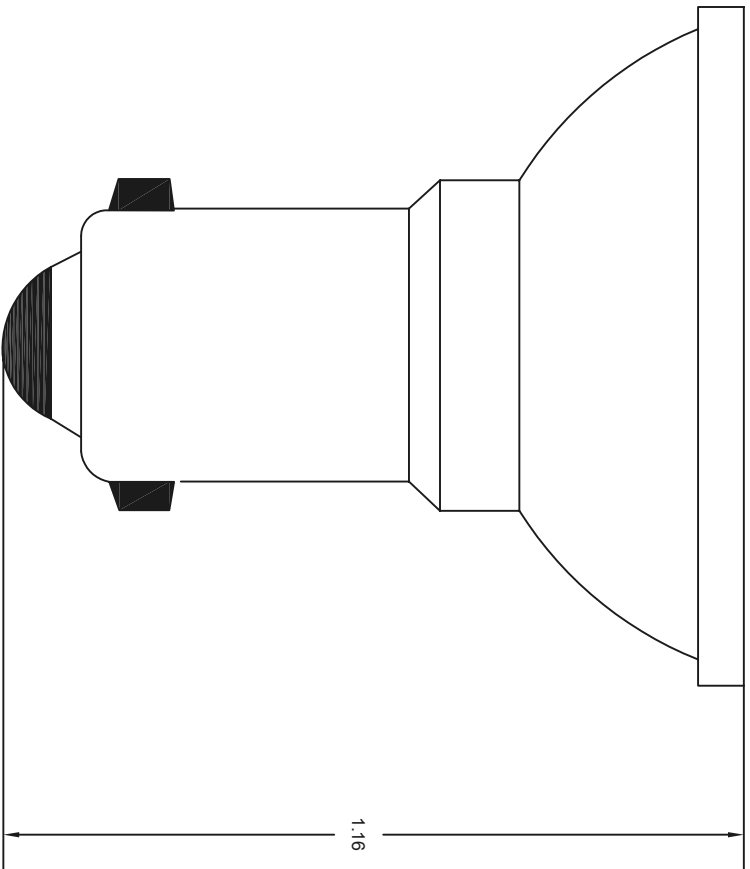
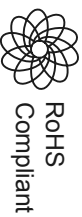
ALL RIGHTS RESERVED. NO PORTION OF THIS PUBLICATION, WHETHER IN WHOLE OR IN PART CAN BE REPRODUCED WITHOUT THE EXPRESS WRITTEN CONSENT OF SPC TECHNOLOGY.

SPC-F005.DWG

REVISIONS

DCP #	REV	DESCRIPTION	DRAWN	DATE	CHECKD	DATE	APPRVD	DATE
			VEE	01-08-10	JAG	02-08-10		16-08-10

DOC. NO. SPC-F005 * Effective: 7/8/02 * DCP No: 1398



Dimensions : Millimetres

Specifications:

- 1. Volts : 12
- 2. Amps : 0.17
- 3. Watts : 2
- 4. EFC : 2000
- 5. Filament : C-2F
- 6. Life : 12000 hours

Part Number Table

Description	Part Number
T-2 Miniature Bayonet Base Lamp	12RB

TOLERANCES:

UNLESS OTHERWISE SPECIFIED, DIMENSIONS ARE FOR REFERENCE PURPOSES ONLY.

DRAWN BY: VEE DATE: 01-08-10

CHECKED BY: JAG DATE: 02-08-10

APPROVED BY: XXX DATE: 16-08-10

DRAWING TITLE:

T-2 Miniature Bayonet Base Lamp

SIZE: XXX DWG. NO. XXX

SCALE: NTS

U.O.M.: INCHES [mm]

ELECTRONIC FILE

50N174

SHEET: 1 OF 1

REV A

DISCLAIMER:
ALL STATEMENTS AND TECHNICAL INFORMATION CONTAINED HEREIN ARE BASED UPON INFORMATION AND/OR TESTS WE BELIEVE TO BE ACCURATE AND RELIABLE. SINCE CONDITIONS OF USE ARE BEYOND OUR CONTROL, THE USER SHALL DETERMINE THE SUITABILITY OF THE PRODUCT FOR THE INTENDED USE AND ASSUME ALL RISK AND LIABILITY WHATSOEVER IN CONNECTION THEREWITH.