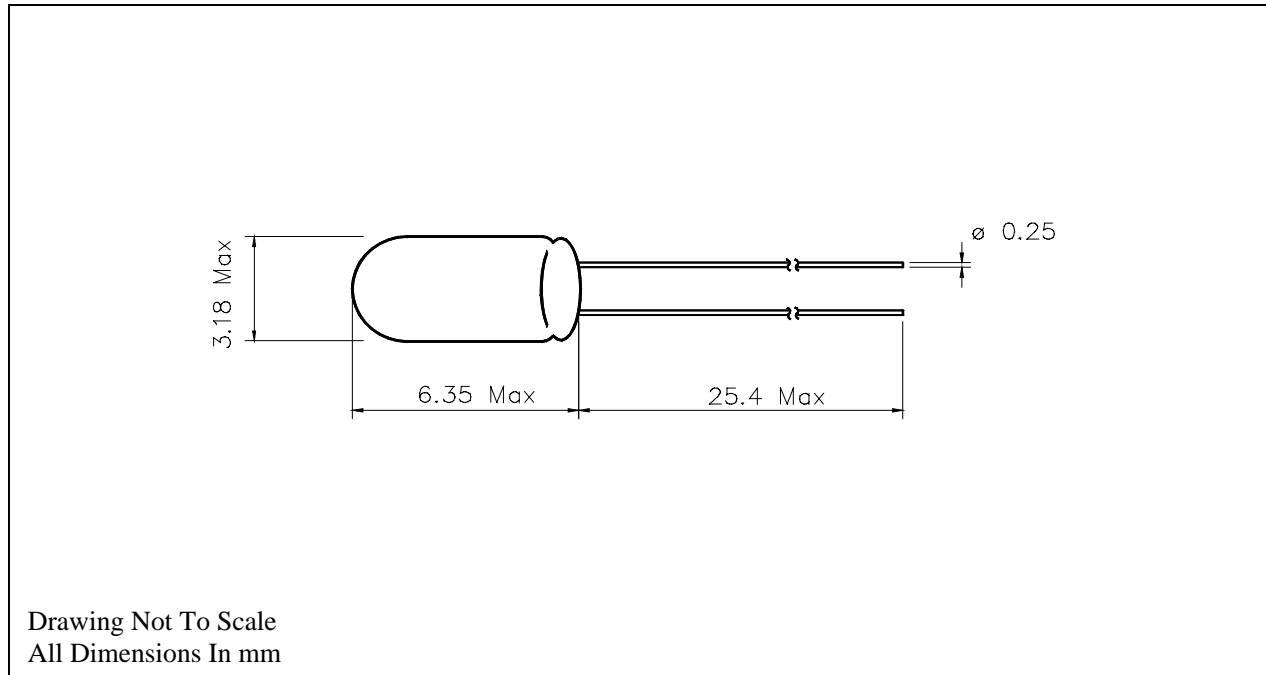


**PRODUCT
DATA SHEET**

Type	Size	Rating	Description	Part No.
Incandescent	T3	5V 0.06A	T-1 Wire Terminal Lamp	680



PHOTOMETRY DATA

TEST VOLTS	CURRENT (mA)			LIGHT OUTPUT (Lm)			LIFE (Hours)
	Min.	Nom.	Max.	Min.	Nom.	Max.	
5.0	54	60	66	0.28	0.38	0.48	60,000

NOTES:

- 1) C-2R filament shape.
- 2) Lead wires 0.25mm diameter x 25.4mm MIN. long, with tinned finish.
- 3) Other lead wire lengths to be supplied according to the purchase order.

Issue No.	Date	C.N. No.	Drawn	Tech	QA	M & P	Sales
1	15/01/02		BCW	Approved			