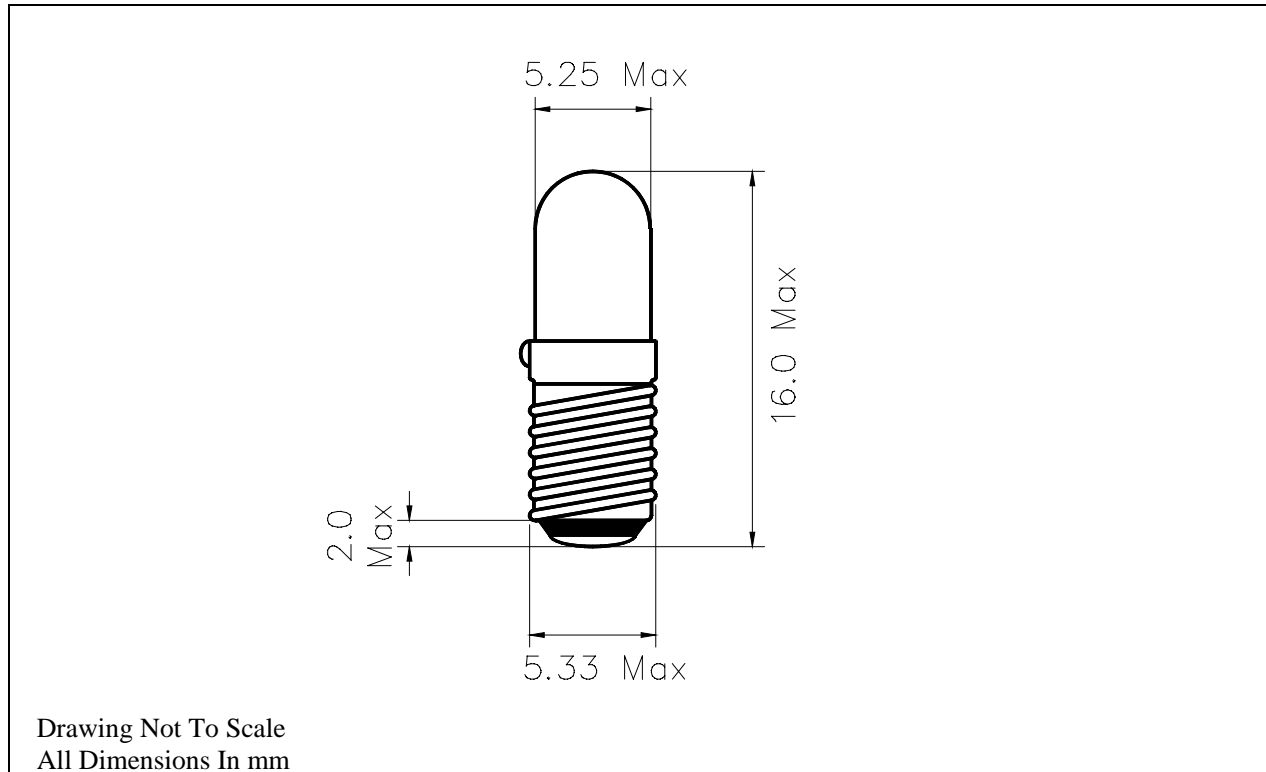


**PRODUCT
DATA SHEET**

Type	Size	Rating	Description	Part No.
Incandescent	T5	24V 0.04A	T-1½ Midget Screw Lamp	687



PHOTOMETRY DATA

TEST VOLTS	CURRENT (mA)			LIGHT OUTPUT (Lm)			LIFE (Hours)
	Min.	Nom.	Max.	Min.	Nom.	Max.	
24.0	36	40	44	2.2	3.0	3.8	10,000

NOTES:

- 1) Lamp Base E5 (LES) in accordance with IEC61-1 (BS EN 60061-1, sheet 7004-25-x).
- 2) C-2F filament shape.
- 3) Lamp Marking: "VCH 687 24V 40mA", to be engraved or durably ink stamped on the cap.

Issue No.	Date	C.N. No.	Drawn	Tech	QA	M & P	Sales
1	21/5/98		NR				