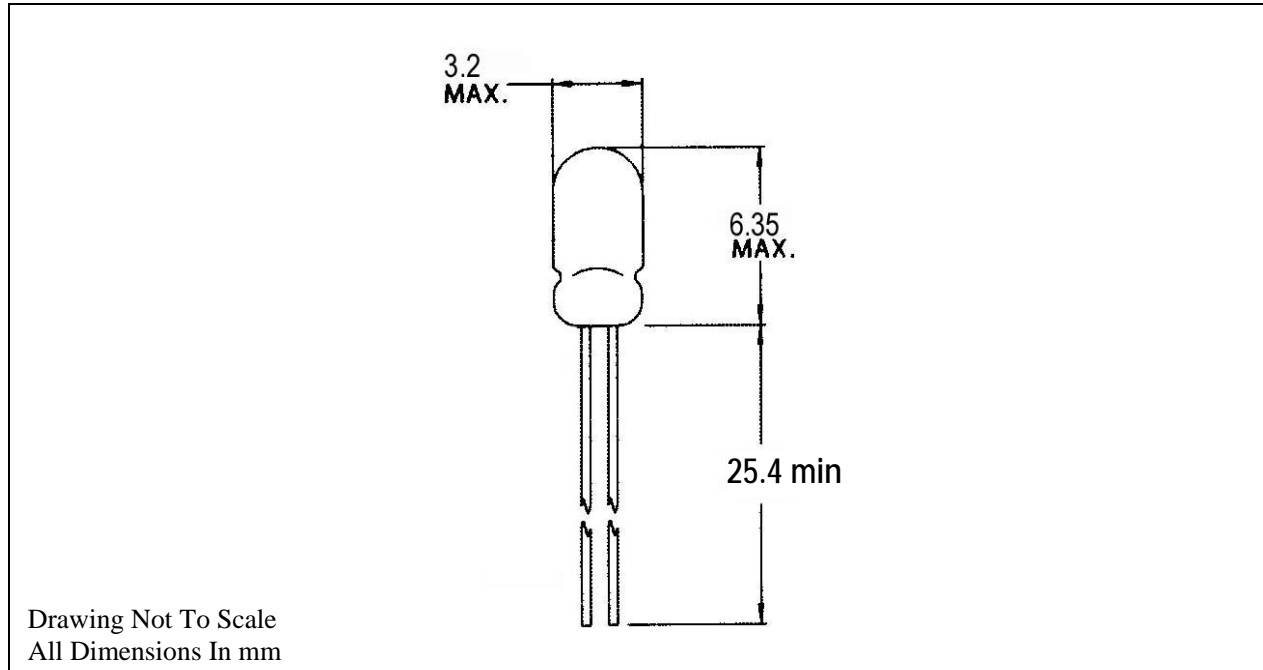


**PRODUCT  
DATA SHEET**

Type	Size	Rating	Description	Part No.
Incandescent	T3	28V 24mA	T-1 Wire Terminal Lamp	6838



**PHOTOMETRY DATA**

TEST VOLTS	CURRENT (mA)			LIGHT OUTPUT (Lm)			LIFE (Hours)
	Min.	Nom.	Max.	Min.	Nom.	Max.	
28.0	21.6	24.0	26.4	1.4	1.9	2.4	4,000

**NOTES:**

- 1) CC-2F Filament shape
- 2) Lead wires 0.25mm diameter, with tinned finish.

Issue No.	Date	C.N. No.	Drawn	Tech	QA	Sales
3	06/06/07	-	BCW		Approved	